



ECN KORN'S

ROBROY INDUSTRIES

PRICE GUIDE

COUPLINGS

- Galvanized
- Aluminum

ELBOWS

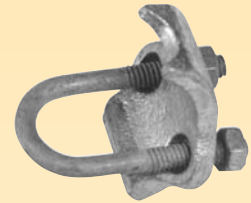
- Galvanized
- EMT
- IMC
- Aluminum

NIPPLES

- Galvanized
- Aluminum

CLAMPS

The Original
"KORN'S CLAMP"



- Right Angle (RA) Conduit Supports
- Edge Type (ET) Conduit Supports
- One Hole Straps
- Clampback Spacers
- U-Bolts
- SS Hardware
- Parallels (PAR)
- Beam Clamps

Manufacturers UPC #784011

Price List
Catalog F-166

Effective August 15, 2006
Supersedes all previous



ROBROY CONDUIT PIPE FITTINGS

TERMS AND CONDITIONS OF SALE

TRADE DISCOUNTS - Prices shown are list prices. Contact your ECN/KORNS sales representative for trade discounts.

TERMS - 2% 10th prox. Net 25 days.

FREIGHT - All shipments are made F.O.B. carrier's equipment Avinger, TX or other shipping point, where title passes to purchaser upon receipt of goods by carrier. Freight prepaid to destination. All shipments less than \$1000 net price will be made freight collect or prepaid and charged on face of invoice. All Galvanized Fittings products (conduits, elbows, couplings and Korns) may be combined to qualify for freight allowed shipments. Routing method and carrier will be determined by ROBROY INDUSTRIES and any expense incurred by buyer's deviation or direction will be for buyer's account. Alaskan, Hawaiian, and export shipments are F.A.S. port of embarkation with all unloading charges and wharfage to be billed to buyer. All shipments subject to price in effect at time of shipment.

SPECIAL PACKAGING - A minimum charge of 2½% will be added to list price for any special packaging and/or marking beyond our regular commercial practice.

MINIMUM CHARGE - \$100.00 net.

DAMAGE OR LOSS IN TRANSPORTATION CLAIMS - All shipments are made F.O.B. carrier's equipment Avinger, TX or other shipping point, where title passes to purchaser upon pick-up. Consignee should file claim for loss or damage with transportation company immediately upon receipt of goods.

CHANGE OF PRICE - All prices and/or quotations are subject to change without notice, and all material will be invoiced at prices in effect on date of shipment.

ACCEPTANCE - Orders do not become binding upon the company unless and until they are accepted by the General Manager.

SHORTAGE CLAIMS - No shortage claims will be recognized unless such shortage is reported to our Avinger, TX office within ten (10) days from receipt of shipment at destination.

SPECIAL ITEMS - Certain items on this price sheet are non-standard and are noncancelable and nonreturnable.

RETURN OF GOODS - No material will be taken back and credited or replaced unless arrangements for such return have previously been made with the home office of ROBROY INDUSTRIES. Certain conditions for return may apply.

GUARANTEE - All material is guaranteed to be free from defects in materials and workmanship for a period of one year from date of shipment to the distributor. ROBROY INDUSTRIES liability shall be only to the extent of replacement of defective parts. ROBROY INDUSTRIES MAKES NO OTHER WARRANTIES WHETHER EXPRESSED OR IMPLIED.



CONDUIT DIVISION
3159 Wilkes Power Plant Rd.
Avinger, Texas 75630
Telephone: 903/562-1342
Fax: 903/562-1711



RIGID STEEL COUPLINGS AND ELBOWS • PRICE GUIDE

UL Listed and Labeled

RIGID STEEL CONDUIT GALVANIZED COUPLINGS

CATALOG NUMBER	DESCRIPTION	WEIGHT PER 100 PIECES (lbs)	STANDARD CARTON	LIST PRICE PER 100 PIECES
GALCPLG1/2	1/2" GALVANIZED COUPLINGS	12	100	289.19
GALCPLG3/4	3/4" GALVANIZED COUPLINGS	18	50	355.02
GALCPLG1	1" GALVANIZED COUPLINGS	31	50	525.83
GALCPLG1-1/4	1-1/4" GALVANIZED COUPLINGS	40	50	657.41
GALCPLG1-1/2	1-1/2" GALVANIZED COUPLINGS	52	50	830.19
GALCPLG2	2" GALVANIZED COUPLINGS	73	20	1,097.27
GALCPLG2-1/2	2-1/2" GALVANIZED COUPLINGS	179	12	2,717.68
GALCPLG3	3" GALVANIZED COUPLINGS	221	12	3,518.73
GALCPLG3-1/2	3-1/2" GALVANIZED COUPLINGS	355	12	4,718.38
GALCPLG4	4" GALVANIZED COUPLINGS	313	12	4,738.56
GALCPLG5	5" GALVANIZED COUPLINGS	432	BLK	10,934.91
GALCPLG6	6" GALVANIZED COUPLINGS	730	BLK	15,183.51

UL Listed and Labeled

RIGID CONDUIT STANDARD RADIUS ELBOWS

CATALOG NUMBER	DESCRIPTION	WEIGHT PER 100 PIECES (lbs)	STANDARD CARTON	LIST PRICE PER 100 PIECES	RADIUS
GALELB1/2X90	1/2X90 GALVANIZED ELBOWS	75	50	1,181.27	4.25"
GALELB3/4X90	3/4X90 GALVANIZED ELBOWS	109	50	1,234.07	4.50"
GALELB1X90	1X90 GALVANIZED ELBOWS	189	25	1,892.25	5.75"
GALELB1-1/4X90	1-1/4X90 GALVANIZED ELBOWS	303	10	2,596.34	7.25"
GALELB1-1/2X90	1-1/2X90 GALVANIZED ELBOWS	416	15	3,218.71	8.25"
GALELB2X90	2X90 GALVANIZED ELBOWS	635	10	4,647.00	9.50"
GALELB2-1/2X90	2-1/2X90 GALVANIZED ELBOWS	1217	BLK	8,654.89	10.50"
GALELB3X90	3X90 GALVANIZED ELBOWS	1801	BLK	12,004.29	13.00"
GALELB3-1/2X90	3-1/2X90 GALVANIZED ELBOWS	2684	BLK	18,990.53	15.00"
GALELB4X90	4X90 GALVANIZED ELBOWS	3166	BLK	21,528.87	16.00"
GALELB5X90	5X90 GALVANIZED ELBOWS	6339	BLK	59,555.33	24.00"
GALELB6X90	6X90 GALVANIZED ELBOWS	10575	BLK	89,612.45	30.00"
GALELB1/2X45	1/2X45 GALVANIZED ELBOWS	64	50	1,181.27	4.25"
GALELB3/4X45	3/4X45 GALVANIZED ELBOWS	93	50	1,234.07	4.50"
GALELB1X45	1X45 GALVANIZED ELBOWS	161	25	1,892.25	5.75"
GALELB1-1/4X45	1-1/4X45 GALVANIZED ELBOWS	258	10	2,596.34	7.25"
GALELB1-1/2X45	1-1/2X45 GALVANIZED ELBOWS	354	15	3,218.71	8.25"
GALELB2X45	2X45 GALVANIZED ELBOWS	540	10	4,647.00	9.50"
GALELB2-1/2X45	2-1/2X45 GALVANIZED ELBOWS	1034	BLK	8,654.89	10.50"
GALELB3X45	3X45 GALVANIZED ELBOWS	1531	BLK	12,004.29	13.00"
GALELB3-1/2X45	3-1/2X45 GALVANIZED ELBOWS	2281	BLK	18,990.53	15.00"
GALELB4X45	4X45 GALVANIZED ELBOWS	2691	BLK	21,528.87	16.00"
GALELB5X45	5X45 GALVANIZED ELBOWS	5388	BLK	59,555.33	24.00"
GALELB6X45	6X45 GALVANIZED ELBOWS	8989	BLK	89,612.45	30.00"

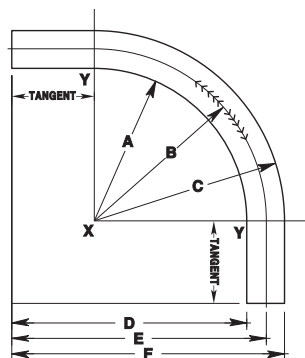
NOTE: Weights shown are approximate for 90° elbows. To arrive at weights for 45° elbows deduct 15%.

Sizes 2-1/2 " and larger shipped in palletized cartons or bulk, thread protectors each end and ECN/Korns identifying label.

CONDUIT 90° STANDARD RADIUS ELBOWS • CONDUIT THREAD AND COUPLING DIMENSIONS

CONDUIT 90° STANDARD RADIUS ELBOWS

All dimensions are approximate.



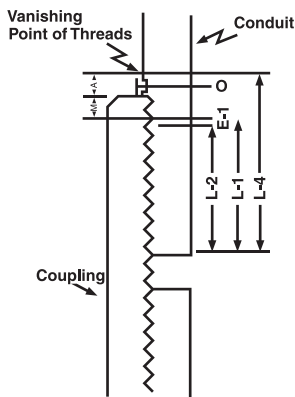
Large Radius Conduit Elbows

Nom- inal Size (in.)	Diameters		Unbent Length (in.)	Radii			Offset			Tan- gent (in.)	Steel Approx. Weight per 100 Pieces (lbs.)
	External (in.)	Internal (in.)		A (in.)	B (in.)	C (in.)	D (in.)	E (in.)	F (in.)		
½	.840	.622	11¼	3.83	4.25	4.67	6.08	6.50	6.92	2.25	75
¾	1.050	.824	12½	3.98	4.50	5.03	6.73	7.25	7.78	2.75	111
1	1.315	1.049	14¾	5.09	5.75	6.41	8.00	8.625	9.285	2.875	195
1¼	1.660	1.380	17¾	6.42	7.25	8.08	9.607	10.437	11.267	3.187	320
1½	1.900	1.610	19¾	7.30	8.25	9.20	10.675	11.625	12.575	3.375	423
2	2.375	2.067	22½	8.31	9.50	10.69	12.123	13.313	14.50	3.813	671
2½	2.875	2.469	28	9.06	10.50	11.94	14.81	16.25	17.69	5.753	1,288
3	3.500	3.068	32	11.25	13.00	14.75	17.00	18.75	20.50	5.753	1,926
3½	4.000	3.548	39½	13.00	15.00	17.00	20.97	22.97	24.97	7.96	2,853
4	4.500	4.026	39½	13.75	16.00	18.25	20.93	23.18	25.43	7.18	3,373
5	5.563	5.047	59½	21.22	24.00	26.78	32.12	34.90	37.68	10.90	7,388
6	6.625	6.065	76	26.68	30.00	33.31	40.13	43.44	46.75	14.44	12,287

CONDUIT THREAD AND COUPLING DIMENSIONS

*Couplings are straight tapped.

Tolerance, thread length= ±1 thread. Plus or minus 1 turn is the maximum variation permitted from the gaging face of the working thread gages. This is equivalent to plus or minus 1 and 1/2 turns from basic dimensions, since a variation of plus or minus 1/2 turn from basic dimensions is permitted in working gages.



Nom- inal Size	Conduit		Threads				Coupling*		
	Threads per Inch	Length From End of Pipe to Hand- Tight Plane	Effective Length	Total Length of Threads to Vanish Point	Pitch Diameter		Length from Hand- Tight Plane to Face Coupling	Dia. of Counter- sink	Hand- Tight Stand Off Basic Inches
					At End of Thread 3/4" Taper per Ft.	At Hand- Tight Plane			
½	14	.5658	.5337	.7815	.7584	.7938	.1086	.840	1½
¾	14	.5778	.5457	.7935	.9677	1.0038	.1086	1.050	1½
1	11½	.7217	.6828	.9845	1.2136	1.2587	.1323	1.315	1½
1¼	11½	.7457	.7068	1.0085	1.5571	1.6037	.1323	1.660	1½
1½	11½	.7624	.7235	1.0252	1.7961	1.8437	.1323	1.900	1½
2	11½	.7954	.7565	1.0582	2.2690	2.3187	.1323	2.375	1½
2½	8	1.1935	1.1375	1.5712	2.7195	2.7941	.1902	2.875	1½
3	8	1.2560	1.2000	1.6337	3.3406	3.4191	.1902	3.500	1½
3½	8	1.3060	1.2500	1.6837	3.8375	3.9191	.1902	4.000	1½
4	8	1.3560	1.3000	1.7337	4.3344	4.4191	.1902	4.500	1½
5	8	1.4623	1.4063	1.8400	5.3907	5.4821	.1902	5.563	1½
6	8	1.5685	1.5125	1.9462	6.4461	6.5441	.1902	6.625	1½



GALVANIZED SPECIAL RADIUS ELBOWS • PRICE GUIDE

UL Listed and Labeled

GALVANIZED SPECIAL RADIUS ELBOWS (Factory Mandrel Tested)

CATALOG NUMBER	DESCRIPTION	APP WEIGHT (lbs)	STANDARD CARTON	LIST PRICE EACH
GALELB3/4X90X12	3/4X90X12 LG RADIUS GALVANIZED ELBOW	4	BLK	67.60
GALELB1X90X12	1X90X12 LG RADIUS GALVANIZED ELBOW	4	BLK	67.60
GALELB1-1/4X90X12	1-1/4X90X12 LG RADIUS GALVANIZED ELBOW	4	BLK	77.18
GALELB1-1/2X90X12	1-1/2X90X12 LG RADIUS GALVANIZED ELBOW	7	BLK	92.46
GALELB2X90X12	2X90X12 LG RADIUS GALVANIZED ELBOW	9	BLK	108.90
GALELB2-1/2X90X12	2-1/2X90X12 LG RADIUS GALVANIZED ELBOW	15	BLK	138.48
GALELB1X90X15	1X90X15 LG RADIUS GALVANIZED ELBOW	5	BLK	85.10
GALELB1-1/4X90X15	1-1/4X90X15 LG RADIUS GALVANIZED ELBOW	7	BLK	99.69
GALELB1-1/2X90X15	1-1/2X90X15 LG RADIUS GALVANIZED ELBOW	8	BLK	102.70
GALELB2X90X15	2X90X15 LG RADIUS GALVANIZED ELBOW	11	BLK	120.40
GALELB2-1/2X90X15	2-1/2X90X15 LG RADIUS GALVANIZED ELBOW	18	BLK	174.70
GALELB3X90X15	3X90X15 LG RADIUS GALVANIZED ELBOW	23	BLK	231.06
GALELB1X90X18	1X90X18 LG RADIUS GALVANIZED ELBOW	6	BLK	85.98
GALELB1-1/4X90X18	1-1/4X90X18 LG RADIUS GALVANIZED ELBOW	8	BLK	97.46
GALELB1-1/2X90X18	1-1/2X90X18 LG RADIUS GALVANIZED ELBOW	10	BLK	113.81
GALELB2X90X18	2X90X18 LG RADIUS GALVANIZED ELBOW	13	BLK	143.19
GALELB2-1/2X90X18	2-1/2X90X18 LG RADIUS GALVANIZED ELBOW	21	BLK	197.83
GALELB3X90X18	3X90X18 LG RADIUS GALVANIZED ELBOW	25	BLK	249.69
GALELB3-1/2X90X18	3-1/2X90X18 LG RADIUS GALVANIZED ELBOW	34	BLK	352.98
GALELB4X90X18	4X90X18 LG RADIUS GALVANIZED ELBOW	38	BLK	394.40
GALELB1X90X24	1X90X24 LG RADIUS GALVANIZED ELBOW	8	BLK	113.90
GALELB1-1/4X90X24	1-1/4X90X24 LG RADIUS GALVANIZED ELBOW	11	BLK	124.88
GALELB1-1/2X90X24	1-1/2X90X24 LG RADIUS GALVANIZED ELBOW	13	BLK	134.33
GALELB2X90X24	2X90X24 LG RADIUS GALVANIZED ELBOW	17	BLK	175.50
GALELB2-1/2X90X24	2-1/2X90X24 LG RADIUS GALVANIZED ELBOW	27	BLK	239.13
GALELB3X90X24	3X90X24 LG RADIUS GALVANIZED ELBOW	35	BLK	314.45
GALELB3-1/2X90X24	3-1/2X90X24 LG RADIUS GALVANIZED ELBOW	40	BLK	415.91
GALELB4X90X24	4X90X24 LG RADIUS GALVANIZED ELBOW	45	BLK	444.57
GALELB1X90X30	1X90X30 LG RADIUS GALVANIZED ELBOW	9	BLK	112.20
GALELB1-1/4X90X30	1-1/4X90X30 LG RADIUS GALVANIZED ELBOW	13	BLK	145.29
GALELB1-1/2X90X30	1-1/2X90X30 LG RADIUS GALVANIZED ELBOW	15	BLK	169.21
GALELB2X90X30	2X90X30 LG RADIUS GALVANIZED ELBOW	20	BLK	215.14
GALELB2-1/2X90X30	2-1/2X90X30 LG RADIUS GALVANIZED ELBOW	32	BLK	278.75
GALELB3X90X30	3X90X30 LG RADIUS GALVANIZED ELBOW	42	BLK	365.60
GALELB3-1/2X90X30	3-1/2X90X30 LG RADIUS GALVANIZED ELBOW	50	BLK	478.14
GALELB4X90X30	4X90X30 LG RADIUS GALVANIZED ELBOW	55	BLK	536.49
GALELB5X90X30	5X90X30 LG RADIUS GALVANIZED ELBOW	77	BLK	689.29
GALELB1X90X36	1X90X36 LG RADIUS GALVANIZED ELBOW	11	BLK	127.18
GALELB1-1/4X90X36	1-1/4X90X36 LG RADIUS GALVANIZED ELBOW	15	BLK	155.32
GALELB1-1/2X90X36	1-1/2X90X36 LG RADIUS GALVANIZED ELBOW	18	BLK	195.08
GALELB2X90X36	2X90X36 LG RADIUS GALVANIZED ELBOW	24	BLK	226.87
GALELB2-1/2X90X36	2-1/2X90X36 LG RADIUS GALVANIZED ELBOW	38	BLK	325.75
GALELB3X90X36	3X90X36 LG RADIUS GALVANIZED ELBOW	49	BLK	409.30
GALELB3-1/2X90X36	3-1/2X90X36 LG RADIUS GALVANIZED ELBOW	58	BLK	558.51
GALELB4X90X36	4X90X36 LG RADIUS GALVANIZED ELBOW	65	BLK	580.04
GALELB5X90X36	5X90X36 LG RADIUS GALVANIZED ELBOW	91	BLK	1042.80
GALELB6X90X36	6X90X36 LG RADIUS GALVANIZED ELBOW	123	BLK	1145.66



GALVANIZED SPECIAL RADIUS ELBOWS • PRICE GUIDE

GALVANIZED SPECIAL RADIUS ELBOWS (Factory Mandrel Tested)

CATALOG NUMBER	DESCRIPTION	APP WEIGHT (lbs)	STANDARD CARTON	LIST PRICE EACH
GALELB1X90X42	1X90X42 LG RADIUS GALVANIZED ELBOW	12	BLK	149.99
GALELB1-1/4X90X42	1-1/4X90X42 LG RADIUS GALVANIZED ELBOW	16	BLK	182.04
GALELB1-1/2X90X42	1-1/2X90X42 LG RADIUS GALVANIZED ELBOW	19	BLK	216.61
GALELB2X90X42	2X90X42 LG RADIUS GALVANIZED ELBOW	26	BLK	275.36
GALELB2-1/2X90X42	2-1/2X90X42 LG RADIUS GALVANIZED ELBOW	41	BLK	361.68
GALELB3X90X42	3X90X42 LG RADIUS GALVANIZED ELBOW	53	BLK	473.32
GALELB3-1/2X90X42	3-1/2X90X42 LG RADIUS GALVANIZED ELBOW	63	BLK	622.73
GALELB4X90X42	4X90X42 LG RADIUS GALVANIZED ELBOW	70	BLK	764.87
GALELB5X90X42	5X90X42 LG RADIUS GALVANIZED ELBOW	98	BLK	1297.86
GALELB6X90X42	6X90X42 LG RADIUS GALVANIZED ELBOW	133	BLK	1366.51
GALELB1X90X48	1X90X48 LG RADIUS GALVANIZED ELBOW	14	BLK	167.19
GALELB1-1/4X90X48	1-1/4X90X48 LG RADIUS GALVANIZED ELBOW	18	BLK	202.66
GALELB1-1/2X90X48	1-1/2X90X48 LG RADIUS GALVANIZED ELBOW	22	BLK	241.44
GALELB2X90X48	2X90X48 LG RADIUS GALVANIZED ELBOW	29	BLK	312.02
GALELB2-1/2X90X48	2-1/2X90X48 LG RADIUS GALVANIZED ELBOW	46	BLK	427.95
GALELB3X90X48	3X90X48 LG RADIUS GALVANIZED ELBOW	61	BLK	537.89
GALELB3-1/2X90X48	3-1/2X90X48 LG RADIUS GALVANIZED ELBOW	72	BLK	703.49
GALELB4X90X48	4X90X48 LG RADIUS GALVANIZED ELBOW	80	BLK	862.97
GALELB5X90X48	5X90X48 LG RADIUS GALVANIZED ELBOW	112	BLK	1377.71
GALELB6X90X48	6X90X48 LG RADIUS GALVANIZED ELBOW	152	BLK	1411.20
GALELB1-1/2X90X60	1-1/2X90X60 LG RADIUS GALVANIZED ELBOW	21	BLK	514.49
GALELB2X90X60	2X90X60 LG RADIUS GALVANIZED ELBOW	31	BLK	605.28
GALELB2-1/2X90X60	2-1/2X90X60 LG RADIUS GALVANIZED ELBOW	50	BLK	712.09
GALELB3X90X60	3X90X60 LG RADIUS GALVANIZED ELBOW	73	BLK	837.75
GALELB3-1/2X90X60	3-1/2X90X60 LG RADIUS GALVANIZED ELBOW	88	BLK	985.59
GALELB4X90X60	4X90X60 LG RADIUS GALVANIZED ELBOW	96	BLK	1159.52
GALELB5X90X60	5X90X60 LG RADIUS GALVANIZED ELBOW	132	BLK	1899.81
GALELB6X90X60	6X90X60 LG RADIUS GALVANIZED ELBOW	175	BLK	1983.91

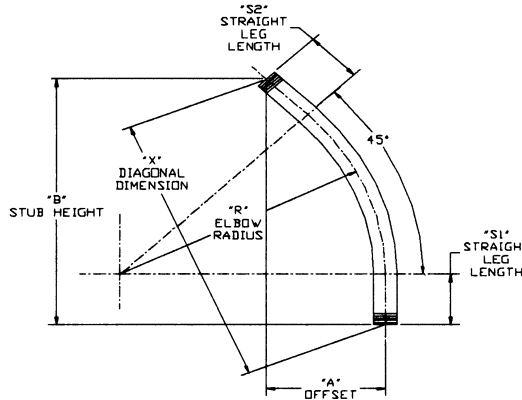
NOTES: Weights shown are approximate for 90° elbows. To arrive at weights for 60° elbows deduct 10%, for 45° elbows deduct 15% and 30° elbows deduct 20%.

Prices are available for special sizes, bends and lengths. Prices shown are for 90° elbows.

Galvanized special radius elbows are available in 45°, 60° and 30°

All special radius elbows are noncancelable and nonreturnable.

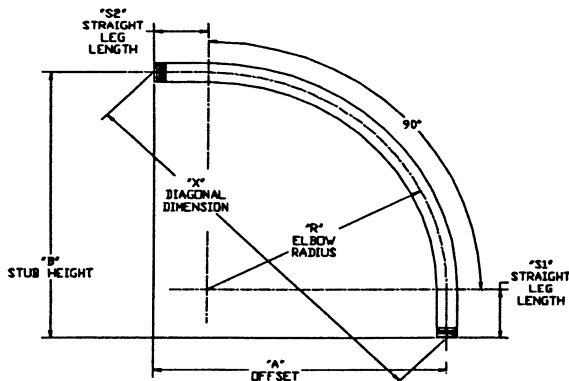
GALVANIZED SPECIAL RADIUS ELBOWS



GALVANIZED SPECIAL RADIUS ELBOWS • 45 DEGREES

SIZE	RADIUS	12	15	18	24	30	36	42	48	60
1	LEG LENGTH	9	9	10	11	11	11	12	11 15/16	
	UNBENT LENGTH	27 7/16	29 3/4	34 1/8	40 7/8	45 9/16	50 1/4	56 15/16	61 5/8	
	DIAGONAL	25 13/16	28 1/16	32 1/4	38 3/4	43 5/16	47 7/8	54 1/4	58 7/8	
	"A" OFFSET	9 7/8	10 3/4	12 5/16	14 13/16	16 9/16	18 5/16	20 3/4	22 1/2	
	"B" STUB HEIGHT	23 7/8	25 15/16	29 13/16	35 3/4	40	44 3/16	50 1/8	54 3/8	
1 1/4	LEG LENGTH	9	9	10	11	11	11	12	11 15/16	
	UNBENT LENGTH	27 7/16	29 3/4	34 1/8	40 7/8	45 9/16	50 1/4	56 15/16	61 5/8	
	DIAGONAL	25 13/16	28 1/16	32 1/4	38 3/4	43 5/16	47 7/8	54 1/4	58 7/8	
	"A" OFFSET	9 7/8	10 3/4	12 5/16	14 13/16	16 9/16	18 5/16	20 3/4	22 1/2	
	"B" STUB HEIGHT	23 7/8	25 15/16	29 13/16	35 3/4	40	44 3/16	50 1/8	54 3/8	
1 1/2	LEG LENGTH	9	9	10	11	11	11	12	11 15/16	
	UNBENT LENGTH	27 7/16	29 3/4	34 1/8	40 7/8	45 9/16	50 1/4	56 15/16	61 5/8	
	DIAGONAL	25 13/16	28 1/16	32 1/4	38 3/4	43 5/16	47 7/8	54 1/4	58 7/8	
	"A" OFFSET	9 7/8	10 3/4	12 5/16	14 13/16	16 9/16	18 5/16	20 3/4	22 1/2	
	"B" STUB HEIGHT	23 7/8	25 15/16	29 13/16	35 3/4	40	44 3/16	50 1/8	54 3/8	
2	LEG LENGTH	9	9	10	11	11	11	12	11 15/16	
	UNBENT LENGTH	27 7/16	29 3/4	34 1/8	40 7/8	45 9/16	50 1/4	56 15/16	61 5/8	
	DIAGONAL	25 13/16	28 1/16	32 1/4	38 3/4	43 5/16	47 7/8	54 1/4	58 7/8	
	"A" OFFSET	9 7/8	10 3/4	12 5/16	14 13/16	16 9/16	18 5/16	20 3/4	22 1/2	
	"B" STUB HEIGHT	23 7/8	25 15/16	29 13/16	35 3/4	40	44 3/16	50 1/8	54 3/8	
2 1/2	LEG LENGTH	9	9	10	11	11	11	12	11 15/16	
	UNBENT LENGTH	27 7/16	29 3/4	34 1/8	40 7/8	45 9/16	50 1/4	56 15/16	61 5/8	
	DIAGONAL	25 13/16	28 1/16	32 1/4	38 3/4	43 5/16	47 7/8	54 1/4	58 7/8	
	"A" OFFSET	9 7/8	10 3/4	12 5/16	14 13/16	16 9/16	18 5/16	20 3/4	22 1/2	
	"B" STUB HEIGHT	23 7/8	25 15/16	29 13/16	35 3/4	40	44 3/16	50 1/8	54 3/8	
3	LEG LENGTH		9	10	11	11	11	12	11 15/16	
	UNBENT LENGTH		29 3/4	34 1/8	40 7/8	45 9/16	50 1/4	56 15/16	61 5/8	
	DIAGONAL		28 1/16	32 1/4	38 3/4	43 5/16	47 7/8	54 1/4	58 7/8	
	"A" OFFSET		10 3/4	12 5/16	14 13/16	16 9/16	18 5/16	20 3/4	22 1/2	
	"B" STUB HEIGHT		25 15/16	29 13/16	35 3/4	40	44 3/16	50 1/8	54 3/8	
3 1/2	LEG LENGTH			10	11	11	11	12	11 15/16	
	UNBENT LENGTH			34 1/8	40 7/8	45 9/16	50 1/4	56 15/16	61 5/8	
	DIAGONAL			32 1/4	38 3/4	43 5/16	47 7/8	54 1/4	58 7/8	
	"A" OFFSET			12 5/16	14 13/16	16 9/16	18 5/16	20 3/4	22 1/2	
	"B" STUB HEIGHT			29 13/16	35 3/4	40	44 3/16	50 1/8	54 3/8	
4	LEG LENGTH			10	11	11	11	12	11 15/16	
	UNBENT LENGTH			34 1/8	40 7/8	45 9/16	50 1/4	56 15/16	61 5/8	
	DIAGONAL			32 1/4	38 3/4	43 5/16	47 7/8	54 1/4	58 7/8	
	"A" OFFSET			12 5/16	14 13/16	16 9/16	18 5/16	20 3/4	22 1/2	
	"B" STUB HEIGHT			29 13/16	35 3/4	40	44 3/16	50 1/8	54 3/8	
5	LEG LENGTH					11	11	12	11 15/16	12
	UNBENT LENGTH					45 9/16	50 1/4	56 15/16	61 5/8	71 1/8
	DIAGONAL					43 5/16	47 7/8	54 1/4	58 7/8	68 1/8
	"A" OFFSET					16 9/16	18 5/16	20 3/4	22 1/2	26 1/16
	"B" STUB HEIGHT					40	44 3/16	50 1/8	54 3/8	62 15/16
6	LEG LENGTH						11	12	11 15/16	12
	UNBENT LENGTH						50 1/4	56 15/16	61 5/8	71 1/8
	DIAGONAL						47 7/8	54 1/4	58 7/8	68 1/8
	"A" OFFSET						18 5/16	20 3/4	22 1/2	26 1/16
	"B" STUB HEIGHT						44 3/16	50 1/8	54 3/8	62 15/16

GALVANIZED SPECIAL RADIUS ELBOWS



GALVANIZED SPECIAL RADIUS ELBOWS • 90 DEGREES

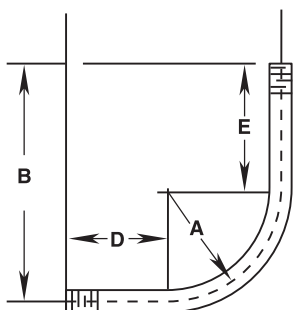
SIZE	RADIUS	12	15	18	24	30	36	42	48	60
1	LEG LENGTH	8 9/16	9 1/4	9 7/8	10 5/8	10 15/16	10 3/4	12	13 5/16	
	UNBENT LENGTH	36	42	48	59	69	78	90	102	
	DIAGONAL	29 1/8	34 1/4	39 7/16	49	57 7/8	66 1/16	76 3/8	86 11/16	
	"A" OFFSET	20 9/16	24 1/4	27 7/8	34 5/8	40 15/16	46 3/4	54	61 5/16	
	"B" STUB HEIGHT	20 9/16	24 1/4	27 7/8	34 5/8	40 15/16	46 3/4	54	61 5/16	
1 1/4	LEG LENGTH	8 9/16	9 1/4	9 7/8	10 5/8	10 15/16	10 3/4	12	13 5/16	
	UNBENT LENGTH	36	42	48	59	69	78	90	102	
	DIAGONAL	29 1/8	34 1/4	39 7/16	49	57 7/8	66 1/16	76 3/8	86 11/16	
	"A" OFFSET	20 9/16	24 1/4	27 7/8	34 5/8	40 15/16	46 3/4	54	61 5/16	
	"B" STUB HEIGHT	20 9/16	24 1/4	27 7/8	34 5/8	40 15/16	46 3/4	54	61 5/16	
1 1/2	LEG LENGTH	8 9/16	9 1/4	9 7/8	10 5/8	10 15/16	10 3/4	12	13 5/16	
	UNBENT LENGTH	36	42	48	59	69	78	90	102	
	DIAGONAL	29 1/8	34 1/4	39 7/16	49	57 7/8	66 1/16	76 3/8	86 11/16	
	"A" OFFSET	20 9/16	24 1/4	27 7/8	34 5/8	40 15/16	46 3/4	54	61 5/16	
	"B" STUB HEIGHT	20 9/16	24 1/4	27 7/8	34 5/8	40 15/16	46 3/4	54	61 5/16	
2	LEG LENGTH	8 9/16	9 1/4	9 7/8	10 5/8	10 15/16	10 3/4	12	13 5/16	
	UNBENT LENGTH	36	42	48	59	69	78	90	102	
	DIAGONAL	29 1/8	34 1/4	39 7/16	49	57 7/8	66 1/16	76 3/8	86 11/16	
	"A" OFFSET	20 9/16	24 1/4	27 7/8	34 5/8	40 15/16	46 3/4	54	61 5/16	
	"B" STUB HEIGHT	20 9/16	24 1/4	27 7/8	34 5/8	40 15/16	46 3/4	54	61 5/16	
2 1/2	LEG LENGTH	8 9/16	9 1/4	9 7/8	10 5/8	10 15/16	10 3/4	12	13 5/16	
	UNBENT LENGTH	36	42	48	59	69	78	90	102	
	DIAGONAL	29 1/8	34 1/4	39 7/16	49	57 7/8	66 1/16	76 3/8	86 11/16	
	"A" OFFSET	20 9/16	24 1/4	27 7/8	34 5/8	40 15/16	46 3/4	54	61 5/16	
	"B" STUB HEIGHT	20 9/16	24 1/4	27 7/8	34 5/8	40 15/16	46 3/4	54	61 5/16	
3	LEG LENGTH		9 1/4	9 7/8	10 5/8	10 15/16	10 3/4	12	13 5/16	
	UNBENT LENGTH		42	48	59	69	78	90	102	
	DIAGONAL		34 1/4	39 7/16	49	57 7/8	66 1/16	76 3/8	86 11/16	
	"A" OFFSET		24 1/4	27 7/8	34 5/8	40 15/16	46 3/4	54	61 5/16	
	"B" STUB HEIGHT		24 1/4	27 7/8	34 5/8	40 15/16	46 3/4	54	61 5/16	
3 1/2	LEG LENGTH			9 7/8	10 5/8	10 15/16	10 3/4	12	13 5/16	
	UNBENT LENGTH			48	59	69	78	90	102	
	DIAGONAL			39 7/16	49	57 7/8	66 1/16	76 3/8	86 11/16	
	"A" OFFSET			27 7/8	34 5/8	40 15/16	46 3/4	54	61 5/16	
	"B" STUB HEIGHT			27 7/8	34 5/8	40 15/16	46 3/4	54	61 5/16	
4	LEG LENGTH			9 7/8	10 5/8	10 15/16	10 3/4	12	13 5/16	
	UNBENT LENGTH			48	59	69	78	90	102	
	DIAGONAL			39 7/16	49	57 7/8	66 1/16	76 3/8	86 11/16	
	"A" OFFSET			27 7/8	34 5/8	40 15/16	46 3/4	54	61 5/16	
	"B" STUB HEIGHT			27 7/8	34 5/8	40 15/16	46 3/4	54	61 5/16	
5	LEG LENGTH					10 15/16	10 3/4	12	13 5/16	11 7/8
	UNBENT LENGTH					69	78	90	102	118
	DIAGONAL					57 7/8	66 1/16	76 3/8	86 11/16	101 1/2
	"A" OFFSET					40 15/16	46 3/4	54	61 5/16	71 7/8
	"B" STUB HEIGHT					40 15/16	46 3/4	54	61 5/16	71 7/8
6	LEG LENGTH						10 3/4	12	13 5/16	11 7/8
	UNBENT LENGTH						78	90	102	118
	DIAGONAL						66 1/16	76 3/8	86 11/16	101 1/2
	"A" OFFSET						46 3/4	54	61 5/16	71 7/8
	"B" STUB HEIGHT						46 3/4	54	61 5/16	71 7/8

GALVANIZED YARD LIGHT ELBOWS • METER RISERS • PRICE GUIDE

UL Listed and Labeled

GALVANIZED YARD LIGHT ELBOWS

CATALOG NUMBER	DESCRIPTION	WEIGHT PER 100 PIECES (lbs)	STANDARD CARTON	LIST PRICE PER 100 PIECES
GALELB-YD-1/2X90	1/2" HOT DIP GALVANIZED YARD LIGHT ELBOWS	145	25	2,167.65
GALELB-YD-3/4X90	3/4" HOT DIP GALVANIZED YARD LIGHT ELBOWS	197	25	2,515.72
GALELB-YD-1X90	1" HOT DIP GALVANIZED YARD LIGHT ELBOWS	316	25	3,616.49
GALELB-YD-1-1/4X90	1-1/4" HOT DIP GALVANIZED YARD LIGHT ELBOWS	495	10	4,499.82
GALELB-YD-1-1/2X90	1-1/2" HOT DIP GALVANIZED YARD LIGHT ELBOWS	615	BLK	5,506.14
GALELB-YD-2X90	2" HOT DIP GALVANIZED YARD LIGHT ELBOWS	975	BLK	8,059.84
GALELB-YD-2-1/2X90	2-1/2" HOT DIP GALVANIZED YARD LIGHT ELBOWS	1590	BLK	11,815.21
GALELB-YD-3X90	3" HOT DIP GALVANIZED YARD LIGHT ELBOWS	2380	BLK	18,464.39
GALELB-YD-3-1/2X90	3-1/2" HOT DIP GALVANIZED YARD LIGHT ELBOWS	3250	BLK	32,410.05
GALELB-YD-4X90	4" HOT DIP GALVANIZED YARD LIGHT ELBOWS	4030	BLK	41,048.95



Nominal Size	1/2"	3/4"	1"	1 1/4"	1 1/2"	2"	2 1/2"	3"	3 1/2"	4"
A	4"	4 1/2"	5 3/4"	7 1/4"	8 3/4"	9 1/2"	10 1/2"	13"	15"	16"
B	18"	18"	18"	19 1/4"	20 1/2"	21 1/2"	22 1/2"	25"	27"	28"
C	6 5/8"	6 3/4"	8 5/8"	10 1/4"	11 5/8"	14 1/2"	16"	19 1/4"	22 3/4"	24"
D	2 5/8"	2 1/4"	2 7/8"	3 1/4"	3 3/8"	5"	5 1/2"	6 1/4"	7 1/4"	8"
E	14"	13 1/2"	12 1/4"	12 1/4"	12 1/4"	12"	12"	12"	12"	12"

METER RISERS

CATALOG NUMBER	DESCRIPTION	LIST PRICE EACH
GALRISERST-TBE-2	2"X7' Galvanized Rigid, Threaded Both Ends	\$39.09
GALRISERST-TOE-2	2"X7' Galvanized Rigid, Threaded One End	\$39.09
GALRISERST-TBE-2-1/2	2-1/2"X7' Galvanized Rigid, Threaded Both Ends	\$61.23
GALRISERST-TOE-2-1/2	2-1/2"x7' Galvanized Rigid, Threaded One End	\$61.23
GALRISER45-TBE-2	2"X7' 45 Degree, Galvanized Rigid, Threaded Both Ends	\$51.70
GALRISER45-TOE-2	2"X7' 45 Degree, Galvanized Rigid, Threaded One End	\$51.70
GALRISERMI-2	2"X7' Offset, Galvanized Rigid, Threaded Both Ends	\$61.23

Yard light elbows and Meter risers are noncancelable and nonreturnable.



GALVANIZED CONDUIT NIPPLES • PRICE GUIDE

UL Listed and Labeled

GALVANIZED CONDUIT NIPPLES

For list prices on lengths not shown up to 12" take next longer length listed. For nipple lengths longer than 12" — prices upon application.

*** For broken carton nipple quantities add 20% to list price.** Exception: no broken carton penalty on nipples longer than 6".

CATALOG NUMBER	DESCRIPTION	WEIGHT PER 100 PIECES (lbs)	STANDARD CARTON	LIST PRICE PER 100 PIECES
GALNIP1/2XCL	1/2X1 1/8 CLOSE GALVANIZED NIPPLE	6	25	204.53
GALNIP3/4XCL	3/4X1 3/8 CLOSE GALVANIZED NIPPLE	9	25	264.03
GALNIP1XCL	1X1 1/2 CLOSE GALVANIZED NIPPLE	16	25	395.78
GALNIP1-1/4XCL	1-1/4X1 5/8 CLOSE GALVANIZED NIPPLE	22	25	515.09
GALNIP1-1/2XCL	1-1/2X1 3/4 CLOSE GALVANIZED NIPPLE	28	25	621.78
GALNIP2XCL	2X2 CLOSE GALVANIZED NIPPLE	44	25	762.55
GALNIP2-1/2XCL	2-1/2X2 1/2 CLOSE GALVANIZED NIPPLE	84	10	2,114.93
GALNIP3XCL	3X2 5/8 CLOSE GALVANIZED NIPPLE	118	10	2,481.32
GALNIP3-1/2XCL	3-1/2X2 3/4 CLOSE GALVANIZED NIPPLE	160	10	3,056.98
GALNIP4XCL	4X2 7/8 CLOSE GALVANIZED NIPPLE	180	10	3,610.71
GALNIP5XCL	5X3 CLOSE GALVANIZED NIPPLE	240	BLK	6,869.16
GALNIP6XCL	6X3 1/8 CLOSE GALVANIZED NIPPLE	350	BLK	9,032.42
GALNIP1/2X1-1/2	1/2X1 1/2 GALVANIZED NIPPLE	8	25	244.03
GALNIP3/4X1-1/2	3/4X1 1/2 GALVANIZED NIPPLE	10	25	304.01
GALNIP1/2X2	1/2X2 GALVANIZED NIPPLE	12	25	277.32
GALNIP3/4X2	3/4X2 GALVANIZED NIPPLE	14	25	311.92
GALNIP1X2	1X2 GALVANIZED NIPPLE	22	25	435.78
GALNIP1-1/4X2	1-1/4X2 GALVANIZED NIPPLE	28	25	554.03
GALNIP1-1/2X2	1-1/2X2 GALVANIZED NIPPLE	34	25	657.12
GALNIP1/2X2-1/2	1/2X2 1/2 GALVANIZED NIPPLE	15	25	299.49
GALNIP3/4X2-1/2	3/4X2 1/2 GALVANIZED NIPPLE	19	25	347.19
GALNIP1X2-1/2	1X2 1/2 GALVANIZED NIPPLE	28	25	473.63
GALNIP1-1/4X2-1/2	1-1/4X2 1/2 GALVANIZED NIPPLE	37	25	606.92
GALNIP1-1/2X2-1/2	1-1/2X2 1/2 GALVANIZED NIPPLE	44	25	740.95
GALNIP2X2-1/2	2X2 1/2 GALVANIZED NIPPLE	59	25	895.06
GALNIP1/2X3	1/2X3 GALVANIZED NIPPLE	19	25	323.90
GALNIP3/4X3	3/4X3 GALVANIZED NIPPLE	24	25	378.38
GALNIP1X3	1X3 GALVANIZED NIPPLE	36	25	527.87
GALNIP1-1/4X3	1-1/4X3 GALVANIZED NIPPLE	47	25	654.10
GALNIP1-1/2X3	1-1/2X3 GALVANIZED NIPPLE	56	25	797.70
GALNIP2X3	2X3 GALVANIZED NIPPLE	72	25	1,035.46
GALNIP2-1/2X3	2-1/2X3 GALVANIZED NIPPLE	100	10	2,137.68
GALNIP3X3	3X3 GALVANIZED NIPPLE	130	10	2,627.93
GALNIP1/2X3-1/2	1/2X3 1/2 GALVANIZED NIPPLE	22	25	354.82
GALNIP3/4X3-1/2	3/4X3 1/2 GALVANIZED NIPPLE	28	25	394.51
GALNIP1X3-1/2	1X3 1/2 GALVANIZED NIPPLE	43	25	598.72
GALNIP1-1/4X3-1/2	1-1/4X3 1/2 GALVANIZED NIPPLE	55	25	743.86
GALNIP1-1/2X3-1/2	1-1/2X3 1/2 GALVANIZED NIPPLE	68	25	916.60
GALNIP2X3-1/2	2X3 1/2 GALVANIZED NIPPLE	88	25	1,179.08
GALNIP2-1/2X3-1/2	2-1/2X3 1/2 GALVANIZED NIPPLE	120	10	2,526.90
GALNIP3X3-1/2	3X3 1/2 GALVANIZED NIPPLE	157	10	2,965.10

Continued next page



GALVANIZED CONDUIT NIPPLES • PRICE GUIDE

GALVANIZED CONDUIT NIPPLES

CATALOG NUMBER	DESCRIPTION	WEIGHT PER 100 PIECES (lbs)	STANDARD CARTON	LIST PRICE PER 100 PIECES
GALNIP1/2X4	1/2X4 GALVANIZED NIPPLE	26	25	384.54
GALNIP3/4X4	3/4X4 GALVANIZED NIPPLE	34	25	448.19
GALNIP1X4	1X4 GALVANIZED NIPPLE	49	25	642.06
GALNIP1-1/4X4	1-1/4X4 GALVANIZED NIPPLE	66	25	787.39
GALNIP1-1/2X4	1-1/2X4 GALVANIZED NIPPLE	80	25	997.72
GALNIP2X4	2X4 GALVANIZED NIPPLE	103	25	1,301.64
GALNIP2-1/2X4	2-1/2X4 GALVANIZED NIPPLE	150	10	2,646.47
GALNIP3X4	3X4 GALVANIZED NIPPLE	200	10	3,214.44
GALNIP3-1/2X4	3-1/2X4 GALVANIZED NIPPLE	240	5	3,912.46
GALNIP4X4	4X4 GALVANIZED NIPPLE	285	6	4,392.53
GALNIP1/2X5	1/2X5 GALVANIZED NIPPLE	33	25	430.22
GALNIP3/4X5	3/4X5 GALVANIZED NIPPLE	43	25	515.20
GALNIP1X5	1X5 GALVANIZED NIPPLE	64	25	727.90
GALNIP1-1/4X5	1-1/4X5 GALVANIZED NIPPLE	84	25	912.18
GALNIP1-1/2X5	1-1/2X5 GALVANIZED NIPPLE	103	25	1,119.32
GALNIP2X5	2X5 GALVANIZED NIPPLE	132	25	1,518.91
GALNIP2-1/2X5	2-1/2X5 GALVANIZED NIPPLE	197	10	3,127.99
GALNIP3X5	3X5 GALVANIZED NIPPLE	260	10	3,736.60
GALNIP3-1/2X5	3-1/2X5 GALVANIZED NIPPLE	320	5	4,431.41
GALNIP4X5	4X5 GALVANIZED NIPPLE	380	6	5,150.42
GALNIP5X5	5X5 GALVANIZED NIPPLE	480	BLK	9,997.47
GALNIP6X5	6X5 GALVANIZED NIPPLE	660	BLK	12,459.55
GALNIP1/2X6	1/2X6 GALVANIZED NIPPLE	40	25	513.76
GALNIP3/4X6	3/4X6 GALVANIZED NIPPLE	52	25	600.65
GALNIP1X6	1X6 GALVANIZED NIPPLE	78	25	795.73
GALNIP1-1/4X6	1-1/4X6 GALVANIZED NIPPLE	100	25	1,026.39
GALNIP1-1/2X6	1-1/2X6 GALVANIZED NIPPLE	122	25	1,376.05
GALNIP2X6	2X6 GALVANIZED NIPPLE	160	25	1,736.52
GALNIP2-1/2X6	2-1/2X6 GALVANIZED NIPPLE	240	10	3,550.06
GALNIP3X6	3X6 GALVANIZED NIPPLE	300	10	4,267.02
GALNIP3-1/2X6	3-1/2X6 GALVANIZED NIPPLE	373	5	5,064.68
GALNIP4X6	4X6 GALVANIZED NIPPLE	440	5	5,752.11
GALNIP5X6	5X6 GALVANIZED NIPPLE	600	BLK	10,878.38
GALNIP6X6	6X6 GALVANIZED NIPPLE	820	BLK	13,749.10
GALNIP1/2X8	1/2X8 GALVANIZED NIPPLE	54	25	894.12
GALNIP3/4X8	3/4X8 GALVANIZED NIPPLE	73	25	991.31
GALNIP1X8	1X8 GALVANIZED NIPPLE	109	25	1,254.82
GALNIP1-1/4X8	1-1/4X8 GALVANIZED NIPPLE	136	10	1,680.74
GALNIP1-1/2X8	1-1/2X8 GALVANIZED NIPPLE	170	10	2,104.81
GALNIP2X8	2X8 GALVANIZED NIPPLE	220	10	2,505.18
GALNIP2-1/2X8	2 1/2X8 GALVANIZED NIPPLE	329	5	4,669.51
GALNIP3X8	3X8 GALVANIZED NIPPLE	411	5	5,552.54
GALNIP3-1/2X8	3-1/2X8 GALVANIZED NIPPLE	510	5	6,346.16
GALNIP4X8	4X8 GALVANIZED NIPPLE	600	3	7,168.26
GALNIP5X8	5X8 GALVANIZED NIPPLE	825	BLK	12,921.11
GALNIP6X8	6X8 GALVANIZED NIPPLE	1125	BLK	16,042.73

Continued next page



GALVANIZED CONDUIT NIPPLES • PRICE GUIDE

UL Listed and Labeled

GALVANIZED CONDUIT NIPPLES

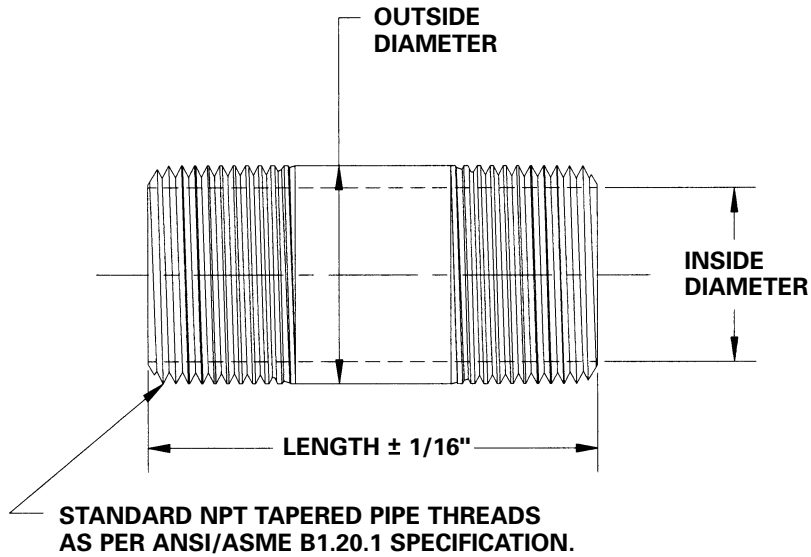
CATALOG NUMBER	DESCRIPTION	WEIGHT PER 100 PIECES (lbs)	STANDARD CARTON	LIST PRICE PER 100 PIECES
GALNIP1/2X10	1/2X10 GALVANIZED NIPPLE	68	25	1,024.93
GALNIP3/4X10	3/4X10 GALVANIZED NIPPLE	89	25	1,190.31
GALNIP1X10	1X10 GALVANIZED NIPPLE	138	25	1,620.02
GALNIP1-1/4X10	1-1/4X10 GALVANIZED NIPPLE	176	10	2,114.68
GALNIP1-1/2X10	1-1/2X10 GALVANIZED NIPPLE	216	10	2,531.83
GALNIP2X10	2X10 GALVANIZED NIPPLE	285	10	3,000.21
GALNIP2-1/2X10	2 1/2X10 GALVANIZED NIPPLE	422	5	5,421.62
GALNIP3X10	3X10 GALVANIZED NIPPLE	528	5	6,562.05
GALNIP3-1/2X10	3-1/2X10 GALVANIZED NIPPLE	655	4	7,676.52
GALNIP4X10	4X10 GALVANIZED NIPPLE	775	4	8,853.57
GALNIP5X10	5X10 GALVANIZED NIPPLE	1055	BLK	15,148.59
GALNIP6X10	6X10 GALVANIZED NIPPLE	1440	BLK	20,049.98
GALNIP1/2X12	1/2X12 GALVANIZED NIPPLE	82	25	1,181.35
GALNIP3/4X12	3/4X12 GALVANIZED NIPPLE	109	25	1,337.51
GALNIP1X12	1X12 GALVANIZED NIPPLE	166	25	1,839.44
GALNIP1-1/4X12	1-1/4X12 GALVANIZED NIPPLE	216	10	2,462.16
GALNIP1-1/2X12	1-1/2X12 GALVANIZED NIPPLE	260	10	2,746.69
GALNIP2X12	2X12 GALVANIZED NIPPLE	335	10	3,416.18
GALNIP2-1/2X12	2-1/2X12 GALVANIZED NIPPLE	505	5	6,306.51
GALNIP3X12	3X12 GALVANIZED NIPPLE	630	5	7,967.67
GALNIP3-1/2X12	3-1/2X12 GALVANIZED NIPPLE	785	4	8,972.14
GALNIP4X12	4X12 GALVANIZED NIPPLE	925	4	10,540.31
GALNIP5X12	5X12 GALVANIZED NIPPLE	1260	BLK	18,349.93
GALNIP6X12	6X12 GALVANIZED NIPPLE	1720	BLK	22,277.34

APPROVED CONDUCTIVE THREAD COMPOUND

CATALOG NUMBER	DESCRIPTION	APP WEIGHT (lbs)	STANDARD CARTON	LIST PRICE PER EACH
THREAD-COMPOUND	APPROVED CONDUCTIVE COMPOUND-BRUSHTOP PINT	1	1	58.31

RIGID CONDUIT NIPPLES

RIGID CONDUIT NIPPLES • TYPE - RIGID STEEL AND ALUMINUM



Material - Rigid Steel Conduit - (UL6)
 Aluminum Conduit - (UL6A)

Applicable Specification:
 Underwriters Laboratories - UL 6 for Rigid
 UL 6A for Aluminum

Pipe Size (in.)	Pipe O.D. (in.)	Length Close (in.)	Pipe Nipple Lengths															
			1 1/2	2	2 1/2	3	3 1/2	4	4 1/2	5	5 1/2	6	7	8	9	10	11	12
1/2	0.84	1 1/8	1 1/2	2	2 1/2	3	3 1/2	4	4 1/2	5	5 1/2	6	7	8	9	10	11	12
3/4	1.05	1 3/8	1 1/2	2	2 1/2	3	3 1/2	4	4 1/2	5	5 1/2	6	7	8	9	10	11	12
1	1.315	1 1/2		2	2 1/2	3	3 1/2	4	4 1/2	5	5 1/2	6	7	8	9	10	11	12
1 1/4	1.66	1 5/8		2	2 1/2	3	3 1/2	4	4 1/2	5	5 1/2	6	7	8	9	10	11	12
1 1/2	1.9	1 3/4		2	2 1/2	3	3 1/2	4	4 1/2	5	5 1/2	6	7	8	9	10	11	12
2	2.375	2			2 1/2	3	3 1/2	4	4 1/2	5	5 1/2	6	7	8	9	10	11	12
2 1/2	2.875	2 1/2				3	3 1/2	4	4 1/2	5	5 1/2	6	7	8	9	10	11	12
3	3.5	2 5/8				3	3 1/2	4	4 1/2	5	5 1/2	6	7	8	9	10	11	12
3 1/2	4	2 3/4						4	4 1/2	5	5 1/2	6	7	8	9	10	11	12
4	4.5	2 7/8						4	4 1/2	5	5 1/2	6	7	8	9	10	11	12
5	5.563	3							4 1/2	5	5 1/2	6	7	8	9	10	11	12
6	6.625	3 1/8							4 1/2	5	5 1/2	6	7	8	9	10	11	12



EMT STANDARD AND SPECIAL RADIUS ELBOWS • PRICE GUIDE

EMT STANDARD RADIUS ELBOWS

CATALOG NUMBER	DESCRIPTION	WEIGHT PER 100 PIECES (lbs)	STANDARD CARTON	LIST PRICE PER 100 PIECES
EMTELB1/2X90	1/2X90 EMT ELBOW	28	50	631.12
EMTELB3/4X90	3/4X90 EMT ELBOW	46	50	692.93
EMTELB1X90	1X 90 EMT ELBOW	86	25	1,056.25
EMTELB1-1/4X90	1-1/4X90 EMT ELBOW	148	25	1,309.23
EMTELB1-1/2X90	1-1/2X90 EMT ELBOW	198	15	1,522.63
EMTELB2X90	2X90 EMT ELBOW	286	10	2,236.54
EMTELB2-1/2X90	2-1/2X90 EMT ELBOW	536	BLK	5,445.42
EMTELB3X90	3X90 EMT ELBOW	720	BLK	8,118.97
EMTELB3-1/2X90	3-1/2X90 EMT ELBOW	1080	BLK	10,882.10
EMTELB4X90	4X90 EMT ELBOW	1333	BLK	12,802.53
EMTELB1/2X45	1/2X45 EMT ELBOW	24	50	631.12
EMTELB3/4X45	3/4X45 EMT ELBOW	39	50	692.93
EMTELB1X45	1X 45 EMT ELBOW	73	25	1,056.25
EMTELB1-1/4X45	1-1/4X45 EMT ELBOW	126	25	1,309.23
EMTELB1-1/2X45	1-1/2X45 EMT ELBOW	168	15	1,522.63
EMTELB2X45	2X45 EMT ELBOW	243	10	2,236.54
EMTELB2-1/2X45	2-1/2X45 EMT ELBOW	456	BLK	5,445.42
EMTELB3X45	3X45 EMT ELBOW	612	BLK	8,118.97
EMTELB3-1/2X45	3-1/2X45 EMT ELBOW	918	BLK	10,882.10
EMTELB4X45	4X45 EMT ELBOW	1133	BLK	12,802.53

NOTE: Weights shown are approximate for 90° elbows. To arrive at weights for 45° elbows deduct 15%.
 Sizes 2-1/2" and larger shipped in palletized cartons or bulk, with ECN-Korns identifying label.

EMT SPECIAL RADIUS ELBOWS

All E.M.T. special radius elbows are noncancelable and nonreturnable.

CATALOG NUMBER	DESCRIPTION	APP WEIGHT (lbs)	STANDARD CARTON	LIST PRICE EACH
EMTELB1-1/2X90X18	1-1/2X90X18 EMT ELBOW	4	BLK	125.44
EMTELB2X90X18	2X90X18 EMT ELBOW	6	BLK	147.91
EMTELB2-1/2X90X18	2-1/2X90X18 EMT ELBOW	9	BLK	268.32
EMTELB3-1/2X90X18	3-1/2X90X18 EMT ELBOW	14	BLK	504.35
EMTELB1-1/2X45X18	1-1/2X45X18 EMT ELBOW	3	BLK	125.44
EMTELB2X45X18	2X45X18 EMT ELBOW	5	BLK	147.91
EMTELB2-1/2X45X18	2-1/2X45X18 EMT ELBOW	5	BLK	268.32
EMTELB3-1/2X45X18	3-1/2X45X18 EMT ELBOW	10	BLK	504.35
EMTELB1-1/2X60X18	1-1/2X60X18 EMT ELBOW	4	BLK	125.44
EMTELB2X60X18	2X60X18 EMT ELBOW	5	BLK	147.91
EMTELB2-1/2X60X18	2-1/2X60X18 EMT ELBOW	9	BLK	268.32
EMTELB3-1/2X60X18	3-1/2X60X18 EMT ELBOW	14	BLK	504.35
EMTELB1-1/2X30X18	1-1/2X30X18 EMT ELBOW	3	BLK	125.44
EMTELB2X30X18	2X30X18 EMT ELBOW	5	BLK	147.91
EMTELB2-1/2X30X18	2-1/2X30X18 EMT ELBOW	5	BLK	268.32
EMTELB3-1/2X30X18	3-1/2X30X18 EMT ELBOW	10	BLK	504.35

Continued next page



EMT SPECIAL RADIUS ELBOWS • PRICE GUIDE

EMT SPECIAL RADIUS ELBOWS

CATALOG NUMBER	DESCRIPTION	APP WEIGHT (lbs)	STANDARD CARTON	LIST PRICE EACH
EMTELB1-1/4X90X24	1-1/4X90X24 EMT ELBOW	5	BLK	124.94
EMTELB1-1/2X90X24	1-1/2X90X24 EMT ELBOW	5	BLK	164.42
EMTELB2X90X24	2X90X24 EMT ELBOW	7	BLK	181.33
EMTELB2-1/2X90X24	2-1/2X90X24 EMT ELBOW	11	BLK	268.32
EMTELB3X90X24	3X90X24 EMT ELBOW	13	BLK	320.01
EMTELB3-1/2X90X24	3-1/2X90X24 EMT ELBOW	17	BLK	504.35
EMTELB4X90X24	4X90X24 EMT ELBOW	17	BLK	504.35
EMTELB1-1/4X45X24	1-1/4X45X24 EMT ELBOW	4	BLK	124.94
EMTELB1-1/2X45X24	1-1/2X45X24 EMT ELBOW	4	BLK	164.42
EMTELB2X45X24	2X45X24 EMT ELBOW	6	BLK	181.33
EMTELB2-1/2X45X24	2-1/2X45X24 EMT ELBOW	9	BLK	268.32
EMTELB3X45X24	3X45X24 EMT ELBOW	11	BLK	320.01
EMTELB3-1/2X45X24	3-1/2X45X24 EMT ELBOW	10	BLK	504.35
EMTELB4X45X24	4X45X24 EMT ELBOW	14	BLK	504.35
EMTELB1-1/4X60X24	1-1/4X60X24 EMT ELBOW	5	BLK	124.94
EMTELB1-1/2X60X24	1-1/2X60X24 EMT ELBOW	5	BLK	164.42
EMTELB2X60X24	2X60X24 EMT ELBOW	6	BLK	181.33
EMTELB2-1/2X60X24	2-1/2X60X24 EMT ELBOW	10	BLK	268.32
EMTELB3X60X24	3X60X24 EMT ELBOW	12	BLK	320.01
EMTELB3-1/2X60X24	3-1/2X60X24 EMT ELBOW	17	BLK	504.35
EMTELB4X60X24	4X60X24 EMT ELBOW	15	BLK	504.35
EMTELB1-1/4X30X24	1-1/4X30X24 EMT ELBOW	4	BLK	124.94
EMTELB1-1/2X30X24	1-1/2X30X24 EMT ELBOW	4	BLK	164.42
EMTELB2X30X24	2X30X24 EMT ELBOW	6	BLK	181.33
EMTELB2-1/2X30X24	2-1/2X30X24 EMT ELBOW	9	BLK	268.32
EMTELB3X30X24	3X30X24 EMT ELBOW	10	BLK	320.01
EMTELB3-1/2X30X24	3-1/2X30X24 EMT ELBOW	10	BLK	504.35
EMTELB4X30X24	4X30X24 EMT ELBOW	14	BLK	504.35
EMTELB2X90X30	2X90X30 EMT ELBOW	8	BLK	211.79
EMTELB3X90X30	3X90X30 EMT ELBOW	14	BLK	376.40
EMTELB3-1/2X90X30	3-1/2X90X30 EMT ELBOW	19	BLK	586.40
EMTELB4X90X30	4X90X30 EMT ELBOW	21	BLK	611.90
EMTELB2X45X30	2X45X30 EMT ELBOW	7	BLK	211.79
EMTELB3X45X30	3X45X30 EMT ELBOW	12	BLK	376.40
EMTELB3-1/2X45X30	3-1/2X45X30 EMT ELBOW	16	BLK	586.40
EMTELB4X45X30	4X45X30 EMT ELBOW	18	BLK	611.90
EMTELB2X60X30	2X60X30 EMT ELBOW	7	BLK	211.79
EMTELB3X60X30	3X60X30 EMT ELBOW	13	BLK	376.40
EMTELB3-1/2X60X30	3-1/2X60X30 EMT ELBOW	17	BLK	586.40
EMTELB4X60X30	4X60X30 EMT ELBOW	19	BLK	611.90
EMTELB2X30X30	2X30X30 EMT ELBOW	6	BLK	211.79
EMTELB3X30X30	3X30X30 EMT ELBOW	11	BLK	376.40
EMTELB3-1/2X30X30	3-1/2X30X30 EMT ELBOW	15	BLK	586.40
EMTELB4X30X30	4X30X30 EMT ELBOW	17	BLK	611.90

Continued next page

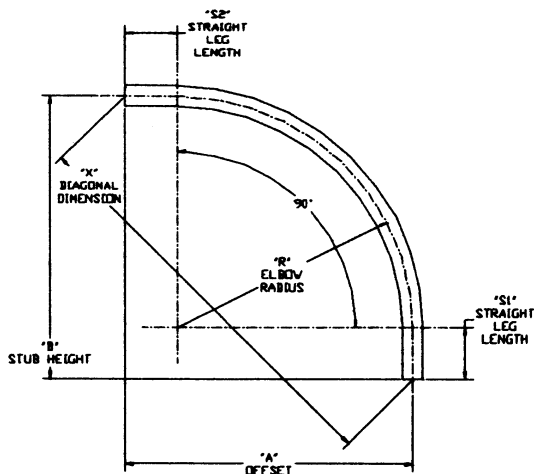


EMT SPECIAL RADIUS ELBOWS • PRICE GUIDE

EMT SPECIAL RADIUS ELBOWS

CATALOG NUMBER	DESCRIPTION	APP WEIGHT (lbs)	STANDARD CARTON	LIST PRICE EACH
EMTELB1-1/2X90X36	1-1/2X90X36 EMT ELBOW	7	BLK	205.34
EMTELB2X90X36	2X90X36 EMT ELBOW	9	BLK	294.15
EMTELB2-1/2X90X36	2-1/2X90X36 EMT ELBOW	13	BLK	335.51
EMTELB3X90X36	3X90X36 EMT ELBOW	16	BLK	441.75
EMTELB3-1/2X90X36	3-1/2X90X36 EMT ELBOW	22	BLK	612.79
EMTELB4X90X36	4X90X36 EMT ELBOW	24	BLK	639.45
EMTELB1-1/2X45X36	1-1/2X45X36 EMT ELBOW	6	BLK	205.34
EMTELB2X45X36	2X45X36 EMT ELBOW	8	BLK	294.15
EMTELB2-1/2X45X36	2-1/2X45X36 EMT ELBOW	11	BLK	335.51
EMTELB3X45X36	3X45X36 EMT ELBOW	14	BLK	441.75
EMTELB3-1/2X45X36	3-1/2X45X36 EMT ELBOW	19	BLK	612.79
EMTELB4X45X36	4X45X36 EMT ELBOW	20	BLK	639.45
EMTELB1-1/2X60X36	1-1/2X60X36 EMT ELBOW	6	BLK	205.34
EMTELB2X60X36	2X60X36 EMT ELBOW	8	BLK	294.15
EMTELB2-1/2X60X36	2-1/2X60X36 EMT ELBOW	12	BLK	335.51
EMTELB3X60X36	3X60X36 EMT ELBOW	14	BLK	441.75
EMTELB3-1/2X60X36	3 1/2X60X36 EMT ELBOW	20	BLK	612.79
EMTELB4X60X36	4X60X36 EMT ELBOW	22	BLK	639.45
EMTELB1-1/2X30X36	1-1/2X30X36 EMT ELBOW	6	BLK	205.34
EMTELB2X30X36	2X30X36 EMT ELBOW	7	BLK	294.15
EMTELB2-1/2X30X36	2-1/2X30X36 EMT ELBOW	10	BLK	335.51
EMTELB3X30X36	3X30X36 EMT ELBOW	13	BLK	441.75
EMTELB3-1/2X30X36	3-1/2X30X36 EMT ELBOW	18	BLK	612.79
EMTELB4X30X36	4X30X36 EMT ELBOW	19	BLK	639.45
EMTELB4X90X42	4X90X42 EMT ELBOW	28	BLK	752.16
EMTELB4X45X42	4X45X42 EMT ELBOW	24	BLK	752.16
EMTELB4X60X42	4X60X42 EMT ELBOW	25	BLK	752.16
EMTELB4X30X42	4X30X42 EMT ELBOW	22	BLK	752.16
EMTELB1-1/2X90X48	1-1/2X90X48 EMT ELBOW	9	BLK	253.90
EMTELB2X90X48	2X90X48 EMT ELBOW	12	BLK	306.03
EMTELB3X90X48	3X90X48 EMT ELBOW	21	BLK	484.92
EMTELB3-1/2X90X48	3-1/2X90X48 EMT ELBOW	28	BLK	771.79
EMTELB4X90X48	4X90X48 EMT ELBOW	31	BLK	805.37
EMTELB1-1/2X45X48	1-1/2X45X48 EMT ELBOW	8	BLK	253.90
EMTELB2X45X48	2X45X48 EMT ELBOW	10	BLK	306.03
EMTELB3X45X48	3X45X48 EMT ELBOW	18	BLK	484.92
EMTELB3-1/2X45X48	3-1/2X45X48 EMT ELBOW	24	BLK	771.79
EMTELB4X45X48	4X45X48 EMT ELBOW	26	BLK	805.37
EMTELB1-1/2X60X48	1-1/2X60X48 EMT ELBOW	8	BLK	253.90
EMTELB2X60X48	2X60X48 EMT ELBOW	11	BLK	306.03
EMTELB3X60X48	3X60X48 EMT ELBOW	19	BLK	484.92
EMTELB3-1/2X60X48	3-1/2X60X48 EMT ELBOW	25	BLK	771.79
EMTELB4X60X48	4X60X48 EMT ELBOW	28	BLK	805.37
EMTELB1-1/2X30X48	1-1/2X30X48 EMT ELBOW	7	BLK	253.90
EMTELB2X30X48	2X30X48 EMT ELBOW	10	BLK	306.03
EMTELB3X30X48	3X30X48 EMT ELBOW	17	BLK	484.92
EMTELB3-1/2X30X48	3-1/2X30X48 EMT ELBOW	22	BLK	771.79
EMTELB4X30X48	4X30X48 EMT ELBOW	25	BLK	805.37

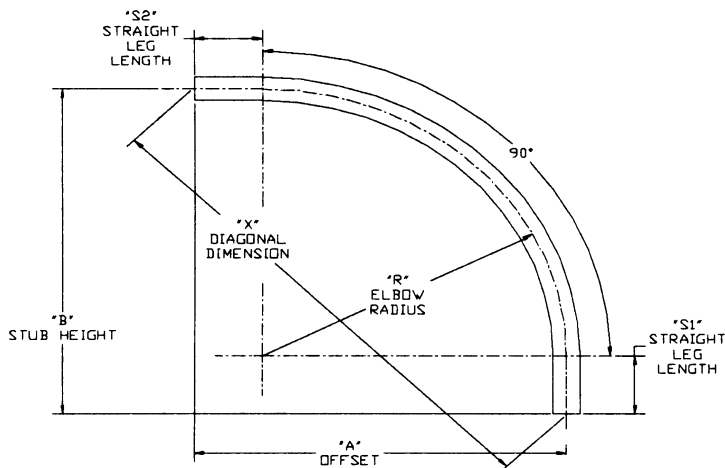
EMT STANDARD RADIUS ELBOWS



STANDARD RADIUS ELBOWS • EMT

Degree	Radius (in.)	4	4 1/2	5 3/4	7 1/4	8 1/4	9 1/2	10 1/2	13	15	16
	Size	1/2	3/4	1	1 1/4	1 1/2	2	2 1/2	3	3 1/2	4
11 1/4	Leg Length	2	2	2	2 3/4	3	4 1/4	5 1/4	5 7/8	6 3/4	7
	Unbent Length	4 13/16	4 7/8	5 1/8	6 7/8	8 1/4	10 3/8	12 9/16	14 3/16	16 3/8	17
	Diagonal	4 3/4	4 7/8	5 1/8	6 7/8	8 1/4	10 3/8	12 1/2	14 1/4	16 1/4	16 15/16
	"A" Offset	1/2	1/2	1/2	11/16	3/4	1	1 1/4	1 3/8	1 1/2	1 3/4
	"B" Stub Height	4 3/4	4 13/16	5	6 7/8	8 3/16	10 1/2	12 1/2	14 1/16	16 1/4	17
15	Leg Length	2	2	2	2 3/4	3 1/4	4 5/16	5 1/4	5 7/8	6 3/4	7
	Unbent Length	5 1/16	5 3/16	5 1/2	7 1/4	8 5/8	11 1/16	13 11/32	15 1/8	17 15/32	18 5/32
	Diagonal	5	5 1/8	5	7 1/4	8 5/8	11	13 1/4	15	17 5/16	18
	"A" Offset	5/8	11/16	11/16	1	1 1/8	1 1/2	1 3/4	2	2 1/4	2 3/8
	"B" Stub Height	5	5 1/8	5 3/8	7 1/8	8 1/2	10 7/8	13 1/8	15	17 1/4	17 7/8
22 1/2	Leg Length	2	2 1/16	2	2 3/4	3	4 1/4	5 1/4	5 7/8	6 3/4	7
	Unbent Length	5 21/32	5 27/32	6 11/32	8 5/16	9 27/32	12 5/16	14 23/32	16 13/16	19 13/32	20 1/4
	Diagonal	6	5 3/4	6 1/4	8 1/4	9 3/4	12 1/8	14 1/2	16 1/2	19 1/8	19 15/16
	"A" Offset	1 1/8	1	1	1 5/8	2	2 3/8	2 3/4	3 1/4	3 1/2	4
	"B" Stub Height	5 7/16	5 5/8	6	8	9 1/2	11 7/8	14 1/4	16 1/4	18 1/2	19 9/16
30	Leg Length	2	2	2	2 3/4	3 5/16	4 1/4	5 1/4	5 7/8	6 3/4	7
	Unbent Length	6 3/16	6 7/16	7 1/8	9 1/4	10 29/32	13 9/16	16 3/32	18 1/2	21 3/8	22 11/32
	Diagonal	6	6 1/4	7	9	10 5/8	13 1/4	15 5/8	18	20 13/16	21 3/4
	"A" Offset	1 1/2	1 5/8	1 3/4	2 3/8	2 3/4	3 1/2	4	4 11/16	5 3/8	5 3/4
	"B" Stub Height	5 7/8	6	7	8 3/4	10 1/4	12 3/4	15 1/8	17 7/16	20 1/8	21
45	Leg Length	2 1/16	2	2	2 5/8	3 1/2	4 1/4	5 1/8	5 7/8	6 3/4	7 1/4
	Unbent Length	7 1/4	7 1/2	8 1/2	11	13	16	18 1/2	22	25 1/4	27
	Diagonal	6 7/8	7 1/8	8 1/8	10 1/2	12 5/16	15 1/8	17 1/2	20 7/8	24	25 5/8
	"A" Offset	2 1/2	2 3/4	3	4	4 3/4	5 3/4	6 3/4	8	9 1/4	9 13/16
	"B" Stub Height	6 1/2	6 5/8	7 1/2	9 1/2	11 3/8	14	16 3/16	19 1/4	22 1/8	23 5/8
60	Leg Length	2	2	2	2 3/4	3	4 1/4	5 1/4	5 7/8	6 3/4	7
	Unbent Length	8 3/16	8 3/4	10	13	15 1/8	18 7/16	21 19/32	25 5/16	29 7/32	30 23/32
	Diagonal	7 1/2	8	9	12	13 7/8	16 7/8	19 5/8	23 1/4	26 3/4	28
	"A" Offset	3 3/4	4	4 1/2	6	7	8 7/16	9 13/16	11 5/8	13 3/8	14
	"B" Stub Height	6 7/16	6 15/16	8	10 3/8	12	14 5/8	17 1/16	20	23 3/8	24 5/16
90	Leg Length	2	2	2	2 3/4	3 1/4	4 5/16	5 1/4	5 13/16	6 3/4	6 15/16
	Unbent Length	10 5/16	11 1/16	13	16 3/4	19 1/2	23 1/2	27	32	37	39
	Diagonal	8 1/2	9	11	14	16 5/16	19 1/2	22 1/4	26 5/8	30 3/4	32 7/16
	"A" Offset	6	6 1/2	7 3/4	10	11 1/2	13 13/16	15 3/4	18 13/16	21 3/4	22 15/16
	"B" Stub Height	6	6 1/2	7 3/4	10	11 1/2	13 13/16	15 3/4	18 13/16	21 3/4	22 15/16

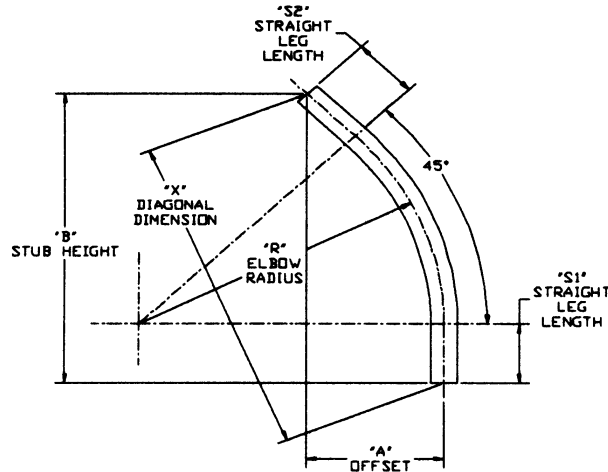
EMT SPECIAL RADIUS ELBOWS • 90 DEGREES



EMT SPECIAL RADIUS ELBOWS • 90 DEGREES

SIZE	RADIUS	12	15	18	24	30	36	42	48	60	
1	Leg Length	8 9/16	9 1/4	9 7/8	10 5/8	10 15/16	10 3/4	12	12 5/16		
	Unbent Length	36	42	48	59	69	78	90	100		
	Diagonal	29 1/8	34 1/4	39 7/16	49	57 7/8	66 1/6	76 3/8	85 5/16		
	"A" Offset	20 9/16	24 1/4	27 7/8	34 5/8	40 15/16	46 3/4	54	60 5/16		
	"B" Stub Height	20 9/16	24 1/4	27 7/8	34 5/8	40 15/16	46 3/4	54	60 5/16		
1 1/4	Leg Length	8 9/16	9 1/4	9 7/8	10 5/8	10 15/16	10 3/4	12	12 5/16		
	Unbent Length	36	42	48	59	69	78	90	100		
	Diagonal	29 1/8	34 1/4	39 7/16	49	57 7/8	66 1/6	76 3/8	85 5/16		
	"A" Offset	20 9/16	24 1/4	27 7/8	34 5/8	40 15/16	46 3/4	54	60 5/16		
	"B" Stub Height	20 9/16	24 1/4	27 7/8	34 5/8	40 15/16	46 3/4	54	60 5/16		
1 1/2	Leg Length	8 9/16	9 1/4	9 7/8	10 5/8	10 15/16	10 3/4	12	12 5/16		
	Unbent Length	36	42	48	59	69	78	90	100		
	Diagonal	29 1/8	34 1/4	39 7/16	49	57 7/8	66 1/6	76 3/8	85 5/16		
	"A" Offset	20 9/16	24 1/4	27 7/8	34 5/8	40 15/16	46 3/4	54	60 5/16		
	"B" Stub Height	20 9/16	24 1/4	27 7/8	34 5/8	40 15/16	46 3/4	54	60 5/16		
2	Leg Length	8 9/16	9 1/4	9 7/8	10 5/8	10 15/16	10 3/4	12	12 5/16		
	Unbent Length	36	42	48	59	69	78	90	100		
	Diagonal	29 1/8	34 1/4	39 7/16	49	57 7/8	66 1/6	76 3/8	85 5/16		
	"A" Offset	20 9/16	24 1/4	27 7/8	34 5/8	40 15/16	46 3/4	54	60 5/16		
	"B" Stub Height	20 9/16	24 1/4	27 7/8	34 5/8	40 15/16	46 3/4	54	60 5/16		
2 1/2	Leg Length	8 9/16	9 1/4	9 7/8	10 5/8	10 15/16	10 3/4	12	12 5/16		
	Unbent Length	36	42	48	59	69	78	90	100		
	Diagonal	29 1/8	34 1/4	39 7/16	49	57 7/8	66 1/6	76 3/8	85 5/16		
	"A" Offset	20 9/16	24 1/4	27 7/8	34 5/8	40 15/16	46 3/4	54	60 5/16		
	"B" Stub Height	20 9/16	24 1/4	27 7/8	34 5/8	40 15/16	46 3/4	54	60 5/16		
3	Leg Length		9 1/4	9 7/8	10 5/8	10 15/16	10 3/4	12	12 5/16		
	Unbent Length		42	48	59	69	78	90	100		
	Diagonal		34 1/4	39 7/16	49	57 7/8	66 1/6	76 3/8	85 5/16		
	"A" Offset		24 1/4	27 7/8	34 5/8	40 15/16	46 3/4	54	60 5/16		
	"B" Stub Height		24 1/4	27 7/8	34 5/8	40 15/16	46 3/4	54	60 5/16		
3 1/2	Leg Length			9 7/8	10 5/8	10 15/16	10 3/4	12	12 5/16		
	Unbent Length			48	59	69	78	90	100		
	Diagonal			39 7/16	49	57 7/8	66 1/6	76 3/8	85 5/16		
	"A" Offset			27 7/8	34 5/8	40 15/16	46 3/4	54	60 5/16		
	"B" Stub Height			27 7/8	34 5/8	40 15/16	46 3/4	54	60 5/16		
4	Leg Length				9 7/8	10 5/8	10 15/16	10 3/4	12	12 5/16	11 7/8
	Unbent Length				48	59	69	78	90	100	118
	Diagonal				39 7/16	49	57 7/8	66 1/6	76 3/8	85 5/16	101 11/16
	"A" Offset				27 7/8	34 5/8	40 15/16	46 3/4	54	60 5/16	71 7/8
	"B" Stub Height				27 7/8	34 5/8	40 15/16	46 3/4	54	60 5/16	71 7/8
5	Leg Length					10 15/16	10 3/4	12	12 5/16	11 7/8	
	Unbent Length					69	78	90	100	118	
	Diagonal					57 7/8	66 1/6	76 3/8	85 5/16	101 11/16	
	"A" Offset					40 15/16	46 3/4	54	60 5/16	71 7/8	
	"B" Stub Height					40 15/16	46 3/4	54	60 5/16	71 7/8	
6	Leg Length						10 3/4	12	12 5/16	11 7/8	
	Unbent Length						78	90	100	118	
	Diagonal						66 1/6	76 3/8	85 5/16	101 11/16	
	"A" Offset						46 3/4	54	60 5/16	71 7/8	
	"B" Stub Height						46 3/4	54	60 5/16	71 7/8	

EMT SPECIAL RADIUS ELBOWS • 45 DEGREES



EMT SPECIAL RADIUS ELBOWS • 45 DEGREES

SIZE	RADIUS	12	15	18	24	30	36	42	48	60
1	Leg Length	9	9	10	11	11	11	12	12	
	Unbent Length	27 7/16	29 3/4	34 1/8	40 7/8	45 9/16	50 1/4	56 15/16	61 5/8	
	Diagonal	25 13/16	28 1/16	32 1/4	38 3/4	43 5/16	47 7/8	54 1/4	58 7/8	
	"A" Offset	9 7/8	10 3/4	12 5/16	14 13/16	16 9/16	18 5/16	20 3/4	22 1/2	
	"B" Stub Height	23 7/8	25 15/16	29 13/16	35 3/4	40	44 3/16	50 1/8	54 3/8	
1 1/4	Leg Length	9	9	10	11	11	11	12	12	
	Unbent Length	27 7/16	29 3/4	34 1/8	40 7/8	45 9/16	50 1/4	56 15/16	61 5/8	
	Diagonal	25 13/16	28 1/16	32 1/4	38 3/4	43 5/16	47 7/8	54 1/4	58 7/8	
	"A" Offset	9 7/8	10 3/4	12 5/16	14 13/16	16 9/16	18 5/16	20 3/4	22 1/2	
	"B" Stub Height	23 7/8	25 15/16	29 13/16	35 3/4	40	44 3/16	50 1/8	54 3/8	
1 1/2	Leg Length	9	9	10	11	11	11	12	12	
	Unbent Length	27 7/16	29 3/4	34 1/8	40 7/8	45 9/16	50 1/4	56 15/16	61 5/8	
	Diagonal	25 13/16	28 1/16	32 1/4	38 3/4	43 5/16	47 7/8	54 1/4	58 7/8	
	"A" Offset	9 7/8	10 3/4	12 5/16	14 13/16	16 9/16	18 5/16	20 3/4	22 1/2	
	"B" Stub Height	23 7/8	25 15/16	29 13/16	35 3/4	40	44 3/16	50 1/8	54 3/8	
2	Leg Length	9	9	10	11	11	11	12	12	
	Unbent Length	27 7/16	29 3/4	34 1/8	40 7/8	45 9/16	50 1/4	56 15/16	61 5/8	
	Diagonal	25 13/16	28 1/16	32 1/4	38 3/4	43 5/16	47 7/8	54 1/4	58 7/8	
	"A" Offset	9 7/8	10 3/4	12 5/16	14 13/16	16 9/16	18 5/16	20 3/4	22 1/2	
	"B" Stub Height	23 7/8	25 15/16	29 13/16	35 3/4	40	44 3/16	50 1/8	54 3/8	
2 1/2	Leg Length	9	9	10	11	11	11	12	12	
	Unbent Length	27 7/16	29 3/4	34 1/8	40 7/8	45 9/16	50 1/4	56 15/16	61 5/8	
	Diagonal	25 13/16	28 1/16	32 1/4	38 3/4	43 5/16	47 7/8	54 1/4	58 7/8	
	"A" Offset	9 7/8	10 3/4	12 5/16	14 13/16	16 9/16	18 5/16	20 3/4	22 1/2	
	"B" Stub Height	23 7/8	25 15/16	29 13/16	35 3/4	40	44 3/16	50 1/8	54 3/8	
3	Leg Length		9	10	11	11	11	12	12	
	Unbent Length		29 3/4	34 1/8	40 7/8	45 9/16	50 1/4	56 15/16	61 5/8	
	Diagonal		28 1/16	32 1/4	38 3/4	43 5/16	47 7/8	54 1/4	58 7/8	
	"A" Offset		10 3/4	12 5/16	14 13/16	16 9/16	18 5/16	20 3/4	22 1/2	
	"B" Stub Height		25 15/16	29 13/16	35 3/4	40	44 3/16	50 1/8	54 3/8	
3 1/2	Leg Length			10	11	11	11	12	12	
	Unbent Length			34 1/8	40 7/8	45 9/16	50 1/4	56 15/16	61 5/8	
	Diagonal			32 1/4	38 3/4	43 5/16	47 7/8	54 1/4	58 7/8	
	"A" Offset			12 5/16	14 13/16	16 9/16	18 5/16	20 3/4	22 1/2	
	"B" Stub Height			29 13/16	35 3/4	40	44 3/16	50 1/8	54 3/8	
4	Leg Length			10	11	11	11	12	12	12
	Unbent Length			34 1/8	40 7/8	45 9/16	50 1/4	56 15/16	61 5/8	71 1/8
	Diagonal			32 1/4	38 3/4	43 5/16	47 7/8	54 1/4	58 7/8	68 1/8
	"A" Offset			12 5/16	14 13/16	16 9/16	18 5/16	20 3/4	22 1/2	26 1/16
	"B" Stub Height			29 13/16	35 3/4	40	44 3/16	50 1/8	54 3/8	62 15/16
5	Leg Length					11	11	12	12	12
	Unbent Length					45 9/16	50 1/4	56 15/16	61 5/8	71 1/8
	Diagonal					43 5/16	47 7/8	54 1/4	58 7/8	68 1/8
	"A" Offset					16 9/16	18 5/16	20 3/4	22 1/2	26 1/16
	"B" Stub Height					40	44 3/16	50 1/8	54 3/8	62 15/16
6	Leg Length						11	12	12	12
	Unbent Length						50 1/4	56 15/16	61 5/8	71 1/8
	Diagonal						47 7/8	54 1/4	58 7/8	68 1/8
	"A" Offset						18 5/16	20 3/4	22 1/2	26 1/16
	"B" Stub Height						44 3/16	50 1/8	54 3/8	62 15/16



IMC STANDARD RADIUS ELBOWS • PRICE GUIDE

IMC STANDARD RADIUS ELBOWS

CATALOG NUMBER	DESCRIPTION	WEIGHT PER 100 PIECES (lbs)	STANDARD CARTON	LIST PRICE PER 100 PIECES
IMCELB1/2X90	1/2X90 IMC ELBOW	54	50	1,433.81
IMCELB3/4X90	3/4X90 IMC ELBOW	82	50	1,751.44
IMCELB1X90	1X90 IMC ELBOW	149	25	2,522.26
IMCELB1-1/4X90	1-1/4X90 IMC ELBOW	221	10	4,091.18
IMCELB1-1/2X90	1-1/2X90 IMC ELBOW	305	15	4,589.29
IMCELB2X90	2X90 IMC ELBOW	485	10	6,612.15
IMCELB2-1/2X90	2-1/2X90 IMC ELBOW	950	BLK	11,734.29
IMCELB3X90	3X90 IMC ELBOW	1312	BLK	17,959.68
IMCELB3-1/2X90	3-1/2X90 IMC ELBOW	1719	BLK	27,371.34
IMCELB4X90	4X90 IMC ELBOW	2050	BLK	31,753.51
IMCELB1/2X45	1/2X45 IMC ELBOW	46	50	1,433.81
IMCELB3/4X45	3/4X45 IMC ELBOW	70	50	1,751.44
IMCELB1X45	1X45 IMC ELBOW	127	25	2,522.26
IMCELB1-1/4X45	1-1/4X45 IMC ELBOW	188	10	4,091.18
IMCELB1-1/2X45	1-1/2X45 IMC ELBOW	259	15	4,589.29
IMCELB2X45	2X45 IMC ELBOW	412	10	6,612.15
IMCELB2-1/2X45	2-1/2X45 IMC ELBOW	808	BLK	11,734.29
IMCELB3X45	3X45 IMC ELBOW	1115	BLK	17,959.68
IMCELB3-1/2X45	3-1/2X45 IMC ELBOW	1461	BLK	27,371.34
IMCELB4X45	4X45 IMC ELBOW	1743	BLK	31,753.51

NOTE: Weights shown are approximate for 90° elbows. To arrive at weights for 45° elbows deduct 15%.
 Sizes 2-1/2" and larger shipped in palletized cartons or bulk, thread protectors each end and ECN/Korns identifying label.



IMC SPECIAL RADIUS ELBOWS • PRICE GUIDE

IMC SPECIAL RADIUS ELBOWS

CATALOG NUMBER	DESCRIPTION	APP WEIGHT (lbs)	STANDARD CARTON	LIST PRICE EACH
IMCELB1X90X12	1X90X12 IMC ELBOW	3	BLK	82.17
IMCELB1-1/4X90X12	1-1/4X90X12 IMC ELBOW	4	BLK	95.47
IMCELB1-1/2X90X12	1-1/2X90X12 IMC ELBOW	5	BLK	119.93
IMCELB2X90X12	2X90X12 IMC ELBOW	7	BLK	147.85
IMCELB2-1/2X90X12	2-1/2X90X12 IMC ELBOW	11	BLK	177.42
IMCELB1X45X12	1X45X12 IMC ELBOW	3	BLK	82.17
IMCELB1-1/4X45X12	1-1/4X45X12 IMC ELBOW	3	BLK	95.47
IMCELB1-1/2X45X12	1-1/2X45X12 IMC ELBOW	4	BLK	119.93
IMCELB2X45X12	2X45X12 IMC ELBOW	6	BLK	147.85
IMCELB2-1/2X45X12	2-1/2X45X12 IMC ELBOW	9	BLK	177.42
IMCELB1X60X12	1X60X12 IMC ELBOW	3	BLK	82.17
IMCELB1-1/4X60X12	1-1/4X60X12 IMC ELBOW	4	BLK	95.47
IMCELB1-1/2X60X12	1-1/2X60X12 IMC ELBOW	5	BLK	119.93
IMCELB2X60X12	2X60X12 IMC ELBOW	6	BLK	147.85
IMCELB2-1/2X60X12	2-1/2X60X12 IMC ELBOW	10	BLK	177.42
IMCELB1X30X12	1X30X12 IMC ELBOW	2	BLK	82.17
IMCELB1-1/4X30X12	1-1/4X30X12 IMC ELBOW	3	BLK	95.47
IMCELB1-1/2X30X12	1-1/2X30X12 IMC ELBOW	4	BLK	119.93
IMCELB2X30X12	2X30X12 IMC ELBOW	6	BLK	147.85
IMCELB2-1/2X30X12	2-1/2X30X12 IMC ELBOW	9	BLK	177.42
IMCELB1X90X15	1X90X15 IMC ELBOW	4	BLK	97.22
IMCELB1-1/4X90X15	1-1/4X90X15 IMC ELBOW	5	BLK	147.74
IMCELB1-1/2X90X15	1-1/2X90X15 IMC ELBOW	6	BLK	155.28
IMCELB2X90X15	2X90X15 IMC ELBOW	8	BLK	176.08
IMCELB2-1/2X90X15	2-1/2X90X15 IMC ELBOW	13	BLK	211.30
IMCELB3X90X15	3X90X15 IMC ELBOW	16	BLK	310.76
IMCELB1X45X15	1X45X15 IMC ELBOW	3	BLK	97.22
IMCELB1-1/4X45X15	1-1/4X45X15 IMC ELBOW	4	BLK	147.74
IMCELB1-1/2X45X15	1-1/2X45X15 IMC ELBOW	5	BLK	155.28
IMCELB2X45X15	2X45X15 IMC ELBOW	7	BLK	176.08
IMCELB2-1/2X45X15	2-1/2X45X15 IMC ELBOW	11	BLK	211.30
IMCELB3X45X15	3X45X15 IMC ELBOW	14	BLK	310.76
IMCELB1X60X15	1X60X15 IMC ELBOW	4	BLK	97.22
IMCELB1-1/4X60X15	1-1/4X60X15 IMC ELBOW	5	BLK	147.74
IMCELB1-1/2X60X15	1-1/2X60X15 IMC ELBOW	5	BLK	155.28
IMCELB2X60X15	2X60X15 IMC ELBOW	7	BLK	176.08
IMCELB2-1/2X60X15	2-1/2X60X15 IMC ELBOW	12	BLK	211.30
IMCELB3X60X15	3X60X15 IMC ELBOW	14	BLK	310.76
IMCELB1X30X15	1X30X15 IMC ELBOW	3	BLK	97.22
IMCELB1-1/4X30X15	1-1/4X30X15 IMC ELBOW	4	BLK	147.74
IMCELB1-1/2X30X15	1-1/2X30X15 IMC ELBOW	5	BLK	155.28
IMCELB2X30X15	2X30X15 IMC ELBOW	6	BLK	176.08
IMCELB2-1/2X30X15	2-1/2X30X15 IMC ELBOW	10	BLK	211.30
IMCELB3X30X15	3X30X15 IMC ELBOW	13	BLK	310.76

NOTES: Prices are available for special sizes, bends and lengths. Prices shown are for 30°, 45°, 60° and 90° elbows. Weights shown are approximate for 90° elbows. To arrive at weights for 45° elbows deduct 15%.

Continued next page

All IMC elbows are noncancelable and nonreturnable.



IMC SPECIAL RADIUS ELBOWS • PRICE GUIDE

IMC SPECIAL RADIUS ELBOWS

CATALOG NUMBER	DESCRIPTION	APP WEIGHT (lbs)	STANDARD CARTON	LIST PRICE EACH
IMCELB1X90X18	1X90X18 IMC ELBOW	5	BLK	85.98
IMCELB1-1/4X90X18	1-1/4X90X18 IMC ELBOW	6	BLK	147.74
IMCELB1-1/2X90X18	1-1/2X90X18 IMC ELBOW	7	BLK	175.09
IMCELB2X90X18	2X90X18 IMC ELBOW	9	BLK	220.88
IMCELB2-1/2X90X18	2-1/2X90X18 IMC ELBOW	15	BLK	283.73
IMCELB3X90X18	3X90X18 IMC ELBOW	18	BLK	358.61
IMCELB3-1/2X90X18	3-1/2X90X18 IMC ELBOW	20	BLK	524.83
IMCELB4X90X18	4X90X18 IMC ELBOW	23	BLK	575.02
IMCELB1X45X18	1X45X18 IMC ELBOW	4	BLK	85.98
IMCELB1-1/4X45X18	1-1/4X45X18 IMC ELBOW	5	BLK	147.74
IMCELB1-1/2X45X18	1-1/2X45X18 IMC ELBOW	6	BLK	175.09
IMCELB2X45X18	2X45X18 IMC ELBOW	8	BLK	220.88
IMCELB2-1/2X45X18	2-1/2X45X18 IMC ELBOW	10	BLK	283.73
IMCELB3X45X18	3X45X18 IMC ELBOW	15	BLK	358.61
IMCELB3-1/2X45X18	3-1/2X45X18 IMC ELBOW	17	BLK	524.83
IMCELB4X45X18	4X45X18 IMC ELBOW	20	BLK	575.02
IMCELB1X60X18	1X60X18 IMC ELBOW	5	BLK	85.98
IMCELB1-1/4X60X18	1-1/4X60X18 IMC ELBOW	5	BLK	147.74
IMCELB1-1/2X60X18	1-1/2X60X18 IMC ELBOW	6	BLK	175.09
IMCELB2X60X18	2X60X18 IMC ELBOW	8	BLK	220.88
IMCELB2-1/2X60X18	2-1/2X60X18 IMC ELBOW	9	BLK	283.73
IMCELB3X60X18	3X60X18 IMC ELBOW	16	BLK	358.61
IMCELB3-1/2X60X18	3-1/2X60X18 IMC ELBOW	18	BLK	524.83
IMCELB4X60X18	4X60X18 IMC ELBOW	21	BLK	575.02
IMCELB1X30X18	1X30X18 IMC ELBOW	4	BLK	85.98
IMCELB1-1/4X30X18	1-1/4X30X18 IMC ELBOW	5	BLK	147.74
IMCELB1-1/2X30X18	1-1/2X30X18 IMC ELBOW	6	BLK	175.09
IMCELB2X30X18	2X30X18 IMC ELBOW	6	BLK	220.88
IMCELB2-1/2X30X18	2-1/2X30X18 IMC ELBOW	7	BLK	283.73
IMCELB3X30X18	3X30X18 IMC ELBOW	14	BLK	358.61
IMCELB3-1/2X30X18	3-1/2X30X18 IMC ELBOW	16	BLK	524.83
IMCELB4X30X18	4X30X18 IMC ELBOW	18	BLK	575.02
IMCELB1X90X24	1X90X24 IMC ELBOW	6	BLK	143.24
IMCELB1-1/4X90X24	1-1/4X90X24 IMC ELBOW	7	BLK	169.50
IMCELB1-1/2X90X24	1-1/2X90X24 IMC ELBOW	9	BLK	200.12
IMCELB2X90X24	2X90X24 IMC ELBOW	11	BLK	270.77
IMCELB2-1/2X90X24	2-1/2X90X24 IMC ELBOW	18	BLK	362.28
IMCELB3X90X24	3X90X24 IMC ELBOW	22	BLK	451.32
IMCELB3-1/2X90X24	3-1/2X90X24 IMC ELBOW	25	BLK	618.56
IMCELB4X90X24	4X90X24 IMC ELBOW	29	BLK	679.58
IMCELB1X45X24	1X45X24 IMC ELBOW	5	BLK	143.24
IMCELB1-1/4X45X24	1-1/4X45X24 IMC ELBOW	6	BLK	169.50
IMCELB1-1/2X45X24	1-1/2X45X24 IMC ELBOW	8	BLK	200.12
IMCELB2X45X24	2X45X24 IMC ELBOW	9	BLK	270.77
IMCELB2-1/2X45X24	2-1/2X45X24 IMC ELBOW	15	BLK	362.28
IMCELB3X45X24	3X45X24 IMC ELBOW	19	BLK	451.32
IMCELB3-1/2X45X24	3-1/2X45X24 IMC ELBOW	21	BLK	618.56
IMCELB4X45X24	4X45X24 IMC ELBOW	25	BLK	679.58

Continued next page



IMC SPECIAL RADIUS ELBOWS • PRICE GUIDE

IMC SPECIAL RADIUS ELBOWS

CATALOG NUMBER	DESCRIPTION	APP WEIGHT (lbs)	STANDARD CARTON	LIST PRICE EACH
IMCELB1X60X24	1X60X24 IMC ELBOW	5	BLK	143.24
IMCELB1-1/4X60X24	1-1/4X60X24 IMC ELBOW	6	BLK	169.50
IMCELB1-1/2X60X24	1-1/2X60X24 IMC ELBOW	8	BLK	200.12
IMCELB2X60X24	2X60X24 IMC ELBOW	10	BLK	270.77
IMCELB2-1/2X60X24	2-1/2X60X24 IMC ELBOW	16	BLK	362.28
IMCELB3X60X24	3X60X24 IMC ELBOW	20	BLK	451.32
IMCELB3-1/2X60X24	3-1/2X60X24 IMC ELBOW	23	BLK	618.56
IMCELB4X60X24	4X60X24 IMC ELBOW	26	BLK	679.58
IMCELB1X30X24	1X30X24 IMC ELBOW	5	BLK	143.24
IMCELB1-1/4X30X24	1-1/4X30X24 IMC ELBOW	6	BLK	169.50
IMCELB1-1/2X30X24	1-1/2X30X24 IMC ELBOW	7	BLK	200.12
IMCELB2X30X24	2X30X24 IMC ELBOW	9	BLK	270.77
IMCELB2-1/2X30X24	2-1/2X30X24 IMC ELBOW	14	BLK	362.28
IMCELB3X30X24	3X30X24 IMC ELBOW	18	BLK	451.32
IMCELB3-1/2X30X24	3-1/2X30X24 IMC ELBOW	20	BLK	618.56
IMCELB4X30X24	4X30X24 IMC ELBOW	23	BLK	679.58
IMCELB1X90X30	1X90X30 IMC ELBOW	7	BLK	112.20
IMCELB1-1/4X90X30	1-1/4X90X30 IMC ELBOW	10	BLK	145.29
IMCELB1-1/2X90X30	1-1/2X90X30 IMC ELBOW	10	BLK	169.20
IMCELB2X90X30	2X90X30 IMC ELBOW	13	BLK	215.14
IMCELB2-1/2X90X30	2-1/2X90X30 IMC ELBOW	21	BLK	278.75
IMCELB3X90X30	3X90X30 IMC ELBOW	26	BLK	524.55
IMCELB3-1/2X90X30	3-1/2X90X30 IMC ELBOW	30	BLK	711.08
IMCELB4X90X30	4X90X30 IMC ELBOW	34	BLK	782.79
IMCELB1X45X30	1X45X30 IMC ELBOW	6	BLK	112.20
IMCELB1-1/4X45X30	1-1/4X45X30 IMC ELBOW	9	BLK	145.29
IMCELB1-1/2X45X30	1-1/2X45X30 IMC ELBOW	9	BLK	169.20
IMCELB2X45X30	2X45X30 IMC ELBOW	11	BLK	215.14
IMCELB2-1/2X45X30	2-1/2X45X30 IMC ELBOW	18	BLK	278.75
IMCELB3X45X30	3X45X30 IMC ELBOW	22	BLK	524.55
IMCELB3-1/2X45X30	3-1/2X45X30 IMC ELBOW	26	BLK	711.08
IMCELB4X45X30	4X45X30 IMC ELBOW	29	BLK	782.79
IMCELB1X60X30	1X60X30 IMC ELBOW	6	BLK	112.20
IMCELB1-1/4X60X30	1-1/4X60X30 IMC ELBOW	9	BLK	145.29
IMCELB1-1/2X60X30	1-1/2X60X30 IMC ELBOW	9	BLK	169.20
IMCELB2X60X30	2X60X30 IMC ELBOW	12	BLK	215.14
IMCELB2-1/2X60X30	2-1/2X60X30 IMC ELBOW	19	BLK	278.75
IMCELB3X60X30	3X60X30 IMC ELBOW	23	BLK	524.55
IMCELB3-1/2X60X30	3-1/2X60X30 IMC ELBOW	27	BLK	711.08
IMCELB4X60X30	4X60X30 IMC ELBOW	31	BLK	782.79
IMCELB1X30X30	1X30X30 IMC ELBOW	6	BLK	112.20
IMCELB1-1/4X30X30	1-1/4X30X30 IMC ELBOW	8	BLK	145.29
IMCELB1-1/2X30X30	1-1/2X30X30 IMC ELBOW	8	BLK	169.20
IMCELB2X30X30	2X30X30 IMC ELBOW	10	BLK	215.14
IMCELB2-1/2X30X30	2-1/2X30X30 IMC ELBOW	17	BLK	278.75
IMCELB3X30X30	3X30X30 IMC ELBOW	21	BLK	524.55
IMCELB3-1/2X30X30	3-1/2X30X30 IMC ELBOW	24	BLK	711.08
IMCELB4X30X30	4X30X30 IMC ELBOW	27	BLK	782.79

Continued next page



IMC SPECIAL RADIUS ELBOWS • PRICE GUIDE

IMC SPECIAL RADIUS ELBOWS

CATALOG NUMBER	DESCRIPTION	APP WEIGHT (lbs)	STANDARD CARTON	LIST PRICE EACH
IMCELB1X90X36	1X90X36 IMC ELBOW	8	BLK	189.59
IMCELB1-1/4X90X36	1-1/4X90X36 IMC ELBOW	10	BLK	189.59
IMCELB1-1/2X90X36	1-1/2X90X36 IMC ELBOW	12	BLK	272.40
IMCELB2X90X36	2X90X36 IMC ELBOW	15	BLK	344.58
IMCELB2-1/2X90X36	2-1/2X90X36 IMC ELBOW	24	BLK	467.02
IMCELB3X90X36	3X90X36 IMC ELBOW	30	BLK	768.94
IMCELB3-1/2X90X36	3-1/2X90X36 IMC ELBOW	34	BLK	830.13
IMCELB4X90X36	4X90X36 IMC ELBOW	38	BLK	912.87
IMCELB1X45X36	1X45X36 IMC ELBOW	7	BLK	189.59
IMCELB1-1/4X45X36	1-1/4X45X36 IMC ELBOW	7	BLK	189.59
IMCELB1-1/2X45X36	1-1/2X45X36 IMC ELBOW	8	BLK	272.40
IMCELB2X45X36	2X45X36 IMC ELBOW	13	BLK	344.58
IMCELB2-1/2X45X36	2-1/2X45X36 IMC ELBOW	20	BLK	467.02
IMCELB3X45X36	3X45X36 IMC ELBOW	26	BLK	768.94
IMCELB3-1/2X45X36	3-1/2X45X36 IMC ELBOW	29	BLK	830.13
IMCELB4X45X36	4X45X36 IMC ELBOW	32	BLK	912.87
IMCELB1X60X36	1X60X36 IMC ELBOW	8	BLK	189.59
IMCELB1-1/4X60X36	1-1/4X60X36 IMC ELBOW	10	BLK	189.59
IMCELB1-1/2X60X36	1-1/2X60X36 IMC ELBOW	12	BLK	272.40
IMCELB2X60X36	2X60X36 IMC ELBOW	15	BLK	344.58
IMCELB2-1/2X60X36	2-1/2X60X36 IMC ELBOW	24	BLK	467.02
IMCELB3X60X36	3X60X36 IMC ELBOW	30	BLK	768.94
IMCELB3-1/2X60X36	3-1/2X60X36 IMC ELBOW	34	BLK	830.13
IMCELB4X60X36	4X60X36 IMC ELBOW	38	BLK	912.87
IMCELB1X30X36	1X30X36 IMC ELBOW	6	BLK	189.59
IMCELB1-1/4X30X36	1-1/4X30X36 IMC ELBOW	8	BLK	189.59
IMCELB1-1/2X30X36	1-1/2X30X36 IMC ELBOW	8	BLK	272.40
IMCELB2X30X36	2X30X36 IMC ELBOW	12	BLK	344.58
IMCELB2-1/2X30X36	2-1/2X30X36 IMC ELBOW	19	BLK	467.02
IMCELB3X30X36	3X30X36 IMC ELBOW	24	BLK	768.94
IMCELB3-1/2X30X36	3-1/2X30X36 IMC ELBOW	27	BLK	830.13
IMCELB4X30X36	4X30X36 IMC ELBOW	30	BLK	912.87
IMCELB1X90X42	1X90X42 IMC ELBOW	9	BLK	149.99
IMCELB1-1/4X90X42	1-1/4X90X42 IMC ELBOW	11	BLK	182.04
IMCELB1-1/2X90X42	1-1/2X90X42 IMC ELBOW	14	BLK	216.61
IMCELB2X90X42	2X90X42 IMC ELBOW	17	BLK	275.37
IMCELB2-1/2X90X42	2-1/2X90X42 IMC ELBOW	28	BLK	361.68
IMCELB3X90X42	3X90X42 IMC ELBOW	34	BLK	473.32
IMCELB3-1/2X90X42	3-1/2X90X42 IMC ELBOW	39	BLK	622.73
IMCELB4X90X42	4X90X42 IMC ELBOW	44	BLK	1116.79
IMCELB1X45X42	1X45X42 IMC ELBOW	8	BLK	149.99
IMCELB1-1/4X45X42	1-1/4X45X42 IMC ELBOW	9	BLK	182.04
IMCELB1-1/2X45X42	1-1/2X45X42 IMC ELBOW	12	BLK	216.61
IMCELB2X45X42	2X45X42 IMC ELBOW	14	BLK	275.37
IMCELB2-1/2X45X42	2-1/2X45X42 IMC ELBOW	24	BLK	361.68
IMCELB3X45X42	3X45X42 IMC ELBOW	29	BLK	473.32
IMCELB3-1/2X45X42	3-1/2X45X42 IMC ELBOW	33	BLK	622.73
IMCELB4X45X42	4X45X42 IMC ELBOW	37	BLK	1116.79

Continued next page



IMC SPECIAL RADIUS ELBOWS • PRICE GUIDE

IMC SPECIAL RADIUS ELBOWS

CATALOG NUMBER	DESCRIPTION	APP WEIGHT (lbs)	STANDARD CARTON	LIST PRICE EACH
IMCELB1X60X42	1X60X42 IMC ELBOW	8	BLK	149.99
IMCELB1-1/4X60X42	1-1/4X60X42 IMC ELBOW	10	BLK	182.04
IMCELB1-1/2X60X42	1-1/2X60X42 IMC ELBOW	13	BLK	216.61
IMCELB2X60X42	2X60X42 IMC ELBOW	15	BLK	275.37
IMCELB2-1/2X60X42	2-1/2X60X42 IMC ELBOW	25	BLK	361.68
IMCELB3X60X42	3X60X42 IMC ELBOW	31	BLK	473.32
IMCELB3-1/2X60X42	3-1/2X60X42 IMC ELBOW	35	BLK	622.73
IMCELB4X60X42	4X60X42 IMC ELBOW	40	BLK	1116.79
IMCELB1X30X42	1X30X42 IMC ELBOW	7	BLK	149.99
IMCELB1-1/4X30X42	1-1/4X30X42 IMC ELBOW	9	BLK	182.04
IMCELB1-1/2X30X42	1-1/2X30X42 IMC ELBOW	11	BLK	216.61
IMCELB2X30X42	2X30X42 IMC ELBOW	14	BLK	275.37
IMCELB2-1/2X30X42	2-1/2X30X42 IMC ELBOW	22	BLK	361.68
IMCELB3X30X42	3X30X42 IMC ELBOW	27	BLK	473.32
IMCELB3-1/2X30X42	3-1/2X30X42 IMC ELBOW	31	BLK	622.73
IMCELB4X30X42	4X30X42 IMC ELBOW	35	BLK	1116.79
IMCELB1X90X48	1X90X48 IMC ELBOW	10	BLK	167.20
IMCELB1-1/4X90X48	1-1/4X90X48 IMC ELBOW	12	BLK	202.67
IMCELB1-1/2X90X48	1-1/2X90X48 IMC ELBOW	15	BLK	241.44
IMCELB2X90X48	2X90X48 IMC ELBOW	19	BLK	312.02
IMCELB2-1/2X90X48	2-1/2X90X48 IMC ELBOW	31	BLK	427.95
IMCELB3X90X48	3X90X48 IMC ELBOW	38	BLK	771.69
IMCELB3-1/2X90X48	3-1/2X90X48 IMC ELBOW	44	BLK	1046.26
IMCELB4X90X48	4X90X48 IMC ELBOW	49	BLK	1264.93
IMCELB1X45X48	1X45X48 IMC ELBOW	9	BLK	167.20
IMCELB1-1/4X45X48	1-1/4X45X48 IMC ELBOW	10	BLK	202.67
IMCELB1-1/2X45X48	1-1/2X45X48 IMC ELBOW	13	BLK	241.44
IMCELB2X45X48	2X45X48 IMC ELBOW	16	BLK	312.02
IMCELB2-1/2X45X48	2-1/2X45X48 IMC ELBOW	26	BLK	427.95
IMCELB3X45X48	3X45X48 IMC ELBOW	32	BLK	771.69
IMCELB3-1/2X45X48	3-1/2X45X48 IMC ELBOW	37	BLK	1046.26
IMCELB4X45X48	4X45X48 IMC ELBOW	42	BLK	1264.93
IMCELB1X60X48	1X60X48 IMC ELBOW	9	BLK	167.20
IMCELB1-1/4X60X48	1-1/4X60X48 IMC ELBOW	11	BLK	202.67
IMCELB1-1/2X60X48	1-1/2X60X48 IMC ELBOW	14	BLK	241.44
IMCELB2X60X48	2X60X48 IMC ELBOW	17	BLK	312.02
IMCELB2-1/2X60X48	2-1/2X60X48 IMC ELBOW	28	BLK	427.95
IMCELB3X60X48	3X60X48 IMC ELBOW	34	BLK	771.69
IMCELB3-1/2X60X48	3-1/2X60X48 IMC ELBOW	40	BLK	1046.26
IMCELB4X60X48	4X60X48 IMC ELBOW	44	BLK	1264.93
IMCELB1X30X48	1X30X48 IMC ELBOW	8	BLK	167.20
IMCELB1-1/4X30X48	1-1/4X30X48 IMC ELBOW	10	BLK	202.67
IMCELB1-1/2X30X48	1-1/2X30X48 IMC ELBOW	12	BLK	241.44
IMCELB2X30X48	2X30X48 IMC ELBOW	15	BLK	312.02
IMCELB2-1/2X30X48	2-1/2X30X48 IMC ELBOW	25	BLK	427.95
IMCELB3X30X48	3X30X48 IMC ELBOW	30	BLK	771.69
IMCELB3-1/2X30X48	3-1/2X30X48 IMC ELBOW	35	BLK	1046.26
IMCELB4X30X48	4X30X48 IMC ELBOW	39	BLK	1264.93



ALUMINUM CONDUIT COUPLINGS & STANDARD RADIUS ELBOWS • PRICE GUIDE

ALUMINUM CONDUIT COUPLINGS

CATALOG NUMBER	DESCRIPTION	WEIGHT PER 100 PIECES (lbs)	STANDARD CARTON	LIST PRICE PER 100 PIECES
ALUCPLG-1/2	1/2 ALUMINUM COUPLING	6	50	516.60
ALUCPLG-3/4	3/4 ALUMINUM COUPLING	9	50	781.69
ALUCPLG-1	1 ALUMINUM COUPLING	13	50	1,031.27
ALUCPLG-1-1/4	1-1/4 ALUMINUM COUPLING	19	50	1,260.42
ALUCPLG-1-1/2	1-1/2 ALUMINUM COUPLING	23	50	1,456.50
ALUCPLG-2	2 ALUMINUM COUPLING	35	20	2,068.27
ALUCPLG-2-1/2	2-1/2 ALUMINUM COUPLING	68	12	4,658.35
ALUCPLG-3	3 ALUMINUM COUPLING	91	12	6,078.01
ALUCPLG-3-1/2	3-1/2 ALUMINUM COUPLING	108	12	8,350.34
ALUCPLG-4	4 ALUMINUM COUPLING	142	12	10,053.38
ALUCPLG-5	5 ALUMINUM COUPLING	242	BLK	33,947.29
ALUCPLG-6	6 ALUMINUM COUPLING	320	BLK	52,985.59

ALUMINUM CONDUIT STANDARD RADIUS ELBOWS

CATALOG NUMBER	DESCRIPTION	WEIGHT PER 100 PIECES (lbs)	STANDARD CARTON	LIST PRICE PER 100 PIECES	RADIUS
ALUELB1/2X90	1/2X90 ALUMINUM ELBOW	26	10	1,568.60	4.25"
ALUELB3/4X90	3/4X90 ALUMINUM ELBOW	36	10	2,131.03	4.50"
ALUELB1X90	1X90 ALUMINUM ELBOW	63	10	2,969.38	5.75"
ALUELB1-1/4X90	1 1/4X90 ALUMINUM ELBOW	101	10	4,720.61	7.25"
ALUELB1-1/2X90	1 1/2X90 ALUMINUM ELBOW	140	10	6,279.68	8.25"
ALUELB2X90	2X90 ALUMINUM ELBOW	230	10	9,243.49	9.50"
ALUELB2-1/2X90	2 1/2X90 ALUMINUM ELBOW	408	BLK	15,580.00	10.50"
ALUELB3X90	3X90 ALUMINUM ELBOW	641	BLK	24,065.33	13.00"
ALUELB3-1/2X90	3 1/2X90 ALUMINUM ELBOW	893	BLK	37,533.27	15.00"
ALUELB4X90	4X90 ALUMINUM ELBOW	1114	BLK	44,503.57	16.00"
ALUELB5X90	5X90 ALUMINUM ELBOW	2472	BLK	131,588.31	24.00"
ALUELB6X90	6X90 ALUMINUM ELBOW	3872	BLK	182,063.27	30.00"
ALUELB1/2X45	1/2X45 ALUMINUM ELBOW	22	10	1,568.60	4.25"
ALUELB3/4X45	3/4X45 ALUMINUM ELBOW	31	10	2,131.03	4.50"
ALUELB1X45	1X45 ALUMINUM ELBOW	54	10	2,969.38	5.75"
ALUELB1-1/4X45	1 1/4X45 ALUMINUM ELBOW	86	10	4,720.61	7.25"
ALUELB1-1/2X45	1 1/2X45 ALUMINUM ELBOW	119	10	6,279.68	8.25"
ALUELB2X45	2X45 ALUMINUM ELBOW	196	10	9,243.49	9.50"
ALUELB2-1/2X45	2 1/2X45 ALUMINUM ELBOW	347	BLK	15,580.00	10.50"
ALUELB3X45	3X45 ALUMINUM ELBOW	545	BLK	24,065.33	13.00"
ALUELB3-1/2X45	3 1/2X45 ALUMINUM ELBOW	759	BLK	37,533.27	15.00"
ALUELB4X45	4X45 ALUMINUM ELBOW	947	BLK	44,503.57	16.00"
ALUELB5X45	5X45 ALUMINUM ELBOW	2101	BLK	131,588.31	24.00"
ALUELB6X45	6X45 ALUMINUM ELBOW	3291	BLK	182,063.27	30.00"



ALUMINUM SPECIAL RADIUS ELBOWS • PRICE GUIDE

ALUMINUM SPECIAL RADIUS ELBOWS

CATALOG NUMBER	DESCRIPTION	APP WEIGHT (lbs)	STANDARD CARTON	LIST PRICE EACH
ALUELB1X90X12	1X90X12 ALUMINUM ELBOW	2	BLK	117.17
ALUELB1-1/4X90X12	1-1/4X90X12 ALUMINUM ELBOW	2	BLK	135.00
ALUELB1-1/2X90X12	1-1/2X90X12 ALUMINUM ELBOW	3	BLK	173.59
ALUELB2X90X12	2X90X12 ALUMINUM ELBOW	4	BLK	213.86
ALUELB2-1/2X90X12	2-1/2X90X12 ALUMINUM ELBOW	6	BLK	257.31
ALUELB1X45X12	1X45X12 ALUMINUM ELBOW	2	BLK	117.17
ALUELB1-1/4X45X12	1-1/4X45X12 ALUMINUM ELBOW	2	BLK	135.00
ALUELB1-1/2X45X12	1-1/2X45X12 ALUMINUM ELBOW	3	BLK	173.59
ALUELB2X45X12	2X45X12 ALUMINUM ELBOW	3	BLK	213.86
ALUELB2-1/2X45X12	2-1/2X45X12 ALUMINUM ELBOW	5	BLK	257.31
ALUELB1X60X12	1X60X12 ALUMINUM ELBOW	2	BLK	117.17
ALUELB1-1/4X60X12	1-1/4X60X12 ALUMINUM ELBOW	2	BLK	135.00
ALUELB1-1/2X60X12	1-1/2X60X12 ALUMINUM ELBOW	3	BLK	173.59
ALUELB2X60X12	2X60X12 ALUMINUM ELBOW	4	BLK	213.86
ALUELB1X30X12	1X30X12 ALUMINUM ELBOW	2	BLK	117.17
ALUELB1-1/4X30X12	1-1/4X30X12 ALUMINUM ELBOW	2	BLK	135.00
ALUELB1-1/2X30X12	1-1/2X30X12 ALUMINUM ELBOW	2	BLK	173.59
ALUELB2X30X12	2X30X12 ALUMINUM ELBOW	3	BLK	213.86
ALUELB2-1/2X30X12	2-1/2X30X12 ALUMINUM ELBOW	5	BLK	257.31
ALUELB2-1/2X60X12	2-1/2X60X12 ALUMINUM ELBOW	5	BLK	257.31
ALUELB1X90X15	1X90X15 ALUMINUM ELBOW	2	BLK	169.96
ALUELB1-1/4X90X15	1-1/4X90X15 ALUMINUM ELBOW	3	BLK	201.52
ALUELB1-1/2X90X15	1-1/2X90X15 ALUMINUM ELBOW	3	BLK	245.59
ALUELB2X90X15	2X90X15 ALUMINUM ELBOW	4	BLK	254.48
ALUELB2-1/2X90X15	2-1/2X90X15 ALUMINUM ELBOW	7	BLK	340.39
ALUELB3X90X15	3X90X15 ALUMINUM ELBOW	9	BLK	453.57
ALUELB1X45X15	1X45X15 ALUMINUM ELBOW	2	BLK	169.96
ALUELB1-1/4X45X15	1-1/4X45X15 ALUMINUM ELBOW	3	BLK	201.52
ALUELB1-1/2X45X15	1-1/2X45X15 ALUMINUM ELBOW	3	BLK	245.59
ALUELB2X45X15	2X45X15 ALUMINUM ELBOW	3	BLK	254.48
ALUELB2-1/2X45X15	2-1/2X45X15 ALUMINUM ELBOW	6	BLK	340.39
ALUELB3X45X15	3X45X15 ALUMINUM ELBOW	8	BLK	453.57
ALUELB1X60X15	1X60X15 ALUMINUM ELBOW	2	BLK	169.96
ALUELB1-1/4X60X15	1-1/4X60X15 ALUMINUM ELBOW	3	BLK	201.52
ALUELB1-1/2X60X15	1-1/2X60X15 ALUMINUM ELBOW	3	BLK	245.59
ALUELB2X60X15	2X60X15 ALUMINUM ELBOW	4	BLK	254.48
ALUELB2-1/2X60X15	2-1/2X60X15 ALUMINUM ELBOW	6	BLK	340.39
ALUELB3X60X15	3X60X15 ALUMINUM ELBOW	8	BLK	453.57

Continued next page

NOTES: Prices are available upon request for special sizes, bends, and lengths. Prices shown are for 90° elbows. Weights shown are approximate for 90° elbows. To arrive at weights for 60° elbows deduct 10%, for 45° elbows deduct 15%, and for 30° elbows deduct 20%.

**All products on this page are made to order. Consult factory for lead times.
All Aluminum elbows are noncancelable and nonreturnable.**



ALUMINUM SPECIAL RADIUS ELBOWS • PRICE GUIDE

ALUMINUM SPECIAL RADIUS ELBOWS

CATALOG NUMBER	DESCRIPTION	APP WEIGHT (lbs)	STANDARD CARTON	LIST PRICE EACH
ALUELB1X30X15	1X30X15 ALUMINUM ELBOW	2	BLK	169.96
ALUELB1-1/4X30X15	1-1/4X30X15 ALUMINUM ELBOW	2	BLK	201.52
ALUELB1-1/2X30X15	1-1/2X30X15 ALUMINUM ELBOW	2	BLK	245.59
ALUELB2X30X15	2X30X15 ALUMINUM ELBOW	3	BLK	254.48
ALUELB2-1/2X30X15	2-1/2X30X15 ALUMINUM ELBOW	6	BLK	340.39
ALUELB3X30X15	3X30X15 ALUMINUM ELBOW	7	BLK	453.57
ALUELB1X90X18	1X90X18 ALUMINUM ELBOW	2	BLK	169.96
ALUELB1-1/4X90X18	1-1/4X90X18 ALUMINUM ELBOW	3	BLK	201.52
ALUELB1-1/2X90X18	1-1/2X90X18 ALUMINUM ELBOW	4	BLK	245.59
ALUELB2X90X18	2X90X18 ALUMINUM ELBOW	5	BLK	302.76
ALUELB2-1/2X90X18	2-1/2X90X18 ALUMINUM ELBOW	8	BLK	410.51
ALUELB3X90X18	3X90X18 ALUMINUM ELBOW	10	BLK	522.01
ALUELB3-1/2X90X18	3-1/2X90X18 ALUMINUM ELBOW	12	BLK	773.73
ALUELB4X90X18	4X90X18 ALUMINUM ELBOW	14	BLK	862.97
ALUELB1X45X18	1X45X18 ALUMINUM ELBOW	2	BLK	169.96
ALUELB1-1/4X45X18	1-1/4X45X18 ALUMINUM ELBOW	3	BLK	201.52
ALUELB1-1/2X45X18	1-1/2X45X18 ALUMINUM ELBOW	3	BLK	245.59
ALUELB2X45X18	2X45X18 ALUMINUM ELBOW	4	BLK	302.76
ALUELB2-1/2X45X18	2-1/2X45X18 ALUMINUM ELBOW	7	BLK	410.51
ALUELB3X45X18	3X45X18 ALUMINUM ELBOW	9	BLK	522.01
ALUELB3-1/2X45X18	3-1/2X45X18 ALUMINUM ELBOW	10	BLK	773.73
ALUELB4X45X18	4X45X18 ALUMINUM ELBOW	12	BLK	862.97
ALUELB1X60X18	1X60X18 ALUMINUM ELBOW	2	BLK	169.96
ALUELB1-1/4X60X18	1-1/4X60X18 ALUMINUM ELBOW	3	BLK	201.52
ALUELB1-1/2X60X18	1-1/2X60X18 ALUMINUM ELBOW	4	BLK	245.59
ALUELB2X60X18	2X60X18 ALUMINUM ELBOW	5	BLK	302.76
ALUELB2-1/2X60X18	2-1/2X60X18 ALUMINUM ELBOW	7	BLK	410.51
ALUELB3X60X18	3X60X18 ALUMINUM ELBOW	9	BLK	522.01
ALUELB3-1/2X60X18	3-1/2X60X18 ALUMINUM ELBOW	11	BLK	773.73
ALUELB4X60X18	4X60X18 ALUMINUM ELBOW	13	BLK	862.97
ALUELB1X30X18	1X30X18 ALUMINUM ELBOW	2	BLK	169.96
ALUELB1-1/4X30X18	1-1/4X30X18 ALUMINUM ELBOW	2	BLK	201.52
ALUELB1-1/2X30X18	1-1/2X30X18 ALUMINUM ELBOW	3	BLK	245.59
ALUELB2X30X18	2X30X18 ALUMINUM ELBOW	4	BLK	302.76
ALUELB2-1/2X30X18	2-1/2X30X18 ALUMINUM ELBOW	6	BLK	410.51
ALUELB3X30X18	3X30X18 ALUMINUM ELBOW	8	BLK	522.01
ALUELB3-1/2X30X18	3-1/2X30X18 ALUMINUM ELBOW	10	BLK	773.73
ALUELB4X30X18	4X30X18 ALUMINUM ELBOW	11	BLK	862.97

Continued next page

NOTES: Prices are available upon request for special sizes, bends, and lengths. Prices shown are for 90° elbows. Weights shown are approximate for 90° elbows. To arrive at weights for 60° elbows deduct 10%, for 45° elbows deduct 15%, and for 30° elbows deduct 20%.

**All products on this page are made to order. Consult factory for lead times.
All Aluminum elbows are noncancelable and nonreturnable.**



ALUMINUM SPECIAL RADIUS ELBOWS • PRICE GUIDE

ALUMINUM SPECIAL RADIUS ELBOWS

CATALOG NUMBER	DESCRIPTION	APP WEIGHT (lbs)	STANDARD CARTON	LIST PRICE EACH
ALUELB1X90X24	1X90X24 ALUMINUM ELBOW	3	BLK	204.38
ALUELB1-1/4X90X24	1-1/4X90X24 ALUMINUM ELBOW	4	BLK	241.53
ALUELB1-1/2X90X24	1-1/2X90X24 ALUMINUM ELBOW	5	BLK	288.87
ALUELB2X90X24	2X90X24 ALUMINUM ELBOW	6	BLK	373.03
ALUELB2-1/2X90X24	2-1/2X90X24 ALUMINUM ELBOW	9	BLK	496.65
ALUELB3X90X24	3X90X24 ALUMINUM ELBOW	12	BLK	659.05
ALUELB3-1/2X90X24	3-1/2X90X24 ALUMINUM ELBOW	14	BLK	911.81
ALUELB4X90X24	4X90X24 ALUMINUM ELBOW	17	BLK	1019.49
ALUELB1X45X24	1X45X24 ALUMINUM ELBOW	3	BLK	204.38
ALUELB1-1/4X45X24	1-1/4X45X24 ALUMINUM ELBOW	3	BLK	241.53
ALUELB1-1/2X45X24	1-1/2X45X24 ALUMINUM ELBOW	4	BLK	288.87
ALUELB2X45X24	2X45X24 ALUMINUM ELBOW	5	BLK	373.03
ALUELB2-1/2X45X24	2-1/2X45X24 ALUMINUM ELBOW	8	BLK	496.65
ALUELB3X45X24	3X45X24 ALUMINUM ELBOW	10	BLK	659.05
ALUELB3-1/2X45X24	3-1/2X45X24 ALUMINUM ELBOW	12	BLK	911.81
ALUELB4X45X24	4X45X24 ALUMINUM ELBOW	14	BLK	1019.49
ALUELB1X60X24	1X60X24 ALUMINUM ELBOW	3	BLK	204.38
ALUELB1-1/4X60X24	1-1/4X60X24 ALUMINUM ELBOW	4	BLK	241.53
ALUELB1-1/2X60X24	1-1/2X60X24 ALUMINUM ELBOW	5	BLK	288.87
ALUELB2X60X24	2X60X24 ALUMINUM ELBOW	5	BLK	373.03
ALUELB2-1/2X60X24	2-1/2X60X24 ALUMINUM ELBOW	8	BLK	496.65
ALUELB3X60X24	3X60X24 ALUMINUM ELBOW	11	BLK	659.05
ALUELB3-1/2X60X24	3-1/2X60X24 ALUMINUM ELBOW	13	BLK	911.81
ALUELB4X60X24	4X60X24 ALUMINUM ELBOW	15	BLK	1019.49
ALUELB1X30X24	1X30X24 ALUMINUM ELBOW	2	BLK	204.38
ALUELB1-1/4X30X24	1-1/4X30X24 ALUMINUM ELBOW	3	BLK	241.53
ALUELB1-1/2X30X24	1-1/2X30X24 ALUMINUM ELBOW	4	BLK	288.87
ALUELB2X30X24	2X30X24 ALUMINUM ELBOW	5	BLK	373.03
ALUELB2-1/2X30X24	2-1/2X30X24 ALUMINUM ELBOW	7	BLK	496.65
ALUELB3X30X24	3X30X24 ALUMINUM ELBOW	10	BLK	659.05
ALUELB3-1/2X30X24	3-1/2X30X24 ALUMINUM ELBOW	11	BLK	911.81
ALUELB4X30X24	4X30X24 ALUMINUM ELBOW	14	BLK	1019.49
ALUELB1X90X30	1X90X30 ALUMINUM ELBOW	3	BLK	269.11
ALUELB1-1/4X90X30	1-1/4X90X30 ALUMINUM ELBOW	4	BLK	328.71
ALUELB1-1/2X90X30	1-1/2X90X30 ALUMINUM ELBOW	5	BLK	392.76
ALUELB2X90X30	2X90X30 ALUMINUM ELBOW	7	BLK	429.96
ALUELB2-1/2X90X30	2-1/2X90X30 ALUMINUM ELBOW	11	BLK	675.93
ALUELB3X90X30	3X90X30 ALUMINUM ELBOW	14	BLK	765.26
ALUELB3-1/2X90X30	3-1/2X90X30 ALUMINUM ELBOW	17	BLK	1089.88
ALUELB4X90X30	4X90X30 ALUMINUM ELBOW	20	BLK	1174.11
ALUELB5X90X30	5X90X30 ALUMINUM ELBOW	29	BLK	1993.63

Continued next page

NOTES: Prices are available upon request for special sizes, bends, and lengths. Prices shown are for 90° elbows. Weights shown are approximate for 90° elbows. To arrive at weights for 60° elbows deduct 10%, for 45° elbows deduct 15%, and for 30° elbows deduct 20%.

**All products on this page are made to order. Consult factory for lead times.
All Aluminum elbows are noncancelable and nonreturnable.**



ALUMINUM SPECIAL RADIUS ELBOWS • PRICE GUIDE

ALUMINUM SPECIAL RADIUS ELBOWS

CATALOG NUMBER	DESCRIPTION	APP WEIGHT (lbs)	STANDARD CARTON	LIST PRICE EACH
ALUEL1X45X30	1X45X30 ALUMINUM ELBOW	3	BLK	269.11
ALUEL1-1/4X45X30	1-1/4X45X30 ALUMINUM ELBOW	3	BLK	328.71
ALUEL1-1/2X45X30	1-1/2X45X30 ALUMINUM ELBOW	4	BLK	392.76
ALUEL2X45X30	2X45X30 ALUMINUM ELBOW	6	BLK	429.96
ALUEL2-1/2X45X30	2-1/2X45X30 ALUMINUM ELBOW	9	BLK	675.93
ALUEL3X45X30	3X45X30 ALUMINUM ELBOW	12	BLK	765.26
ALUEL3-1/2X45X30	3-1/2X45X30 ALUMINUM ELBOW	14	BLK	1089.88
ALUEL4X45X30	4X45X30 ALUMINUM ELBOW	17	BLK	1174.11
ALUEL5X45X30	5X45X30 ALUMINUM ELBOW	25	BLK	1993.63
ALUEL1X60X30	1X60X30 ALUMINUM ELBOW	3	BLK	269.11
ALUEL1-1/4X60X30	1-1/4X60X30 ALUMINUM ELBOW	4	BLK	328.71
ALUEL1-1/2X60X30	1-1/2X60X30 ALUMINUM ELBOW	5	BLK	392.76
ALUEL2X60X30	2X60X30 ALUMINUM ELBOW	6	BLK	429.96
ALUEL2-1/2X60X30	2-1/2X60X30 ALUMINUM ELBOW	10	BLK	675.93
ALUEL3X60X30	3X60X30 ALUMINUM ELBOW	13	BLK	765.26
ALUEL3-1/2X60X30	3-1/2X60X30 ALUMINUM ELBOW	15	BLK	1089.88
ALUEL4X60X30	4X60X30 ALUMINUM ELBOW	18	BLK	1174.11
ALUEL5X60X30	5X60X30 ALUMINUM ELBOW	26	BLK	1993.63
ALUEL1X30X30	1X30X30 ALUMINUM ELBOW	2	BLK	269.11
ALUEL1-1/4X30X30	1-1/4X30X30 ALUMINUM ELBOW	3	BLK	328.71
ALUEL1-1/2X30X30	1-1/2X30X30 ALUMINUM ELBOW	5	BLK	392.76
ALUEL2X30X30	2X30X30 ALUMINUM ELBOW	6	BLK	429.96
ALUEL2-1/2X30X30	2-1/2X30X30 ALUMINUM ELBOW	10	BLK	675.93
ALUEL3X30X30	3X30X30 ALUMINUM ELBOW	13	BLK	765.26
ALUEL3-1/2X30X30	3-1/2X30X30 ALUMINUM ELBOW	15	BLK	1089.88
ALUEL4X30X30	4X30X30 ALUMINUM ELBOW	16	BLK	1174.11
ALUEL5X30X30	5X30X30 ALUMINUM ELBOW	23	BLK	1993.63
ALUEL1X90X36	1X90X36 ALUMINUM ELBOW	4	BLK	269.11
ALUEL1-1/4X90X36	1-1/4X90X36 ALUMINUM ELBOW	5	BLK	328.71
ALUEL1-1/2X90X36	1-1/2X90X36 ALUMINUM ELBOW	6	BLK	392.76
ALUEL2X90X36	2X90X36 ALUMINUM ELBOW	8	BLK	429.96
ALUEL2-1/2X90X36	2-1/2X90X36 ALUMINUM ELBOW	12	BLK	675.93
ALUEL3X90X36	3X90X36 ALUMINUM ELBOW	16	BLK	765.26
ALUEL3-1/2X90X36	3-1/2X90X36 ALUMINUM ELBOW	19	BLK	1089.88
ALUEL4X90X36	4X90X36 ALUMINUM ELBOW	23	BLK	1174.11
ALUEL5X90X36	5X90X36 ALUMINUM ELBOW	32	BLK	1993.63
ALUEL6X90X36	6X90X36 ALUMINUM ELBOW	42	BLK	2504.71

Continued next page

NOTES: Prices are available upon request for special sizes, bends, and lengths. Prices shown are for 90° elbows. Weights shown are approximate for 90° elbows. To arrive at weights for 60° elbows deduct 10%, for 45° elbows deduct 15%, and for 30° elbows deduct 20%.

**All products on this page are made to order. Consult factory for lead times.
All Aluminum elbows are noncancelable and nonreturnable.**



ALUMINUM SPECIAL RADIUS ELBOWS • PRICE GUIDE

ALUMINUM SPECIAL RADIUS ELBOWS

CATALOG NUMBER	DESCRIPTION	APP WEIGHT (lbs)	STANDARD CARTON	LIST PRICE EACH
ALUELB1X45X36	1X45X36 ALUMINUM ELBOW	3	BLK	269.11
ALUELB1-1/4X45X36	1-1/4X45X36 ALUMINUM ELBOW	4	BLK	328.71
ALUELB1-1/2X45X36	1-1/2X45X36 ALUMINUM ELBOW	5	BLK	392.76
ALUELB2X45X36	2X45X36 ALUMINUM ELBOW	7	BLK	429.96
ALUELB2-1/2X45X36	2-1/2X45X36 ALUMINUM ELBOW	10	BLK	675.93
ALUELB3X45X36	3X45X36 ALUMINUM ELBOW	14	BLK	765.26
ALUELB3-1/2X45X36	3 1/2X45X36 ALUMINUM ELBOW	16	BLK	1089.88
ALUELB4X45X36	4X45X36 ALUMINUM ELBOW	20	BLK	1174.11
ALUELB5X45X36	5X45X36 ALUMINUM ELBOW	27	BLK	1993.63
ALUELB6X45X36	6X45X36 ALUMINUM ELBOW	29	BLK	2504.71
ALUELB1X60X36	1X60X36 ALUMINUM ELBOW	4	BLK	269.11
ALUELB1-1/4X60X36	1-1/4X60X36 ALUMINUM ELBOW	5	BLK	328.71
ALUELB1-1/2X60X36	1-1/2X60X36 ALUMINUM ELBOW	5	BLK	392.76
ALUELB2X60X36	2X60X36 ALUMINUM ELBOW	7	BLK	429.96
ALUELB2-1/2X60X36	2-1/2X60X36 ALUMINUM ELBOW	11	BLK	675.93
ALUELB3X60X36	3X60X36 ALUMINUM ELBOW	14	BLK	765.26
ALUELB3-1/2X60X36	3-1/2X60X36 ALUMINUM ELBOW	17	BLK	1089.88
ALUELB4X60X36	4X60X36 ALUMINUM ELBOW	18	BLK	1174.11
ALUELB5X60X36	5X60X36 ALUMINUM ELBOW	29	BLK	1993.63
ALUELB6X60X36	6X60X36 ALUMINUM ELBOW	39	BLK	2504.71
ALUELB1X30X36	1X30X36 ALUMINUM ELBOW	3	BLK	269.11
ALUELB1-1/4X30X36	1-1/4X30X36 ALUMINUM ELBOW	4	BLK	328.71
ALUELB1-1/2X30X36	1-1/2X30X36 ALUMINUM ELBOW	5	BLK	392.76
ALUELB2X30X36	2X30X36 ALUMINUM ELBOW	6	BLK	429.96
ALUELB2-1/2X30X36	2-1/2X30X36 ALUMINUM ELBOW	10	BLK	675.93
ALUELB3X30X36	3X30X36 ALUMINUM ELBOW	13	BLK	765.26
ALUELB3-1/2X30X36	3-1/2X30X36 ALUMINUM ELBOW	15	BLK	1089.88
ALUELB4X30X36	4X30X36 ALUMINUM ELBOW	18	BLK	1174.11
ALUELB5X30X36	5X30X36 ALUMINUM ELBOW	26	BLK	1993.63
ALUELB6X30X36	6X30X36 ALUMINUM ELBOW	34	BLK	2504.71
ALUELB1X90X42	1X90X42 ALUMINUM ELBOW	4	BLK	339.23
ALUELB1-1/4X90X42	1-1/4X90X42 ALUMINUM ELBOW	6	BLK	407.08
ALUELB1-1/2X90X42	1-1/2X90X42 ALUMINUM ELBOW	7	BLK	488.49
ALUELB2X90X42	2X90X42 ALUMINUM ELBOW	9	BLK	556.32
ALUELB2-1/2X90X42	2-1/2X90X42 ALUMINUM ELBOW	14	BLK	667.58
ALUELB3X90X42	3X90X42 ALUMINUM ELBOW	19	BLK	986.59
ALUELB3-1/2X90X42	3-1/2X90X42 ALUMINUM ELBOW	22	BLK	1365.73
ALUELB4X90X42	4X90X42 ALUMINUM ELBOW	26	BLK	1674.25
ALUELB5X90X42	5X90X42 ALUMINUM ELBOW	37	BLK	2603.55
ALUELB6X90X42	6X90X42 ALUMINUM ELBOW	49	BLK	2778.07

Continued next page

NOTES: Prices are available upon request for special sizes, bends, and lengths. Prices shown are for 90° elbows. Weights shown are approximate for 90° elbows. To arrive at weights for 60° elbows deduct 10%, for 45° elbows deduct 15%, and for 30° elbows deduct 20%.

**All products on this page are made to order. Consult factory for lead times.
All Aluminum elbows are noncancelable and nonreturnable.**



ALUMINUM SPECIAL RADIUS ELBOWS • PRICE GUIDE

ALUMINUM SPECIAL RADIUS ELBOWS

CATALOG NUMBER	DESCRIPTION	APP WEIGHT (lbs)	STANDARD CARTON	LIST PRICE EACH
ALUEL1X45X42	1X45X42 ALUMINUM ELBOW	3	BLK	339.23
ALUEL1-1/4X45X42	1-1/4X45X42 ALUMINUM ELBOW	5	BLK	407.08
ALUEL1-1/2X45X42	1-1/2X45X42 ALUMINUM ELBOW	6	BLK	488.49
ALUEL2X45X42	2X45X42 ALUMINUM ELBOW	8	BLK	556.32
ALUEL2-1/2X45X42	2-1/2X45X42 ALUMINUM ELBOW	12	BLK	667.58
ALUEL3X45X42	3X45X42 ALUMINUM ELBOW	16	BLK	986.59
ALUEL3-1/2X45X42	3-1/2X45X42 ALUMINUM ELBOW	19	BLK	1365.73
ALUEL4X45X42	4X45X42 ALUMINUM ELBOW	22	BLK	1674.25
ALUEL5X45X42	5X45X42 ALUMINUM ELBOW	31	BLK	2603.55
ALUEL6X45X42	6X45X42 ALUMINUM ELBOW	42	BLK	2778.07
ALUEL1X60X42	1X60X42 ALUMINUM ELBOW	4	BLK	339.23
ALUEL1-1/4X60X42	1-1/4X60X42 ALUMINUM ELBOW	5	BLK	407.08
ALUEL1-1/2X60X42	1-1/2X60X42 ALUMINUM ELBOW	4	BLK	488.49
ALUEL2X60X42	2X60X42 ALUMINUM ELBOW	8	BLK	556.32
ALUEL2-1/2X60X42	2-1/2X60X42 ALUMINUM ELBOW	13	BLK	667.58
ALUEL3X60X42	3X60X42 ALUMINUM ELBOW	17	BLK	986.59
ALUEL3-1/2X60X42	3-1/2X60X42 ALUMINUM ELBOW	20	BLK	1365.73
ALUEL4X60X42	4X60X42 ALUMINUM ELBOW	23	BLK	1674.25
ALUEL5X60X42	5X60X42 ALUMINUM ELBOW	33	BLK	2603.55
ALUEL6X60X42	6X60X42 ALUMINUM ELBOW	44	BLK	2778.07
ALUEL1X30X42	1X30X42 ALUMINUM ELBOW	3	BLK	339.23
ALUEL1-1/4X30X42	1-1/4X30X42 ALUMINUM ELBOW	5	BLK	407.08
ALUEL1-1/2X30X42	1-1/2X30X42 ALUMINUM ELBOW	6	BLK	488.49
ALUEL2X30X42	2X30X42 ALUMINUM ELBOW	7	BLK	556.32
ALUEL2-1/2X30X42	2-1/2X30X42 ALUMINUM ELBOW	11	BLK	667.58
ALUEL3X30X42	3X30X42 ALUMINUM ELBOW	15	BLK	986.59
ALUEL3-1/2X30X42	3-1/2X30X42 ALUMINUM ELBOW	18	BLK	1365.73
ALUEL4X30X42	4X30X42 ALUMINUM ELBOW	21	BLK	1674.25
ALUEL5X30X42	5X30X42 ALUMINUM ELBOW	30	BLK	2603.55
ALUEL6X30X42	6X30X42 ALUMINUM ELBOW	39	BLK	2778.07
ALUEL1X90X48	1X90X48 ALUMINUM ELBOW	5	BLK	338.58
ALUEL1-1/4X90X48	1-1/4X90X48 ALUMINUM ELBOW	6	BLK	410.51
ALUEL1-1/2X90X48	1-1/2X90X48 ALUMINUM ELBOW	8	BLK	495.54
ALUEL2X90X48	2X90X48 ALUMINUM ELBOW	10	BLK	631.51
ALUEL2-1/2X90X48	2-1/2X90X48 ALUMINUM ELBOW	16	BLK	850.08
ALUEL3X90X48	3X90X48 ALUMINUM ELBOW	21	BLK	1125.33
ALUEL3-1/2X90X48	3-1/2X90X48 ALUMINUM ELBOW	25	BLK	1543.17
ALUEL4X90X48	4X90X48 ALUMINUM ELBOW	29	BLK	1896.79
ALUEL5X90X48	5X90X48 ALUMINUM ELBOW	42	BLK	2944.50
ALUEL6X90X48	6X90X48 ALUMINUM ELBOW	54	BLK	3159.86

Continued next page

NOTES: Prices are available upon request for special sizes, bends, and lengths. Prices shown are for 90° elbows. Weights shown are approximate for 90° elbows. To arrive at weights for 60° elbows deduct 10%, for 45° elbows deduct 15%, and for 30° elbows deduct 20%.

**All products on this page are made to order. Consult factory for lead times.
All Aluminum elbows are noncancelable and nonreturnable.**



ALUMINUM SPECIAL RADIUS ELBOWS • PRICE GUIDE

ALUMINUM SPECIAL RADIUS ELBOWS

CATALOG NUMBER	DESCRIPTION	APP WEIGHT (lbs)	STANDARD CARTON	LIST PRICE EACH
ALUELB1X45X48	1X45X48 ALUMINUM ELBOW	4	BLK	338.58
ALUELB1-1/4X45X48	1-1/4X45X48 ALUMINUM ELBOW	5	BLK	410.51
ALUELB1-1/2X45X48	1-1/2X45X48 ALUMINUM ELBOW	7	BLK	495.54
ALUELB2X45X48	2X45X48 ALUMINUM ELBOW	9	BLK	631.51
ALUELB2-1/2X45X48	2-1/2X45X48 ALUMINUM ELBOW	14	BLK	850.08
ALUELB3X45X48	3X45X48 ALUMINUM ELBOW	18	BLK	1125.33
ALUELB3-1/2X45X48	3-1/2X45X48 ALUMINUM ELBOW	21	BLK	1543.17
ALUELB4X45X48	4X45X48 ALUMINUM ELBOW	25	BLK	1896.79
ALUELB5X45X48	5X45X48 ALUMINUM ELBOW	36	BLK	2944.50
ALUELB6X45X48	6X45X48 ALUMINUM ELBOW	46	BLK	3159.86
ALUELB1X60X48	1X60X48 ALUMINUM ELBOW	5	BLK	338.58
ALUELB1-1/4X60X48	1-1/4X60X48 ALUMINUM ELBOW	5	BLK	410.51
ALUELB1-1/2X60X48	1-1/2X60X48 ALUMINUM ELBOW	7	BLK	495.54
ALUELB2X60X48	2X60X48 ALUMINUM ELBOW	9	BLK	631.51
ALUELB2-1/2X60X48	2-1/2X60X48 ALUMINUM ELBOW	14	BLK	850.08
ALUELB3X60X48	3X60X48 ALUMINUM ELBOW	19	BLK	1125.33
ALUELB3-1/2X60X48	3-1/2X60X48 ALUMINUM ELBOW	22	BLK	1543.17
ALUELB4X60X48	4X60X48 ALUMINUM ELBOW	26	BLK	1896.79
ALUELB5X60X48	5X60X48 ALUMINUM ELBOW	38	BLK	2944.50
ALUELB6X60X48	6X60X48 ALUMINUM ELBOW	49	BLK	3159.86
ALUELB1X30X48	1X30X48 ALUMINUM ELBOW	4	BLK	338.58
ALUELB1-1/4X30X48	1-1/4X30X48 ALUMINUM ELBOW	5	BLK	410.51
ALUELB1-1/2X30X48	1-1/2X30X48 ALUMINUM ELBOW	6	BLK	495.54
ALUELB2X30X48	2X30X48 ALUMINUM ELBOW	8	BLK	631.51
ALUELB2-1/2X30X48	2-1/2X30X48 ALUMINUM ELBOW	13	BLK	850.08
ALUELB3X30X48	3X30X48 ALUMINUM ELBOW	17	BLK	1125.33
ALUELB3-1/2X30X48	3-1/2X30X48 ALUMINUM ELBOW	20	BLK	1543.17
ALUELB4X30X48	4X30X48 ALUMINUM ELBOW	23	BLK	1896.79
ALUELB5X30X48	5X30X48 ALUMINUM ELBOW	34	BLK	2944.50
ALUELB6X30X48	6X30X48 ALUMINUM ELBOW	43	BLK	3159.86

NOTES: Prices are available upon request for special sizes, bends, and lengths. Prices shown are for 90° elbows. Weights shown are approximate for 90° elbows. To arrive at weights for 60° elbows deduct 10%, for 45° elbows deduct 15%, and for 30° elbows deduct 20%.

**All products on this page are made to order. Consult factory for lead times.
All Aluminum elbows are noncancelable and nonreturnable.**



ALUMINUM CONDUIT NIPPLES • PRICE GUIDE

ALUMINUM CONDUIT NIPPLES

CATALOG NUMBER	DESCRIPTION	WEIGHT PER 100 PIECES (lbs)	STANDARD CARTON	LIST PRICE PER 100 PIECES
ALUNIP1/2XCL	1/2 X 1-1/8 (CL) ALUMINUM NIPPLE	2	25	601.73
ALUNIP3/4XCL	3/4 X 1-3/8 (CL) ALUMINUM NIPPLE	3	25	808.84
ALUNIP1XCL	1 X 1-1/2 (CL) ALUMINUM NIPPLE	4	25	992.06
ALUNIP1-1/4XCL	1-1/4 X 1-5/8 (CL) ALUMINUM NIPPLE	7	25	1,328.77
ALUNIP1-1/2XCL	1-1/2 X 1-3/4 (CL) ALUMINUM NIPPLE	10	25	1,652.58
ALUNIP2XCL	2 X 2 (CL) ALUMINUM NIPPLE	16	25	2,123.19
ALUNIP2-1/2XCL	2-1/2 X 2-1/2 (CL) ALUMINUM NIPPLE	22	12	4,491.33
ALUNIP3XCL	3 X 2-5/8 (CL) ALUMINUM NIPPLE	24	12	4,663.53
ALUNIP3-1/2XCL	3-1/2 X 2-3/4 (CL) ALUMINUM NIPPLE	42	12	5,956.23
ALUNIP4XCL	4 X 2-7/8 (CL) ALUMINUM NIPPLE	51	12	7,439.17
ALUNIP5XCL	5 X 3 (CL) ALUMINUM NIPPLE	71	BLK	17,380.49
ALUNIP6XCL	6 X 3-1/8 (CL) ALUMINUM NIPPLE	105	BLK	20,974.60
ALUNIP1/2X1-1/2	1/2 X 1-1/2 ALUMINUM NIPPLE	3	25	618.42
ALUNIP3/4X1-1/2	3/4 X 1-1/2 ALUMINUM NIPPLE	3	25	844.81
ALUNIP1/2X2	1/2 X 2 ALUMINUM NIPPLE	4	25	666.49
ALUNIP3/4X2	3/4 X 2 ALUMINUM NIPPLE	5	25	878.44
ALUNIP1X2	1 X 2 ALUMINUM NIPPLE	7	25	1,098.87
ALUNIP1-1/4X2	1-1/4 X 2 ALUMINUM NIPPLE	10	25	1,359.52
ALUNIP1-1/2X2	1-1/2 X 2 ALUMINUM NIPPLE	12	25	1,703.91
ALUNIP1/2X2-1/2	1/2 X 2-1/2 ALUMINUM NIPPLE	5	25	790.87
ALUNIP3/4X2-1/2	3/4 X 2-1/2 ALUMINUM NIPPLE	7	25	931.21
ALUNIP1X2-1/2	1 X 2-1/2 ALUMINUM NIPPLE	8	25	1,201.07
ALUNIP1-1/4X2-1/2	1-1/4 X 2-1/2 ALUMINUM NIPPLE	13	25	1,493.29
ALUNIP1-1/2X2-1/2	1-1/2 X 2-1/2 ALUMINUM NIPPLE	16	25	1,811.71
ALUNIP2X2-1/2	2 X 2-1/2 ALUMINUM NIPPLE	22	25	2,275.30
ALUNIP1/2X3	1/2 X 3 ALUMINUM NIPPLE	7	25	831.67
ALUNIP3/4X3	3/4 X 3 ALUMINUM NIPPLE	8	25	1,008.05
ALUNIP1X3	1 X 3 ALUMINUM NIPPLE	12	25	1,293.44
ALUNIP1-1/4X3	1-1/4 X 3 ALUMINUM NIPPLE	16	25	1,691.98
ALUNIP1-1/2X3	1-1/2 X 3 ALUMINUM NIPPLE	20	25	2,059.05
ALUNIP2X3	2 X 3 ALUMINUM NIPPLE	27	25	2,545.18
ALUNIP2-1/2X3	2-1/2 X 3 ALUMINUM NIPPLE	30	12	4,612.69
ALUNIP3X3	3 X 3 ALUMINUM NIPPLE	42	12	5,238.86
ALUNIP1/2X3-1/2	1/2 X 3-1/2 ALUMINUM NIPPLE	8	25	902.04
ALUNIP3/4X3-1/2	3/4 X 3-1/2 ALUMINUM NIPPLE	10	25	1,046.28
ALUNIP1X3-1/2	1 X 3-1/2 ALUMINUM NIPPLE	14	25	1,469.49
ALUNIP1-1/4X3-1/2	1-1/4 X 3-1/2 ALUMINUM NIPPLE	20	25	1,926.09
ALUNIP1-1/2X3-1/2	1-1/2 X 3-1/2 ALUMINUM NIPPLE	24	25	2,584.87
ALUNIP2X3-1/2	2 X 3-1/2 ALUMINUM NIPPLE	32	25	2,935.87
ALUNIP2-1/2X3-1/2	2-1/2 X 3-1/2 ALUMINUM NIPPLE	39	12	5,119.44
ALUNIP3X3-1/2	3 X 3-1/2 ALUMINUM NIPPLE	53	12	6,244.25

Continued next page

NOTES: For list prices on lengths up to 12" take next longer length listed.
 For broken carton nipple quantities add 20% to list price.
 For special length nipples longer than 12", contact factory for pricing.
 Nipples packed in carton quantities as shown and should be ordered accordingly.
 Bulk sizes are stocked and shipped in any quantities ordered.



ALUMINUM CONDUIT NIPPLES • PRICE GUIDE

ALUMINUM CONDUIT NIPPLES

CATALOG NUMBER	DESCRIPTION	WEIGHT PER 100 PIECES (lbs)	STANDARD CARTON	LIST PRICE PER 100 PIECES
ALUNIP1/2X4	1/2 X 4 ALUMINUM NIPPLE	9	25	966.09
ALUNIP3/4X4	3/4 X 4 ALUMINUM NIPPLE	12	25	1,104.27
ALUNIP1X4	1 X 4 ALUMINUM NIPPLE	16	25	1,597.39
ALUNIP1-1/4X4	1-1/4 X 4 ALUMINUM NIPPLE	23	25	2,114.82
ALUNIP1-1/2X4	1-1/2 X 4 ALUMINUM NIPPLE	28	25	2,597.86
ALUNIP2X4	2 X 4 ALUMINUM NIPPLE	38	25	3,127.80
ALUNIP2-1/2X4	2-1/2 X 4 ALUMINUM NIPPLE	47	12	5,424.32
ALUNIP3X4	3 X 4 ALUMINUM NIPPLE	64	12	6,512.91
ALUNIP3-1/2X4	3-1/2 X 4 ALUMINUM NIPPLE	75	12	8,000.14
ALUNIP4X4	4 X 4 ALUMINUM NIPPLE	87	12	9,325.25
ALUNIP1/2X5	1/2 X 5 ALUMINUM NIPPLE	12	25	1,107.18
ALUNIP3/4X5	3/4 X 5 ALUMINUM NIPPLE	15	25	1,320.88
ALUNIP1X5	1 X 5 ALUMINUM NIPPLE	21	25	1,888.14
ALUNIP1-1/4X5	1-1/4 X 5 ALUMINUM NIPPLE	29	25	2,489.99
ALUNIP1-1/2X5	1-1/2 X 5 ALUMINUM NIPPLE	36	25	2,980.23
ALUNIP2X5	2 X 5 ALUMINUM NIPPLE	48	25	3,738.21
ALUNIP2-1/2X5	2-1/2 X 5 ALUMINUM NIPPLE	64	12	6,119.31
ALUNIP3X5	3 X 5 ALUMINUM NIPPLE	86	12	7,440.60
ALUNIP3-1/2X5	3-1/2 X 5 ALUMINUM NIPPLE	101	12	9,039.75
ALUNIP4X5	4 X 5 ALUMINUM NIPPLE	118	12	10,704.26
ALUNIP5X5	5 X 5 ALUMINUM NIPPLE	155	BLK	20,365.22
ALUNIP6X5	6 X 5 ALUMINUM NIPPLE	208	BLK	26,535.02
ALUNIP1/2X6	1/2 X 6 ALUMINUM NIPPLE	14	25	1,168.32
ALUNIP3/4X6	3/4 X 6 ALUMINUM NIPPLE	18	25	1,499.26
ALUNIP1X6	1 X 6 ALUMINUM NIPPLE	26	25	2,229.52
ALUNIP1-1/4X6	1-1/4 X 6 ALUMINUM NIPPLE	36	25	2,886.09
ALUNIP1-1/2X6	1-1/2 X 6 ALUMINUM NIPPLE	44	25	3,439.07
ALUNIP2X6	2 X 6 ALUMINUM NIPPLE	58	25	4,313.11
ALUNIP2-1/2X6	2-1/2 X 6 ALUMINUM NIPPLE	80	10	6,716.20
ALUNIP3X6	3 X 6 ALUMINUM NIPPLE	108	10	8,538.41
ALUNIP3-1/2X6	3-1/2 X 6 ALUMINUM NIPPLE	128	5	10,424.44
ALUNIP4X6	4 X 6 ALUMINUM NIPPLE	149	5	12,410.29
ALUNIP5X6	5 X 6 ALUMINUM NIPPLE	197	BLK	21,362.47
ALUNIP6X6	6 X 6 ALUMINUM NIPPLE	263	BLK	28,569.69

Continued next page

NOTES: For list prices on lengths up to 12" take next longer length listed.
 For broken carton nipple quantities add 20% to list price.
 For special length nipples longer than 12", contact factory for pricing.
 Nipples packed in carton quantities as shown and should be ordered accordingly.
 Bulk sizes are stocked and shipped in any quantities ordered.



ALUMINUM CONDUIT NIPPLES • PRICE GUIDE

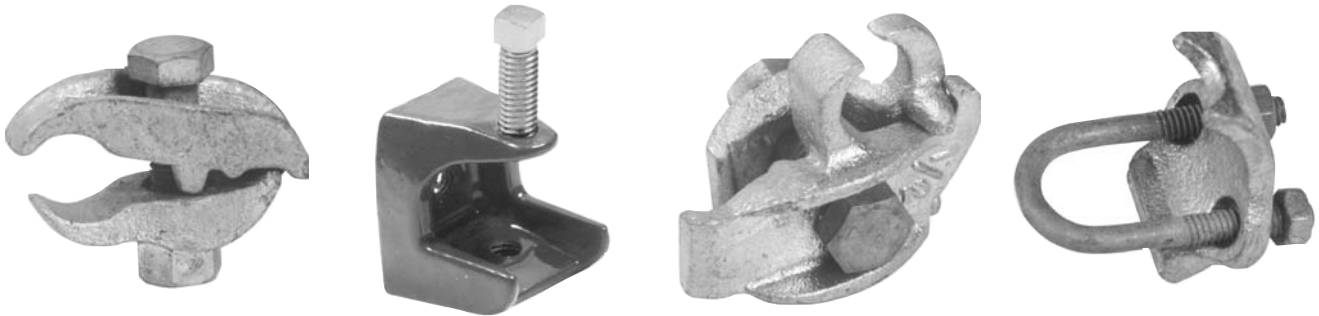
ALUMINUM CONDUIT NIPPLES

CATALOG NUMBER	DESCRIPTION	WEIGHT PER 100 PIECES (lbs)	STANDARD CARTON	LIST PRICE PER 100 PIECES
ALUNIP1/2X8	1/2 X 8 ALUMINUM NIPPLE	19	25	1,563.95
ALUNIP3/4X8	3/4 X 8 ALUMINUM NIPPLE	25	25	1,973.74
ALUNIP1X8	1 X 8 ALUMINUM NIPPLE	36	25	2,768.43
ALUNIP1-1/4X8	1-1/4 X 8 ALUMINUM NIPPLE	49	10	3,675.59
ALUNIP1-1/2X8	1-1/2 X 8 ALUMINUM NIPPLE	59	10	4,424.58
ALUNIP2X8	2 X 8 ALUMINUM NIPPLE	78	10	5,510.44
ALUNIP2-1/2X8	2-1/2 X 8 ALUMINUM NIPPLE	114	5	8,494.24
ALUNIP3X8	3 X 8 ALUMINUM NIPPLE	152	5	10,868.48
ALUNIP3-1/2X8	3-1/2 X 8 ALUMINUM NIPPLE	180	5	12,977.75
ALUNIP4X8	4 X 8 ALUMINUM NIPPLE	212	3	15,760.29
ALUNIP5X8	5 X 8 ALUMINUM NIPPLE	281	BLK	27,232.76
ALUNIP6X8	6 X 8 ALUMINUM NIPPLE	372	BLK	36,423.55
ALUNIP1/2X10	1/2 X 10 ALUMINUM NIPPLE	24	25	1,902.71
ALUNIP3/4X10	3/4 X 10 ALUMINUM NIPPLE	31	25	2,310.25
ALUNIP1X10	1 X 10 ALUMINUM NIPPLE	45	25	3,482.22
ALUNIP1-1/4X10	1-1/4 X 10 ALUMINUM NIPPLE	62	10	4,480.96
ALUNIP1-1/2X10	1-1/2 X 10 ALUMINUM NIPPLE	74	10	5,394.76
ALUNIP2X10	2 X 10 ALUMINUM NIPPLE	100	10	6,712.06
ALUNIP2-1/2X10	2-1/2 X 10 ALUMINUM NIPPLE	148	5	10,279.81
ALUNIP3X10	3 X 10 ALUMINUM NIPPLE	196	5	13,237.59
ALUNIP3-1/2X10	3-1/2 X 10 ALUMINUM NIPPLE	234	4	16,035.95
ALUNIP4X10	4 X 10 ALUMINUM NIPPLE	274	4	19,145.48
ALUNIP5X10	5 X 10 ALUMINUM NIPPLE	366	BLK	32,704.17
ALUNIP6X10	6 X 10 ALUMINUM NIPPLE	481	BLK	43,735.20
ALUNIP1/2X12	1/2X12 ALUMINUM NIPPLE	29	25	2,198.31
ALUNIP3/4X12	3/4X12 ALUMINUM NIPPLE	38	25	2,835.48
ALUNIP1X12	1X12 ALUMINUM NIPPLE	55	25	4,122.60
ALUNIP1-1/4X12	1 1/4X12 ALUMINUM NIPPLE	75	10	5,255.17
ALUNIP1-1/2X12	1 1/2X12 ALUMINUM NIPPLE	90	10	6,319.47
ALUNIP2X12	2X12 ALUMINUM NIPPLE	120	10	7,928.45
ALUNIP2-1/2X12	2 1/2X12 ALUMINUM NIPPLE	180	5	11,945.71
ALUNIP3X12	3X12 ALUMINUM NIPPLE	240	5	15,535.22
ALUNIP3-1/2X12	3 1/2X12 ALUMINUM NIPPLE	286	4	18,724.06
ALUNIP4X12	4X12 ALUMINUM NIPPLE	336	4	22,451.54
ALUNIP5X12	5X12 ALUMINUM NIPPLE	450	BLK	37,597.83
ALUNIP6X12	6X12 ALUMINUM NIPPLE	591	BLK	48,188.74

NOTES: For list prices on lengths up to 12" take next longer length listed.
 For broken carton nipple quantities add 20% to list price.
 For special length nipples longer than 12", contact factory for pricing.
 Nipples packed in carton quantities as shown and should be ordered accordingly.
 Bulk sizes are stocked and shipped in any quantities ordered.

ORIGINAL KORNS CLAMPS

**FOR CONDUIT, STRUT, AND
CABLE TRAY SUPPORT SYSTEMS**



ECN  **KORNS**
ROBROY INDUSTRIES

3159 Wilkes Power Plant Rd.
Avinger, Texas 75630
Telephone: 903/562-1342
Fax: 903/562-1711

HOT DIP GALVANIZED CLAMPS AND CONDUIT SUPPORT • PRICE GUIDE

THE ORIGINAL KORNS CLAMP

Malleable iron—

Hot dip galvanized—standard. Also available with various grades of stainless steel hardware. Contact Korn's representative or factory for pricing.



RIGHT ANGLE CONDUIT SUPPORTS

CATALOG NUMBER	DESCRIPTION	WEIGHT PER 100 PIECES (lbs)	STANDARD CARTON	LIST PRICE PER 100 PIECES
KNRA-3/8	3/8 RIGHT ANGLE CLAMP	25	50	193.10
KNRA-1/2	1/2 RIGHT ANGLE CLAMP	40	50	186.86
KNRA-3/4	3/4 RIGHT ANGLE CLAMP	43	50	195.27
KNRA-1	1 RIGHT ANGLE CLAMP	48	25	215.43
KNRA-1-1/4	1-1/4 RIGHT ANGLE CLAMP	53	25	241.91
KNRA-1-1/2	1-1/2 RIGHT ANGLE CLAMP	58	25	270.57
KNRA-2	2 RIGHT ANGLE CLAMP	85	25	393.75
KNRA-2-1/2	2-1/2 RIGHT ANGLE CLAMP	106	20	486.69
KNRA-3	3 RIGHT ANGLE CLAMP	110	15	529.16
KNRA-3-1/2	3-1/2 RIGHT ANGLE CLAMP	128	15	681.99
KNRA-4	4 RIGHT ANGLE CLAMP	140	10	741.40
KNRA-5	5 RIGHT ANGLE CLAMP	330	5	1559.55
KNRA-6	6 RIGHT ANGLE CLAMP	375	5	2335.70



PARALLEL CONDUIT SUPPORTS

CATALOG NUMBER	DESCRIPTION	WEIGHT PER 100 PIECES (lbs)	STANDARD CARTON	LIST PRICE PER 100 PIECES
KNPAR-3/8	3/8 PARALLEL CLAMP	32	50	246.10
KNPAR-1/2	1/2 PARALLEL CLAMP	58	40	268.83
KNPAR-3/4	3/4 PARALLEL CLAMP	64	30	294.08
KNPAR-1	1 PARALLEL CLAMP	70	30	331.86
KNPAR-1-1/4	1-1/4 PARALLEL CLAMP	72	25	400.42
KNPAR-1-1/2	1-1/2 PARALLEL CLAMP	93	20	451.14
KNPAR-2	2 PARALLEL CLAMP	100	20	588.58
KNPAR-2-1/2	2-1/2 PARALLEL CLAMP	135	15	724.29
KNPAR-3	3 PARALLEL CLAMP	155	10	890.33
KNPAR-3-1/2	3-1/2 PARALLEL CLAMP	190	10	1022.42
KNPAR-4	4 PARALLEL CLAMP	205	10	1136.22



EDGE TYPE CONDUIT SUPPORTS

CATALOG NUMBER	DESCRIPTION	WEIGHT PER 100 PIECES (lbs)	STANDARD CARTON	LIST PRICE PER 100 PIECES
KNET-1/2	1/2 EDGE CLAMP	67	30	368.97
KNET-3/4	3/4 EDGE CLAMP	71	30	392.10
KNET-1	1 EDGE CLAMP	85	20	452.82
KNET-1-1/4	1-1/4 EDGE CLAMP	91	20	538.77
KNET-1-1/2	1-1/2 EDGE CLAMP	115	20	599.62
KNET-2	2 EDGE CLAMP	135	15	730.41
KNET-2-1/2	2 1/2 EDGE CLAMP	183	10	928.48
KNET-3	3 EDGE CLAMP	230	5	1110.71

STAINLESS STEEL CLAMPS AND CONDUIT SUPPORT • PRICE GUIDE

THE ORIGINAL KORNS CLAMPS WITH STAINLESS STEEL HARDWARE

Malleable iron—

Hot dip galvanized with 316 stainless steel hardware.



RIGHT ANGLE CONDUIT SUPPORTS – STAINLESS STEEL

CATALOG NUMBER	DESCRIPTION	WEIGHT PER 100 PIECES (lbs)	STANDARD CARTON	LIST PRICE PER 100 PIECES
KNRA-1/2-GS	1/2 STAINLESS STEEL RIGHT ANGLE CLAMP	40	50	664.86
KNRA-3/4-GS	3/4 STAINLESS STEEL RIGHT ANGLE CLAMP	43	50	682.56
KNRA-1-GS	1 STAINLESS STEEL RIGHT ANGLE CLAMP	48	25	709.10
KNRA-1-1/4-GS	1-1/4 STAINLESS STEEL RIGHT ANGLE CLAMP	53	25	748.90
KNRA-1-1/2-GS	1-1/2 STAINLESS STEEL RIGHT ANGLE CLAMP	58	25	756.27
KNRA-2-GS	2 STAINLESS STEEL RIGHT ANGLE CLAMP	85	25	1136.62
KNRA-2-1/2-GS	2-1/2 STAINLESS STEEL RIGHT ANGLE CLAMP	106	20	1291.40
KNRA-3-GS	3 STAINLESS STEEL RIGHT ANGLE CLAMP	110	15	1388.69
KNRA-3-1/2-GS	3-1/2 STAINLESS STEEL RIGHT ANGLE CLAMP	128	15	1570.04
KNRA-4-GS	4 STAINLESS STEEL RIGHT ANGLE CLAMP	140	10	1696.80
KNRA-5-GS	5 STAINLESS STEEL RIGHT ANGLE CLAMP	330	5	4516.96
KNRA-6-GS	6 STAINLESS STEEL RIGHT ANGLE CLAMP	375	5	5573.96



PARALLEL CONDUIT SUPPORTS – STAINLESS STEEL

CATALOG NUMBER	DESCRIPTION	WEIGHT PER 100 PIECES (lbs)	STANDARD CARTON	LIST PRICE PER 100 PIECES
KNPAR-1/2-GS	1/2 STAINLESS STEEL PARALLEL CLAMP	58	40	648.65
KNPAR-3/4-GS	3/4 STAINLESS STEEL PARALLEL CLAMP	64	30	654.56
KNPAR-1-GS	1 STAINLESS STEEL PARALLEL CLAMP	70	30	685.50
KNPAR-1-1/4-GS	1-1/4 STAINLESS STEEL PARALLEL CLAMP	72	25	891.89
KNPAR-1-1/2-GS	1-1/2 STAINLESS STEEL PARALLEL CLAMP	93	20	937.60
KNPAR-2-GS	2 STAINLESS STEEL PARALLEL CLAMP	100	20	1096.80
KNPAR-2-1/2-GS	2-1/2 STAINLESS STEEL PARALLEL CLAMP	135	15	1220.64
KNPAR-3-GS	3 STAINLESS STEEL PARALLEL CLAMP	155	5	1462.41
KNPAR-3-1/2-GS	3-1/2 STAINLESS STEEL PARALLEL CLAMP	190	10	2146.44
KNPAR-4-GS	4 STAINLESS STEEL PARALLEL CLAMP	205	10	2270.27



EDGE TYPE CONDUIT SUPPORTS – STAINLESS STEEL

CATALOG NUMBER	DESCRIPTION	WEIGHT PER 100 PIECES (lbs)	STANDARD CARTON	LIST PRICE PER 100 PIECES
KNET-1/2-GS	1/2 STAINLESS STEEL EDGE CLAMP	67	30	866.84
KNET-3/4-GS	3/4 STAINLESS STEEL EDGE CLAMP	71	30	878.62
KNET-1-GS	1 STAINLESS STEEL EDGE CLAMP	85	20	902.21
KNET-1-1/4-GS	1-1/4 STAINLESS STEEL EDGE CLAMP	91	20	1250.13
KNET-1-1/2-GS	1-1/2 STAINLESS STEEL EDGE CLAMP	115	20	1266.35
KNET-2-GS	2 STAINLESS STEEL EDGE CLAMP	135	15	1350.38
KNET-2-1/2-GS	2-1/2 STAINLESS STEEL EDGE CLAMP	183	25	1415.24
KNET-3-GS	3 STAINLESS STEEL EDGE CLAMP	230	5	1654.06

U-BOLTS • PRICE GUIDE

HOT DIP GALVANIZED U-BOLTS



One nut each leg—
Hot dip galvanized— standard.

CATALOG NUMBER	DESCRIPTION	WEIGHT PER 100 PIECES (lbs)	STANDARD CARTON	LIST PRICE PER 100 PIECES
KNUB-3/8	3/8 UBOLT	6	100	51.63
KNUB-1/2	1/2 UBOLT	13	100	62.21
KNUB-3/4	3/4 UBOLT	14	100	76.40
KNUB-1	1 UBOLT	15	100	84.93
KNUB-1-1/4	1 1/4 UBOLT	16	100	97.14
KNUB-1-1/2	1 1/2 UBOLT	18	100	101.69
KNUB-2	2 UBOLT	30	100	155.16
KNUB-2-1/2	2 1/2 UBOLT	34	100	174.83
KNUB-3	3 UBOLT	38	50	187.76
KNUB-3-1/2	3 1/2 UBOLT	40	25	207.84
KNUB-4	4 UBOLT	45	25	255.00
KNUB-5	5 UBOLT	95	25	532.59
KNUB-6	6 UBOLT	108	25	719.67

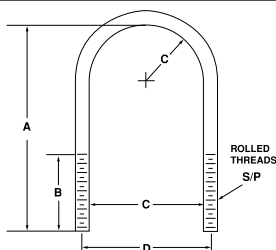
STAINLESS STEEL U-BOLTS



One stainless steel nut each leg

CATALOG NUMBER	DESCRIPTION	WEIGHT PER 100 PIECES (lbs)	STANDARD CARTON	LIST PRICE PER 100 PIECES
KNUB-3/8-SS	3/8 STAINLESS STEEL UBOLT	6	100	365.61
KNUB-1/2-SS	1/2 STAINLESS STEEL UBOLT	13	100	468.80
KNUB-3/4-SS	3/4 STAINLESS STEEL UBOLT	14	100	480.59
KNUB-1-SS	1 STAINLESS STEEL UBOLT	15	100	489.44
KNUB-1-1/4-SS	1 1/4 STAINLESS STEEL UBOLT	16	100	495.34
KNUB-1-1/2-SS	1 1/2 STAINLESS STEEL UBOLT	18	100	501.23
KNUB-2-SS	2 STAINLESS STEEL UBOLT	30	100	728.26
KNUB-2-1/2-SS	2 1/2 STAINLESS STEEL UBOLT	34	100	787.23
KNUB-3-SS	3 STAINLESS STEEL UBOLT	38	50	843.24
KNUB-3-1/2-SS	3 1/2 STAINLESS STEEL UBOLT	40	25	888.95
KNUB-4-SS	4 STAINLESS STEEL UBOLT	45	25	925.80
KNUB-5-SS	5 STAINLESS STEEL UBOLT	95	25	2892.39
KNUB-6-SS	6 STAINLESS STEEL UBOLT	108	25	3191.66

Stainless Steel U-Bolts are non-cancelable and non-returnable.

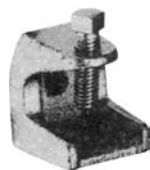


Size	A	B	C	D	S/P *	R
3/8"	N/A	N/A	N/A	N/A	1/4 - 20	N/A
1/2"	2.41	1.50	.85	1.16	5/16 - 18	.443
3/4"	2.73	1.50	1.11	1.42	5/16 - 18	.573
1"	3.04	1.50	1.41	1.72	5/16 - 18	.723
1 1/4"	3.16	1.50	1.75	2.06	5/16 - 18	.893
1 1/2"	3.48	1.50	2.03	2.34	5/16 - 18	1.033
2"	4.30	1.75	2.50	2.88	3/8 - 16	1.275
2 1/2"	4.80	1.75	3.03	3.40	3/8 - 16	1.535
3"	5.36	1.75	3.67	4.04	3/8 - 16	1.855
3 1/2"	5.80	1.75	4.15	4.52	3/8 - 16	2.095
4"	6.50	1.75	4.53	4.90	3/8 - 16	2.285
5"	7.88	2.50	5.75	6.25	1/2 - 13	2.902
6"	8.88	2.50	6.81	7.31	1/2 - 13	3.432

*thread size and pitch

CLAMPS AND CONDUIT SUPPORTS • PRICE GUIDE

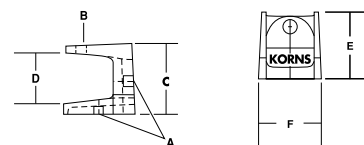
BEAM CLAMPS



Malleable iron with steel set screw—
Hot Dip Galvanized— Standard

CATALOG NUMBER	DESCRIPTION	WEIGHT PER 100 PIECES (lbs)	STANDARD CARTON	LIST PRICE PER 100 PIECES
KNKBC-101	101 BEAM CLAMP	25	25	104.93
KNKBC-102	102 BEAM CLAMP	50	25	296.64
KNKBC-103	103 BEAM CLAMP	95	10	406.22
KNKBC-104	104 BEAM CLAMP	195	10	603.98

SIZE	TRADE DIMENSIONS (INCHES)					
	A	B	C	D	E	F
1	1/4-20	5/16-18	1 1/2	1	1 1/4	1
1 1/2	5/16-18	3/8-16	1 3/4	1	1 5/8	1 1/2
2	3/8-16	1/2-13	2 1/8	1 3/8	2	2
2 1/2	1/2-13	1/2-13	2 1/4	1 3/8	2 1/2	2 3/4



ONE-HOLE STRAPS



Malleable iron—Rigid/IMC
Hot dip galvanized—standard.

CATALOG NUMBER	DESCRIPTION	WEIGHT PER 100 PIECES (lbs)	STANDARD CARTON	LIST PRICE PER 100 PIECES
KNOHK-1/2	1/2 ONE HOLE STRAP	6	50	44.61
KNOHK-3/4	3/4 ONE HOLE STRAP	9	50	53.75
KNOHK-1	1 ONE HOLE STRAP	12	50	78.21
KNOHK-1-1/4	1-1/4 ONE HOLE STRAP	20	25	137.51
KNOHK-1-1/2	1-1/2 ONE HOLE STRAP	28	25	166.22
KNOHK-2	2 ONE HOLE STRAP	63	25	303.65
KNOHK-2-1/2	2-1/2 ONE HOLE STRAP	104	25	645.20
KNOHK-3	3 ONE HOLE STRAP	126	25	909.89
KNOHK-3-1/2	3-1/2 ONE HOLE STRAP	156	10	1269.14
KNOHK-4	4 ONE HOLE STRAP	231	10	2831.15

CLAMPBACK SPACERS



Malleable iron—Rigid/IMC
Hot dip galvanized—standard.

CATALOG NUMBER	DESCRIPTION	WEIGHT PER 100 PIECES (lbs)	STANDARD CARTON	LIST PRICE PER 100 PIECES
KNCSK-1/2	1/2 CLAMPBACK SPACER	8	50	66.22
KNCSK-3/4	3/4 CLAMPBACK SPACER	9	50	76.01
KNCSK-1	1 CLAMPBACK SPACER	15	50	114.20
KNCSK-1-1/4	1-1/4 CLAMPBACK SPACER	16	25	170.40
KNCSK-1-1/2	1-1/2 CLAMPBACK SPACER	22	25	219.51
KNCSK-2	2 CLAMPBACK SPACER	43	25	356.57
KNCSK-2-1/2	2-1/2 CLAMPBACK SPACER	51	25	638.58
KNCSK-3	3 CLAMPBACK SPACER	71	25	1002.51
KNCSK-3-1/2	3-1/2 CLAMPBACK SPACER	101	10	1352.57
KNCSK-4	4 CLAMPBACK SPACER	124	10	3021.05



APPENDIX

Article 310 – Conductors for General Wiring

Table 310.16 Allowable ampacities of insulated conductors rated 0 through 2000 volts, 60°C through 90°C (140°F through 194°F), not more than three current-carrying conductors in raceway, cable, or earth (directly buried), based on ambient temperature of 30°C (86°F)

Size AWG or kcmil	Temperature Rating of Conductors						Size AWG or kcmil
	60°C - (140°F)	75°C - (167°F)	90°C - (194°F)	60°C - (140°F)	75°C - (167°F)	90°C - (194°F)	
	Types TW, UF	Types RHW, THHW, THW, THWN, XHHW, USE, ZW	Types TBS, SA, SIS, FEP, FEPB, MI, RHH, RHW-2, THHN, THHW, THW-2, THWN-2, USE-2, XHH, XHHW, XHHW-2, ZW-2	Types TW, UF	Types RHW, THHW, THW, THWN, XHHW, USE	Types TBS, SA SIS, THHN, THHW, THW-2, THWN-2, RHH, RHW-2, USE-2, XHH, XHHW, XHHW-2, ZW-2	
	COPPER			ALUMINUM OR COPPER-CLAD ALUMINUM			
18			14				
16			18				
14*	20	20	25				
12*	25	25	30	20	20	25	12*
10*	30	35	40	25	30	35	10*
8	40	50	55	30	40	45	8
6	55	65	75	40	50	60	6
4	70	85	95	55	65	75	4
3	85	100	110	65	75	85	3
2	95	115	130	75	90	100	2
1	110	130	150	85	100	115	1
1/0	125	150	170	100	120	135	1/0
2/0	145	175	195	115	135	150	2/0
3/0	165	200	225	130	155	175	3/0
4/0	195	230	260	150	180	205	4/0
250	215	255	290	170	205	230	250
300	240	285	320	190	230	255	300
350	260	310	350	210	250	280	350
400	280	335	380	225	270	305	400
500	320	380	430	260	310	350	500
600	355	420	475	285	340	385	600
700	385	460	520	310	375	420	700
750	400	475	535	320	385	435	750
800	410	490	555	330	395	450	800
900	435	520	585	355	425	480	900
1000	455	545	615	375	445	500	1000
1250	495	590	665	405	485	545	1250
1500	520	625	705	435	520	585	1500
1750	545	650	735	455	545	615	1750
2000	560	665	750	470	560	630	2000

CORRECTION FACTORS

Ambient Temp.(oC)	For ambient temperatures other than 30°C (86°F), multiply the allowable ampacities shown above by the appropriate factor shown below.						Ambient Temp.(oF)
21 - 25	1.08	1.05	1.04	1.08	1.05	1.04	70 - 77
26 - 30	1.00	1.00	1.00	1.00	1.00	1.00	78 - 86
31 - 35	0.91	0.94	0.96	0.91	0.94	0.96	87 - 95
36 - 40	0.82	0.88	0.91	0.82	0.88	0.91	96 - 104
41 - 45	0.71	0.82	0.87	0.71	0.82	0.87	105 - 113
46 - 50	0.58	0.75	0.82	0.58	0.75	0.82	114 - 122
51 - 55	0.41	0.67	0.76	0.41	0.67	0.76	123 - 131
56 - 60		0.58	0.71		0.58	0.71	132 - 140
61 - 70		0.33	0.58		0.33	0.58	141 - 158
71 - 80			0.41			0.41	159 - 176

APPENDIX

Table C8 – Maximum Number of Conductors or Fixture Wires in Rigid Metal Conduit (RMC) (Based on Table 1, Chapter 9)

Type	Conductor Size (AWG/kcmil)	Metric Designator (Trade Size)																									
		16	21	27	35	41	53	63	78	91	103	129	155	1/2	3/4	1	1 1/4	1 1/2	2	2 1/2	3	3 1/2	4	5	6		
		RHH, RHW, RHW-2	14	4	7	12	21	28	46	66	102	136	176	276	398	12	3	6	10	17	23	38	55	85	113	146	229
	10	3	5	8	14	19	31	44	68	91	118	185	267	8	1	2	4	7	10	16	23	36	48	61	97	139	
	8	1	2	4	7	10	16	23	36	48	61	97	139	6	1	1	3	6	8	13	18	29	38	49	77	112	
	6	1	1	3	6	8	13	18	29	38	49	77	112	4	1	1	2	4	6	10	14	22	30	38	60	87	
	4	1	1	2	4	6	10	14	22	30	38	60	87	3	1	1	2	4	5	9	12	19	26	34	53	76	
	3	1	1	2	4	5	9	12	19	26	34	53	76	2	1	1	1	3	4	7	11	17	23	29	46	66	
	2	1	1	1	3	4	7	11	17	23	29	46	66	1	0	1	1	1	3	5	7	11	15	19	30	44	
	1	0	1	1	1	3	5	7	11	15	19	30	44	1/0	0	1	1	1	2	4	6	10	13	17	26	38	
	1/0	0	1	1	1	2	4	6	10	13	17	26	38	2/0	0	1	1	1	2	4	5	8	11	14	23	33	
	2/0	0	1	1	1	2	4	5	8	11	14	23	33	3/0	0	0	1	1	1	3	4	7	10	12	20	28	
	3/0	0	0	1	1	1	3	4	7	10	12	20	28	4/0	0	0	1	1	1	3	4	6	8	11	17	24	
	4/0	0	0	1	1	1	3	4	6	8	11	17	24	250	0	0	0	1	1	1	3	4	6	8	13	18	
	250	0	0	0	1	1	1	3	4	6	8	13	18	300	0	0	0	1	1	1	2	4	5	7	11	16	
	300	0	0	0	1	1	1	2	4	5	7	11	16	350	0	0	0	1	1	1	2	4	5	6	10	15	
	350	0	0	0	1	1	1	2	4	5	6	10	15	400	0	0	0	1	1	1	3	4	6	9	13		
	400	0	0	0	1	1	1	3	4	6	9	13	500	0	0	0	1	1	1	3	4	5	8	11			
	500	0	0	0	1	1	1	3	4	5	8	11	600	0	0	0	0	1	1	1	2	3	4	6	9		
	600	0	0	0	0	1	1	1	2	3	4	6	9	700	0	0	0	0	1	1	1	1	3	4	6	8	
	700	0	0	0	0	1	1	1	1	3	4	6	8	750	0	0	0	0	0	1	1	1	3	3	5	8	
	750	0	0	0	0	0	1	1	1	3	3	5	8	800	0	0	0	0	0	1	1	1	2	3	5	7	
	800	0	0	0	0	0	1	1	1	2	3	5	7	900	0	0	0	0	0	1	1	1	2	3	5	7	
	900	0	0	0	0	0	1	1	1	2	3	5	7	1000	0	0	0	0	0	1	1	1	1	3	4	6	
	1000	0	0	0	0	0	1	1	1	1	3	4	6	TW, THHW, THW, THW-2	14	9	15	25	44	59	98	140	216	288	370	581	839
	TW, THHW, THW, THW-2	12	7	12	19	33	45	75	107	165	221	284	446	644	12	7	12	19	33	45	75	107	165	221	284	446	644
	RHH*, RHW*, RHW-2*	10	5	9	14	25	34	56	80	123	164	212	332	480	10	5	9	14	25	34	56	80	123	164	212	332	480
	RHH*, RHW*, RHW-2*	8	3	5	8	14	19	31	44	68	91	118	185	267	8	3	5	8	14	19	31	44	68	91	118	185	267
	RHH*, RHW*, RHW-2*	14	6	10	17	29	39	65	93	143	191	246	387	558	14	6	10	17	29	39	65	93	143	191	246	387	558
	RHH*, RHW*, RHW-2*	12	5	8	13	23	32	52	75	115	154	198	311	448	12	5	8	13	23	32	52	75	115	154	198	311	448
	RHH*, RHW*, RHW-2*	10	3	6	10	18	25	41	58	90	120	154	242	350	10	3	6	10	18	25	41	58	90	120	154	242	350
	RHH*, RHW*, RHW-2*	8	1	4	6	11	15	24	35	54	72	92	145	209	8	1	4	6	11	15	24	35	54	72	92	145	209

Type	Conductor Size (AWG/kcmil)	Metric Designator (Trade Size)																									
		16	21	27	35	41	53	63	78	91	103	129	155	1/2	3/4	1	1 1/4	1 1/2	2	2 1/2	3	3 1/2	4	5	6		
		RHH*, RHW*, RHW-2*, TW, THW, THHW, THW-2	6	1	3	5	8	11	18	27	41	55	71	111	160	6	1	3	5	8	11	18	27	41	55	71	111
	4	1	1	3	6	8	14	20	31	41	53	83	120	4	1	1	3	6	8	14	20	31	41	53	83	120	
	3	1	1	3	5	7	12	17	26	35	45	71	103	3	1	1	3	5	7	12	17	26	35	45	71	103	
	2	1	1	2	4	6	10	14	22	30	38	60	87	2	1	1	2	4	6	10	14	22	30	38	60	87	
	1	1	1	1	3	4	7	10	15	21	27	42	61	1	1	1	1	3	4	7	10	15	21	27	42	61	
	1/0	0	1	1	2	3	6	8	13	18	23	36	52	1/0	0	1	1	2	3	6	8	13	18	23	36	52	
	2/0	0	1	1	2	3	5	7	11	15	19	31	44	2/0	0	1	1	2	3	5	7	11	15	19	31	44	
	3/0	0	1	1	1	2	4	6	9	13	16	26	37	3/0	0	1	1	1	2	4	6	9	13	16	26	37	
	4/0	0	0	1	1	1	3	5	8	10	14	21	31	4/0	0	0	1	1	1	3	5	8	10	14	21	31	
	250	0	0	1	1	1	3	4	6	8	11	17	25	250	0	0	1	1	1	3	4	6	8	11	17	25	
	300	0	0	1	1	1	2	3	5	7	9	15	22	300	0	0	1	1	1	2	3	5	7	9	15	22	
	350	0	0	0	1	1	1	3	5	6	8	13	19	350	0	0	0	1	1	1	3	5	6	8	13	19	
	400	0	0	0	1	1	1	3	4	6	7	12	17	400	0	0	0	1	1	1	3	4	6	7	12	17	
	500	0	0	0	1	1	1	2	3	5	6	10	14	500	0	0	0	1	1	1	2	3	5	6	10	14	
	600	0	0	0	1	1	1	1	3	4	5	8	12	600	0	0	0	1	1	1	1	3	4	5	8	12	
	700	0	0	0	0	1	1	1	1	2	3	4	7	10	700	0	0	0	0	1	1	1	2	3	4	7	10
	750	0	0	0	0	1	1	1	1	2	3	4	7	10	750	0	0	0	0	1	1	1	2	3	4	7	10
	800	0	0	0	0	1	1	1	1	2	3	4	6	9	800	0	0	0	0	1	1	1	2	3	4	6	9
	900	0	0	0	0	1	1	1	1	3	4	6	8	900	0	0	0	0	1	1	1	3	4	6	8		
	1000	0	0	0	0	0	1	1	1	1	2	3	5	8	1000	0	0	0	0	0	1	1	1	2	3	5	8
THHN, THWN, THWN-2	14	13	22	36	63	85	140	200	309	412	531	833	1202	14	13	22	36	63	85	140	200	309	412	531	833	1202	
	12	9	16	26	46	62	102	146	225	301	387	608	877	12	9	16	26	46	62	102	146	225	301	387	608	877	
	10	6	10	17	29	39	64	92	142	189	244	383	552	10	6	10	17	29	39	64	92	142	189	244	383	552	
	8	3	6	9	16	22	37	53	82	109	140	221	318	8	3	6	9	16	22	37	53	82	109	140	221	318	
	6	2	4	7	12	16	27	38	59	79	101	159	230	6	2	4	7	12	16	27	38	59	79	101	159	230	
	4	1	2	4	7	10	16	23	36	48	62	98	141	4	1	2	4	7	10	16	23	36	48	62	98	141	
	3	1	1	3	6	8	14	20	31	41	53	83	120	3	1	1	3	6	8	14	20	31	41	53	83	120	
	2	1	1	3	5	7	11	17	26	34	44	70	100	2	1	1	3	5	7	11	17	26	34	44	70	100	
	1	1	1	1	4	5	8	12	19	25	33	51	74	1	1	1	1	4	5	8	12	19	25	33	51	74	
	1/0	1	1	1	3	4	7	10	16	21	27	43	63	1/0	1	1	1	3	4	7	10	16	21	27	43	63	
	2/0	0	1	1	2	3	6	8	13	18	23	36	52	2/0	0	1	1	2	3	6	8	13	18	23	36	52	
	3/0	0	1	1	1	3	5	7	11	15	19	30															

Robroy Conduit Pipe Fittings are manufactured in accordance with the provisions of the following specifications:

Galvanized Rigid Metal Conduit

Underwriters' Laboratories, Inc. Standard UL-6
American National Standards Institute, Inc. ANSI C80.1

Electrical Metallic Tubing

Underwriters' Laboratories, Inc. Standard UL-797
American National Standards Institute, Inc. ANSI C80.3

Aluminum Rigid Conduit

Underwriters' Laboratories, Inc. Standard UL-6
American National Standards Institute, Inc. ANSI C80.5

Intermediate Metal Conduit

Underwriters' Laboratories, Inc. Standard UL-1242
American National Standards Institute, Inc. ANSI C80.6

NEMA - NEMRA - NMG Group-NAED Associates

CSA APPROVED

- C 22.2 NO 45
- C22.2 NO 83



CONDUIT DIVISION

3159 Wilkes Power Plant Road
Avinger, Texas 75630
Telephone: 903/562-1342
Fax: 903/562-1711