



ECN KORN'S

ROBROY INDUSTRIES

PRICE GUIDE

COUPLINGS

- Galvanized
- Aluminum

ELBOWS

- Galvanized
- EMT
- Aluminum

NIPPLES

- Galvanized
- Aluminum

CLAMPS

The Original
"KORN'S CLAMP"



- Right Angle (RA) Conduit Supports
- Edge Type (ET) Conduit Supports
- One Hole Straps
- Clampback Spacers
- U-Bolts
- SS Hardware
- Parallels (PAR)
- Beam Clamps

Manufacturers UPC #784011

Price List
Catalog F-169

Effective March 17, 2008
Supersedes all previous



ROBROY CONDUIT PIPE FITTINGS

TERMS AND CONDITIONS OF SALE

TRADE DISCOUNTS - Prices shown are list prices. Contact your ECN/KORNS sales representative for trade discounts.

TERMS - 2% 10th prox. Net 25 days.

FREIGHT - All shipments are made F.O.B. carrier's equipment Avinger, TX or other shipping point, where title passes to purchaser upon receipt of goods by carrier. Freight prepaid to destination. All shipments less than \$1000 net price will be made freight collect or prepaid and charged on face of invoice. All Galvanized Fittings products (conduits, elbows, couplings and Korns) may be combined to qualify for freight allowed shipments. Routing method and carrier will be determined by ROBROY INDUSTRIES and any expense incurred by buyer's deviation or direction will be for buyer's account. Alaskan, Hawaiian, and export shipments are F.A.S. port of embarkation with all unloading charges and wharfage to be billed to buyer. All shipments subject to price in effect at time of shipment.

SPECIAL PACKAGING - A minimum charge of 2 1/2% will be added to list price for any special packaging and/or marking beyond our regular commercial practice.

MINIMUM CHARGE - \$100.00 net.

DAMAGE OR LOSS IN TRANSPORTATION CLAIMS - All shipments are made F.O.B. carrier's equipment Avinger, TX or other shipping point, where title passes to purchaser upon pick-up. Consignee should file claim for loss or damage with transportation company immediately upon receipt of goods.

CHANGE OF PRICE - All prices and/or quotations are subject to change without notice, and all material will be invoiced at prices in effect on date of shipment.

ACCEPTANCE - Orders do not become binding upon the company unless and until they are accepted by the General Manager.

SHORTAGE CLAIMS - No shortage claims will be recognized unless such shortage is reported to our Avinger, TX office within ten (10) days from receipt of shipment at destination.

SPECIAL ITEMS - Certain items on this price sheet are non-standard and are noncancelable and nonreturnable.

RETURN OF GOODS - No material will be taken back and credited or replaced unless arrangements for such return have previously been made with the home office of ROBROY INDUSTRIES. Certain conditions for return may apply.

GUARANTEE - All material is guaranteed to be free from defects in materials and workmanship for a period of one year from date of shipment to the distributor. ROBROY INDUSTRIES liability shall be only to the extent of replacement of defective parts. ROBROY INDUSTRIES MAKES NO OTHER WARRANTIES WHETHER EXPRESSED OR IMPLIED.



CONDUIT DIVISION

3159 Wilkes Power Plant Rd.

Avinger, Texas 75630

Telephone: 903/562-1342

Fax: 903/562-1711



RIGID STEEL COUPLINGS AND ELBOWS • PRICE GUIDE

UL Listed and Labeled

RIGID STEEL CONDUIT GALVANIZED COUPLINGS

| CATALOG NUMBER | DESCRIPTION | WEIGHT PER 100 PIECES (lbs) | STANDARD CARTON | LIST PRICE PER 100 PIECES |
|----------------|-----------------------------|-----------------------------|-----------------|---------------------------|
| GALCPLG1/2 | 1/2" GALVANIZED COUPLINGS | 12 | 100 | 347.04 |
| GALCPLG3/4 | 3/4" GALVANIZED COUPLINGS | 18 | 50 | 426.03 |
| GALCPLG1 | 1" GALVANIZED COUPLINGS | 31 | 50 | 630.99 |
| GALCPLG1-1/4 | 1 1/4" GALVANIZED COUPLINGS | 40 | 50 | 788.89 |
| GALCPLG1-1/2 | 1 1/2" GALVANIZED COUPLINGS | 52 | 50 | 996.24 |
| GALCPLG2 | 2" GALVANIZED COUPLINGS | 73 | 20 | 1,316.73 |
| GALCPLG2-1/2 | 2 1/2" GALVANIZED COUPLINGS | 179 | 12 | 3,261.21 |
| GALCPLG3 | 3" GALVANIZED COUPLINGS | 221 | 12 | 4,222.47 |
| GALCPLG3-1/2 | 3 1/2" GALVANIZED COUPLINGS | 355 | 12 | 5,662.06 |
| GALCPLG4 | 4" GALVANIZED COUPLINGS | 313 | 12 | 5,686.28 |
| GALCPLG5 | 5" GALVANIZED COUPLINGS | 432 | BLK | 13,121.89 |
| GALCPLG6 | 6" GALVANIZED COUPLINGS | 730 | BLK | 18,220.22 |

UL Listed and Labeled

RIGID CONDUIT STANDARD RADIUS ELBOWS

| CATALOG NUMBER | DESCRIPTION | WEIGHT PER 100 PIECES (lbs) | STANDARD CARTON | LIST PRICE PER 100 PIECES | RADIUS |
|----------------|----------------------------|-----------------------------|-----------------|---------------------------|--------|
| GALELB1/2X90 | 1/2X90 GALVANIZED ELBOWS | 75 | 50 | 1,417.53 | 4.25" |
| GALELB3/4X90 | 3/4X90 GALVANIZED ELBOWS | 109 | 50 | 1,480.89 | 4.50" |
| GALELB1X90 | 1X90 GALVANIZED ELBOWS | 189 | 25 | 2,270.70 | 5.75" |
| GALELB1-1/4X90 | 1 1/4X90 GALVANIZED ELBOWS | 303 | 10 | 3,115.61 | 7.25" |
| GALELB1-1/2X90 | 1 1/2X90 GALVANIZED ELBOWS | 416 | 15 | 3,862.46 | 8.25" |
| GALELB2X90 | 2X90 GALVANIZED ELBOWS | 635 | 10 | 5,576.41 | 9.50" |
| GALELB2-1/2X90 | 2 1/2X90 GALVANIZED ELBOWS | 1217 | BLK | 10,385.87 | 10.50" |
| GALELB3X90 | 3X90 GALVANIZED ELBOWS | 1801 | BLK | 14,405.15 | 13.00" |
| GALELB3-1/2X90 | 3 1/2X90 GALVANIZED ELBOWS | 2684 | BLK | 22,788.64 | 15.00" |
| GALELB4X90 | 4X90 GALVANIZED ELBOWS | 3166 | BLK | 25,834.64 | 16.00" |
| GALELB5X90 | 5X90 GALVANIZED ELBOWS | 6339 | BLK | 71,466.39 | 24.00" |
| GALELB6X90 | 6X90 GALVANIZED ELBOWS | 10575 | BLK | 107,534.93 | 30.00" |
| GALELB1/2X45 | 1/2X45 GALVANIZED ELBOWS | 64 | 50 | 1,417.53 | 4.25" |
| GALELB3/4X45 | 3/4X45 GALVANIZED ELBOWS | 93 | 50 | 1,480.89 | 4.50" |
| GALELB1X45 | 1X45 GALVANIZED ELBOWS | 161 | 25 | 2,270.70 | 5.75" |
| GALELB1-1/4X45 | 1 1/4X45 GALVANIZED ELBOWS | 258 | 10 | 3,115.61 | 7.25" |
| GALELB1-1/2X45 | 1 1/2X45 GALVANIZED ELBOWS | 354 | 15 | 3,862.46 | 8.25" |
| GALELB2X45 | 2X45 GALVANIZED ELBOWS | 540 | 10 | 5,576.41 | 9.50" |
| GALELB2-1/2X45 | 2 1/2X45 GALVANIZED ELBOWS | 1034 | blk | 10,385.87 | 10.50" |
| GALELB3X45 | 3X45 GALVANIZED ELBOWS | 1531 | blk | 14,405.15 | 13.00" |
| GALELB3-1/2X45 | 3 1/2X45 GALVANIZED ELBOWS | 2281 | blk | 22,788.64 | 15.00" |
| GALELB4X45 | 4X45 GALVANIZED ELBOWS | 2691 | blk | 25,834.64 | 16.00" |
| GALELB5X45 | 5X45 GALVANIZED ELBOWS | 5388 | blk | 71,466.39 | 24.00" |
| GALELB6X45 | 6X45 GALVANIZED ELBOWS | 8989 | blk | 107,534.93 | 30.00" |

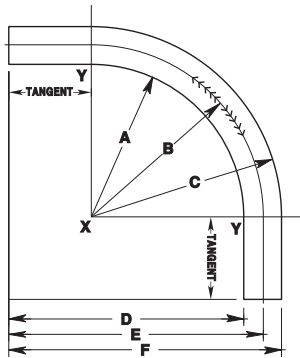
NOTE: Weights shown are approximate for 90° elbows. To arrive at weights for 45° elbows deduct 15%.

Sizes 2-1/2 " and larger shipped in palletized cartons or bulk, thread protectors each end and ECN/Korns identifying label.

CONDUIT 90° STANDARD RADIUS ELBOWS • CONDUIT THREAD AND COUPLING DIMENSIONS

CONDUIT 90° STANDARD RADIUS ELBOWS

All dimensions are approximate.



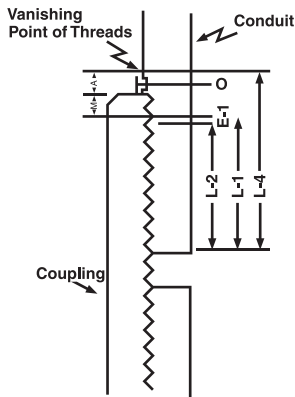
Large Radius Conduit Elbows

| Nom- inal Size (in.) | Diameters | | Unbent Length (in.) | Radii | | | Offset | | | Tan- gent (in.) | Steel Approx. Weight per 100 Pieces (lbs.) |
|-------------------------------|-------------------|-------------------|---------------------------|------------|------------|------------|------------|------------|------------|-----------------------|---|
| | External (in.) | Internal (in.) | | A (in.) | B (in.) | C (in.) | D (in.) | E (in.) | F (in.) | | |
| ½ | .840 | .622 | 11¼ | 3.83 | 4.25 | 4.67 | 6.08 | 6.50 | 6.92 | 2.25 | 75 |
| ¾ | 1.050 | .824 | 12½ | 3.98 | 4.50 | 5.03 | 6.73 | 7.25 | 7.78 | 2.75 | 111 |
| 1 | 1.315 | 1.049 | 14¾ | 5.09 | 5.75 | 6.41 | 8.00 | 8.625 | 9.285 | 2.875 | 195 |
| 1¼ | 1.660 | 1.380 | 17¾ | 6.42 | 7.25 | 8.08 | 9.607 | 10.437 | 11.267 | 3.187 | 320 |
| 1½ | 1.900 | 1.610 | 19¾ | 7.30 | 8.25 | 9.20 | 10.675 | 11.625 | 12.575 | 3.375 | 423 |
| 2 | 2.375 | 2.067 | 22½ | 8.31 | 9.50 | 10.69 | 12.123 | 13.313 | 14.50 | 3.813 | 671 |
| 2½ | 2.875 | 2.469 | 28 | 9.06 | 10.50 | 11.94 | 14.81 | 16.25 | 17.69 | 5.753 | 1,288 |
| 3 | 3.500 | 3.068 | 32 | 11.25 | 13.00 | 14.75 | 17.00 | 18.75 | 20.50 | 5.753 | 1,926 |
| 3½ | 4.000 | 3.548 | 39½ | 13.00 | 15.00 | 17.00 | 20.97 | 22.97 | 24.97 | 7.96 | 2,853 |
| 4 | 4.500 | 4.026 | 39½ | 13.75 | 16.00 | 18.25 | 20.93 | 23.18 | 25.43 | 7.18 | 3,373 |
| 5 | 5.563 | 5.047 | 59½ | 21.22 | 24.00 | 26.78 | 32.12 | 34.90 | 37.68 | 10.90 | 7,388 |
| 6 | 6.625 | 6.065 | 76 | 26.68 | 30.00 | 33.31 | 40.13 | 43.44 | 46.75 | 14.44 | 12,287 |

CONDUIT THREAD AND COUPLING DIMENSIONS

*Couplings are straight tapped.

Tolerance, thread length= ±1 thread. Plus or minus 1 turn is the maximum variation permitted from the gaging face of the working thread gages. This is equivalent to plus or minus 1 and 1/2 turns from basic dimensions, since a variation of plus or minus 1/2 turn from basic dimensions is permitted in working gages.



| Nom- inal Size | Conduit | | Threads | | | | Coupling* | | | Hand- Tight Stand Off Basic Inches |
|----------------------|------------------------|--|---------------------|---|--|-------------------------------|--|-----------------------------|----|---|
| | Threads per Inch | Length From End of Pipe to Hand- Tight Plane | Effective Length | Total Length of Threads to Vanish Point | Pitch Diameter | | Length from Hand- Tight Plane to Face Coupling | Dia. of Counter- sink | | |
| | | | | | At End of Thread 3/4" Taper per Ft. | At Hand- Tight Plane | | | Q | |
| ½ | 14 | .5658 | .5337 | .7815 | .7584 | .7938 | .1086 | .840 | 1½ | |
| ¾ | 14 | .5778 | .5457 | .7935 | .9677 | 1.0038 | .1086 | 1.050 | 1½ | |
| 1 | 11½ | .7217 | .6828 | .9845 | 1.2136 | 1.2587 | .1323 | 1.315 | 1½ | |
| 1¼ | 11½ | .7457 | .7068 | 1.0085 | 1.5571 | 1.6037 | .1323 | 1.660 | 1½ | |
| 1½ | 11½ | .7624 | .7235 | 1.0252 | 1.7961 | 1.8437 | .1323 | 1.900 | 1½ | |
| 2 | 11½ | .7954 | .7565 | 1.0582 | 2.2690 | 2.3187 | .1323 | 2.375 | 1½ | |
| 2½ | 8 | 1.1935 | 1.1375 | 1.5712 | 2.7195 | 2.7941 | .1902 | 2.875 | 1½ | |
| 3 | 8 | 1.2560 | 1.2000 | 1.6337 | 3.3406 | 3.4191 | .1902 | 3.500 | 1½ | |
| 3½ | 8 | 1.3060 | 1.2500 | 1.6837 | 3.8375 | 3.9191 | .1902 | 4.000 | 1½ | |
| 4 | 8 | 1.3560 | 1.3000 | 1.7337 | 4.3344 | 4.4191 | .1902 | 4.500 | 1½ | |
| 5 | 8 | 1.4623 | 1.4063 | 1.8400 | 5.3907 | 5.4821 | .1902 | 5.563 | 1½ | |
| 6 | 8 | 1.5685 | 1.5125 | 1.9462 | 6.4461 | 6.5441 | .1902 | 6.625 | 1½ | |



GALVANIZED SPECIAL RADIUS ELBOWS • PRICE GUIDE

UL Listed and Labeled

GALVANIZED SPECIAL RADIUS ELBOWS (Factory Mandrel Tested)

| CATALOG NUMBER | DESCRIPTION | APP WEIGHT (lbs) | STANDARD CARTON | LIST PRICE EACH |
|-------------------|--|------------------|-----------------|-----------------|
| GALELB3/4X90X12 | 3/4X90X12 LG RADIUS GALVANIZED ELBOW | 4 | BLK | 81.11 |
| GALELB1X90X12 | 1X90X12 LG RADIUS GALVANIZED ELBOW | 4 | BLK | 81.13 |
| GALELB1-1/4X90X12 | 1 1/4X90X12 LG RADIUS GALVANIZED ELBOW | 4 | BLK | 92.62 |
| GALELB1-1/2X90X12 | 1 1/2X90X12 LG RADIUS GALVANIZED ELBOW | 7 | BLK | 92.62 |
| GALELB2X90X12 | 2X90X12 LG RADIUS GALVANIZED ELBOW | 9 | BLK | 130.68 |
| GALELB2-1/2X90X12 | 2 1/2X90X12 LG RADIUS GALVANIZED ELBOW | 15 | BLK | 166.18 |
| GALELB1-1/4X90X15 | 1 1/4X90X15 LG RADIUS GALVANIZED ELBOW | 7 | BLK | 119.62 |
| GALELB1-1/2X90X15 | 1 1/2X90X15 LG RADIUS GALVANIZED ELBOW | 8 | BLK | 123.24 |
| GALELB2X90X15 | 2X90X15 LG RADIUS GALVANIZED ELBOW | 11 | BLK | 144.47 |
| GALELB2-1/2X90X15 | 2 1/2X90X15 LG RADIUS GALVANIZED ELBOW | 18 | BLK | 209.64 |
| GALELB3X90X15 | 3X90X15 LG RADIUS GALVANIZED ELBOW | 23 | BLK | 277.27 |
| GALELB1X90X18 | 1X90X18 LG RADIUS GALVANIZED ELBOW | 6 | BLK | 103.18 |
| GALELB1-1/4X90X18 | 1 1/4X90X18 LG RADIUS GALVANIZED ELBOW | 8 | BLK | 116.95 |
| GALELB1-1/2X90X18 | 1 1/2X90X18 LG RADIUS GALVANIZED ELBOW | 10 | BLK | 136.58 |
| GALELB2X90X18 | 2X90X18 LG RADIUS GALVANIZED ELBOW | 13 | BLK | 171.83 |
| GALELB2-1/2X90X18 | 2 1/2X90X18 LG RADIUS GALVANIZED ELBOW | 21 | BLK | 237.39 |
| GALELB3X90X18 | 3X90X18 LG RADIUS GALVANIZED ELBOW | 25 | BLK | 299.62 |
| GALELB3-1/2X90X18 | 3 1/2X90X18 LG RADIUS GALVANIZED ELBOW | 34 | BLK | 423.58 |
| GALELB4X90X18 | 4X90X18 LG RADIUS GALVANIZED ELBOW | 38 | BLK | 473.28 |
| GALELB1X90X24 | 1X90X24 LG RADIUS GALVANIZED ELBOW | 8 | BLK | 136.68 |
| GALELB1-1/4X90X24 | 1 1/4X90X24 LG RADIUS GALVANIZED ELBOW | 11 | BLK | 149.85 |
| GALELB1-1/2X90X24 | 1 1/2X90X24 LG RADIUS GALVANIZED ELBOW | 13 | BLK | 161.20 |
| GALELB2X90X24 | 2X90X24 LG RADIUS GALVANIZED ELBOW | 17 | BLK | 210.60 |
| GALELB2-1/2X90X24 | 2 1/2X90X24 LG RADIUS GALVANIZED ELBOW | 27 | BLK | 286.97 |
| GALELB3X90X24 | 3X90X24 LG RADIUS GALVANIZED ELBOW | 35 | BLK | 377.34 |
| GALELB3-1/2X90X24 | 3 1/2X90X24 LG RADIUS GALVANIZED ELBOW | 40 | BLK | 499.10 |
| GALELB4X90X24 | 4X90X24 LG RADIUS GALVANIZED ELBOW | 45 | BLK | 533.48 |
| GALELB1X90X30 | 1X90X30 LG RADIUS GALVANIZED ELBOW | 9 | BLK | 134.64 |
| GALELB1-1/4X90X30 | 1 1/4X90X30 LG RADIUS GALVANIZED ELBOW | 13 | BLK | 174.34 |
| GALELB1-1/2X90X30 | 1 1/2X90X30 LG RADIUS GALVANIZED ELBOW | 15 | BLK | 203.04 |
| GALELB2X90X30 | 2X90X30 LG RADIUS GALVANIZED ELBOW | 20 | BLK | 258.17 |
| GALELB2-1/2X90X30 | 2 1/2X90X30 LG RADIUS GALVANIZED ELBOW | 32 | BLK | 334.50 |
| GALELB3X90X30 | 3X90X30 LG RADIUS GALVANIZED ELBOW | 42 | BLK | 438.73 |
| GALELB3-1/2X90X30 | 3 1/2X90X30 LG RADIUS GALVANIZED ELBOW | 50 | BLK | 573.77 |
| GALELB4X90X30 | 4X90X30 LG RADIUS GALVANIZED ELBOW | 55 | BLK | 643.79 |
| GALELB5X90X30 | 5X90X30 LG RADIUS GALVANIZED ELBOW | 77 | BLK | 827.15 |
| GALELB1X90X36 | 1X90X36 LG RADIUS GALVANIZED ELBOW | 11 | BLK | 152.61 |
| GALELB1-1/4X90X36 | 1 1/4X90X36 LG RADIUS GALVANIZED ELBOW | 15 | BLK | 186.40 |
| GALELB1-1/2X90X36 | 1 1/2X90X36 LG RADIUS GALVANIZED ELBOW | 18 | BLK | 234.10 |
| GALELB2X90X36 | 2X90X36 LG RADIUS GALVANIZED ELBOW | 24 | BLK | 272.25 |
| GALELB2-1/2X90X36 | 2 1/2X90X36 LG RADIUS GALVANIZED ELBOW | 38 | BLK | 390.91 |
| GALELB3X90X36 | 3X90X36 LG RADIUS GALVANIZED ELBOW | 49 | BLK | 491.17 |
| GALELB3-1/2X90X36 | 3 1/2X90X36 LG RADIUS GALVANIZED ELBOW | 58 | BLK | 670.22 |
| GALELB4X90X36 | 4X90X36 LG RADIUS GALVANIZED ELBOW | 65 | BLK | 696.05 |
| GALELB5X90X36 | 5X90X36 LG RADIUS GALVANIZED ELBOW | 91 | BLK | 1,251.36 |
| GALELB6X90X36 | 6X90X36 LG RADIUS GALVANIZED ELBOW | 123 | BLK | 1,374.79 |



GALVANIZED SPECIAL RADIUS ELBOWS • PRICE GUIDE

GALVANIZED SPECIAL RADIUS ELBOWS (Factory Mandrel Tested)

| CATALOG NUMBER | DESCRIPTION | APP WEIGHT (lbs) | STANDARD CARTON | LIST PRICE EACH |
|-------------------|--|------------------|-----------------|-----------------|
| GALELB1X90X42 | 1X90X42 LG RADIUS GALVANIZED ELBOW | 12 | BLK | 179.98 |
| GALELB1-1/4X90X42 | 1 1/4X90X42 LG RADIUS GALVANIZED ELBOW | 16 | BLK | 218.44 |
| GALELB1-1/2X90X42 | 1 1/2X90X42 LG RADIUS GALVANIZED ELBOW | 19 | BLK | 259.93 |
| GALELB2X90X42 | 2X90X42 LG RADIUS GALVANIZED ELBOW | 26 | BLK | 330.45 |
| GALELB2-1/2X90X42 | 2 1/2X90X42 LG RADIUS GALVANIZED ELBOW | 41 | BLK | 434.02 |
| GALELB3X90X42 | 3X90X42 LG RADIUS GALVANIZED ELBOW | 53 | BLK | 567.98 |
| GALELB3-1/2X90X42 | 3 1/2X90X42 LG RADIUS GALVANIZED ELBOW | 63 | BLK | 747.27 |
| GALELB4X90X42 | 4X90X42 LG RADIUS GALVANIZED ELBOW | 70 | BLK | 917.84 |
| GALELB5X90X42 | 5X90X42 LG RADIUS GALVANIZED ELBOW | 98 | BLK | 1,557.42 |
| GALELB6X90X42 | 6X90X42 LG RADIUS GALVANIZED ELBOW | 133 | BLK | 1,639.81 |
| GALELB1X90X48 | 1X90X48 LG RADIUS GALVANIZED ELBOW | 14 | BLK | 200.63 |
| GALELB1-1/4X90X48 | 1 1/4X90X48 LG RADIUS GALVANIZED ELBOW | 18 | BLK | 243.21 |
| GALELB1-1/2X90X48 | 1 1/2X90X48 LG RADIUS GALVANIZED ELBOW | 22 | BLK | 289.73 |
| GALELB2X90X48 | 2X90X48 LG RADIUS GALVANIZED ELBOW | 29 | BLK | 374.43 |
| GALELB2-1/2X90X48 | 2 1/2X90X48 LG RADIUS GALVANIZED ELBOW | 46 | BLK | 513.54 |
| GALELB3X90X48 | 3X90X48 LG RADIUS GALVANIZED ELBOW | 61 | BLK | 645.47 |
| GALELB3-1/2X90X48 | 3 1/2X90X48 LG RADIUS GALVANIZED ELBOW | 72 | BLK | 844.19 |
| GALELB4X90X48 | 4X90X48 LG RADIUS GALVANIZED ELBOW | 80 | BLK | 1,035.57 |
| GALELB5X90X48 | 5X90X48 LG RADIUS GALVANIZED ELBOW | 112 | BLK | 1,653.25 |
| GALELB6X90X48 | 6X90X48 LG RADIUS GALVANIZED ELBOW | 152 | BLK | 1,693.43 |
| GALELB1-1/2X90X60 | 1 1/2X90X60 LG RADIUS GALVANIZED ELBOW | 21 | BLK | 617.33 |
| GALELB2X90X60 | 2X90X60 LG RADIUS GALVANIZED ELBOW | 31 | BLK | 726.27 |
| GALELB2-1/2X90X60 | 2 1/2X90X60 LG RADIUS GALVANIZED ELBOW | 50 | BLK | 854.42 |
| GALELB3X90X60 | 3X90X60 LG RADIUS GALVANIZED ELBOW | 73 | BLK | 1,005.20 |
| GALELB3-1/2X90X60 | 3 1/2X90X60 LG RADIUS GALVANIZED ELBOW | 88 | BLK | 1,182.59 |
| GALELB4X90X60 | 4X90X60 LG RADIUS GALVANIZED ELBOW | 96 | BLK | 1,377.52 |
| GALELB5X90X60 | 5X90X60 LG RADIUS GALVANIZED ELBOW | 132 | BLK | 2,256.97 |
| GALELB6X90X60 | 6X90X60 LG RADIUS GALVANIZED ELBOW | 175 | BLK | 2,356.88 |

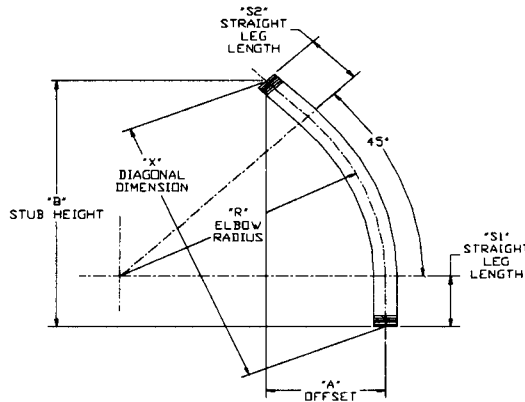
NOTES: Weights shown are approximate for 90° elbows. To arrive at weights for 60° elbows deduct 10%, for 45° elbows deduct 15% and 30° elbows deduct 20%.

Prices are available for special sizes, bends and lengths. Prices shown are for 90° elbows.

Galvanized special radius elbows are available in 45°, 60° and 30°

All special radius elbows are noncancelable and nonreturnable.

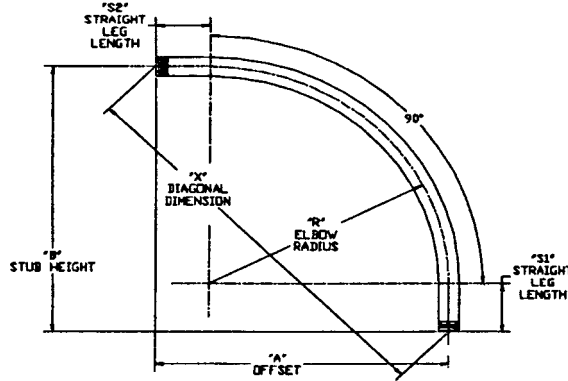
GALVANIZED SPECIAL RADIUS ELBOWS



GALVANIZED SPECIAL RADIUS ELBOWS • 45 DEGREES

| SIZE | RADIUS | 12 | 15 | 18 | 24 | 30 | 36 | 42 | 48 | 60 |
|-------|-----------------|----------|----------|----------|----------|----------|---------|----------|----------|----------|
| 1 | LEG LENGTH | 9 | 9 | 10 | 11 | 11 | 11 | 12 | 11 15/16 | |
| | UNBENT LENGTH | 27 7/16 | 29 3/4 | 34 1/8 | 40 7/8 | 45 9/16 | 50 1/4 | 56 15/16 | 61 5/8 | |
| | DIAGONAL | 25 13/16 | 28 1/16 | 32 1/4 | 38 3/4 | 43 5/16 | 47 7/8 | 54 1/4 | 58 7/8 | |
| | "A" OFFSET | 9 7/8 | 10 3/4 | 12 5/16 | 14 13/16 | 16 9/16 | 18 5/16 | 20 3/4 | 22 1/2 | |
| | "B" STUB HEIGHT | 23 7/8 | 25 15/16 | 29 13/16 | 35 3/4 | 40 | 44 3/16 | 50 1/8 | 54 3/8 | |
| 1 1/4 | LEG LENGTH | 9 | 9 | 10 | 11 | 11 | 11 | 12 | 11 15/16 | |
| | UNBENT LENGTH | 27 7/16 | 29 3/4 | 34 1/8 | 40 7/8 | 45 9/16 | 50 1/4 | 56 15/16 | 61 5/8 | |
| | DIAGONAL | 25 13/16 | 28 1/16 | 32 1/4 | 38 3/4 | 43 5/16 | 47 7/8 | 54 1/4 | 58 7/8 | |
| | "A" OFFSET | 9 7/8 | 10 3/4 | 12 5/16 | 14 13/16 | 16 9/16 | 18 5/16 | 20 3/4 | 22 1/2 | |
| | "B" STUB HEIGHT | 23 7/8 | 25 15/16 | 29 13/16 | 35 3/4 | 40 | 44 3/16 | 50 1/8 | 54 3/8 | |
| 1 1/2 | LEG LENGTH | 9 | 9 | 10 | 11 | 11 | 11 | 12 | 11 15/16 | |
| | UNBENT LENGTH | 27 7/16 | 29 3/4 | 34 1/8 | 40 7/8 | 45 9/16 | 50 1/4 | 56 15/16 | 61 5/8 | |
| | DIAGONAL | 25 13/16 | 28 1/16 | 32 1/4 | 38 3/4 | 43 5/16 | 47 7/8 | 54 1/4 | 58 7/8 | |
| | "A" OFFSET | 9 7/8 | 10 3/4 | 12 5/16 | 14 13/16 | 16 9/16 | 18 5/16 | 20 3/4 | 22 1/2 | |
| | "B" STUB HEIGHT | 23 7/8 | 25 15/16 | 29 13/16 | 35 3/4 | 40 | 44 3/16 | 50 1/8 | 54 3/8 | |
| 2 | LEG LENGTH | 9 | 9 | 10 | 11 | 11 | 11 | 12 | 11 15/16 | |
| | UNBENT LENGTH | 27 7/16 | 29 3/4 | 34 1/8 | 40 7/8 | 45 9/16 | 50 1/4 | 56 15/16 | 61 5/8 | |
| | DIAGONAL | 25 13/16 | 28 1/16 | 32 1/4 | 38 3/4 | 43 5/16 | 47 7/8 | 54 1/4 | 58 7/8 | |
| | "A" OFFSET | 9 7/8 | 10 3/4 | 12 5/16 | 14 13/16 | 16 9/16 | 18 5/16 | 20 3/4 | 22 1/2 | |
| | "B" STUB HEIGHT | 23 7/8 | 25 15/16 | 29 13/16 | 35 3/4 | 40 | 44 3/16 | 50 1/8 | 54 3/8 | |
| 2 1/2 | LEG LENGTH | 9 | 9 | 10 | 11 | 11 | 11 | 12 | 11 15/16 | |
| | UNBENT LENGTH | 27 7/16 | 29 3/4 | 34 1/8 | 40 7/8 | 45 9/16 | 50 1/4 | 56 15/16 | 61 5/8 | |
| | DIAGONAL | 25 13/16 | 28 1/16 | 32 1/4 | 38 3/4 | 43 5/16 | 47 7/8 | 54 1/4 | 58 7/8 | |
| | "A" OFFSET | 9 7/8 | 10 3/4 | 12 5/16 | 14 13/16 | 16 9/16 | 18 5/16 | 20 3/4 | 22 1/2 | |
| | "B" STUB HEIGHT | 23 7/8 | 25 15/16 | 29 13/16 | 35 3/4 | 40 | 44 3/16 | 50 1/8 | 54 3/8 | |
| 3 | LEG LENGTH | | 9 | 10 | 11 | 11 | 11 | 12 | 11 15/16 | |
| | UNBENT LENGTH | | 29 3/4 | 34 1/8 | 40 7/8 | 45 9/16 | 50 1/4 | 56 15/16 | 61 5/8 | |
| | DIAGONAL | | 28 1/16 | 32 1/4 | 38 3/4 | 43 5/16 | 47 7/8 | 54 1/4 | 58 7/8 | |
| | "A" OFFSET | | 10 3/4 | 12 5/16 | 14 13/16 | 16 9/16 | 18 5/16 | 20 3/4 | 22 1/2 | |
| | "B" STUB HEIGHT | | 25 15/16 | 29 13/16 | 35 3/4 | 40 | 44 3/16 | 50 1/8 | 54 3/8 | |
| 3 1/2 | LEG LENGTH | | | 10 | 11 | 11 | 11 | 12 | 11 15/16 | |
| | UNBENT LENGTH | | | 34 1/8 | 40 7/8 | 45 9/16 | 50 1/4 | 56 15/16 | 61 5/8 | |
| | DIAGONAL | | | 32 1/4 | 38 3/4 | 43 5/16 | 47 7/8 | 54 1/4 | 58 7/8 | |
| | "A" OFFSET | | | 12 5/16 | 14 13/16 | 16 9/16 | 18 5/16 | 20 3/4 | 22 1/2 | |
| | "B" STUB HEIGHT | | | 29 13/16 | 35 3/4 | 40 | 44 3/16 | 50 1/8 | 54 3/8 | |
| 4 | LEG LENGTH | | | | 10 | 11 | 11 | 12 | 11 15/16 | |
| | UNBENT LENGTH | | | | 34 1/8 | 40 7/8 | 45 9/16 | 50 1/4 | 56 15/16 | 61 5/8 |
| | DIAGONAL | | | | 32 1/4 | 38 3/4 | 43 5/16 | 47 7/8 | 54 1/4 | 58 7/8 |
| | "A" OFFSET | | | | 12 5/16 | 14 13/16 | 16 9/16 | 18 5/16 | 20 3/4 | 22 1/2 |
| | "B" STUB HEIGHT | | | | 29 13/16 | 35 3/4 | 40 | 44 3/16 | 50 1/8 | 54 3/8 |
| 5 | LEG LENGTH | | | | | 11 | 11 | 12 | 11 15/16 | 12 |
| | UNBENT LENGTH | | | | | 45 9/16 | 50 1/4 | 56 15/16 | 61 5/8 | 71 1/8 |
| | DIAGONAL | | | | | 43 5/16 | 47 7/8 | 54 1/4 | 58 7/8 | 68 1/8 |
| | "A" OFFSET | | | | | 16 9/16 | 18 5/16 | 20 3/4 | 22 1/2 | 26 1/16 |
| | "B" STUB HEIGHT | | | | | 40 | 44 3/16 | 50 1/8 | 54 3/8 | 62 15/16 |
| 6 | LEG LENGTH | | | | | | 11 | 12 | 11 15/16 | 12 |
| | UNBENT LENGTH | | | | | | 50 1/4 | 56 15/16 | 61 5/8 | 71 1/8 |
| | DIAGONAL | | | | | | 47 7/8 | 54 1/4 | 58 7/8 | 68 1/8 |
| | "A" OFFSET | | | | | | 18 5/16 | 20 3/4 | 22 1/2 | 26 1/16 |
| | "B" STUB HEIGHT | | | | | | 44 3/16 | 50 1/8 | 54 3/8 | 62 15/16 |

GALVANIZED SPECIAL RADIUS ELBOWS



GALVANIZED SPECIAL RADIUS ELBOWS • 90 DEGREES

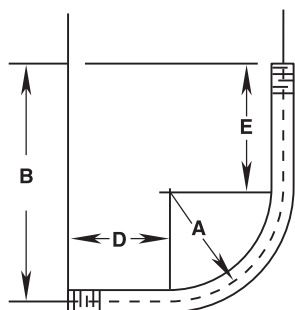
| SIZE | RADIUS | 12 | 15 | 18 | 24 | 30 | 36 | 42 | 48 | 60 |
|-------|-----------------|---------|--------|---------|---------|----------|----------|---------|----------|----------|
| 1 | LEG LENGTH | 8 9/16 | 9 1/4 | 9 7/8 | 10 5/8 | 10 15/16 | 10 3/4 | 12 | 13 5/16 | |
| | UNBENT LENGTH | 36 | 42 | 48 | 59 | 69 | 78 | 90 | 102 | |
| | DIAGONAL | 29 1/8 | 34 1/4 | 39 7/16 | 49 | 57 7/8 | 66 1/16 | 76 3/8 | 86 11/16 | |
| | "A" OFFSET | 20 9/16 | 24 1/4 | 27 7/8 | 34 5/8 | 40 15/16 | 46 3/4 | 54 | 61 5/16 | |
| | "B" STUB HEIGHT | 20 9/16 | 24 1/4 | 27 7/8 | 34 5/8 | 40 15/16 | 46 3/4 | 54 | 61 5/16 | |
| 1 1/4 | LEG LENGTH | 8 9/16 | 9 1/4 | 9 7/8 | 10 5/8 | 10 15/16 | 10 3/4 | 12 | 13 5/16 | |
| | UNBENT LENGTH | 36 | 42 | 48 | 59 | 69 | 78 | 90 | 102 | |
| | DIAGONAL | 29 1/8 | 34 1/4 | 39 7/16 | 49 | 57 7/8 | 66 1/16 | 76 3/8 | 86 11/16 | |
| | "A" OFFSET | 20 9/16 | 24 1/4 | 27 7/8 | 34 5/8 | 40 15/16 | 46 3/4 | 54 | 61 5/16 | |
| | "B" STUB HEIGHT | 20 9/16 | 24 1/4 | 27 7/8 | 34 5/8 | 40 15/16 | 46 3/4 | 54 | 61 5/16 | |
| 1 1/2 | LEG LENGTH | 8 9/16 | 9 1/4 | 9 7/8 | 10 5/8 | 10 15/16 | 10 3/4 | 12 | 13 5/16 | |
| | UNBENT LENGTH | 36 | 42 | 48 | 59 | 69 | 78 | 90 | 102 | |
| | DIAGONAL | 29 1/8 | 34 1/4 | 39 7/16 | 49 | 57 7/8 | 66 1/16 | 76 3/8 | 86 11/16 | |
| | "A" OFFSET | 20 9/16 | 24 1/4 | 27 7/8 | 34 5/8 | 40 15/16 | 46 3/4 | 54 | 61 5/16 | |
| | "B" STUB HEIGHT | 20 9/16 | 24 1/4 | 27 7/8 | 34 5/8 | 40 15/16 | 46 3/4 | 54 | 61 5/16 | |
| 2 | LEG LENGTH | 8 9/16 | 9 1/4 | 9 7/8 | 10 5/8 | 10 15/16 | 10 3/4 | 12 | 13 5/16 | |
| | UNBENT LENGTH | 36 | 42 | 48 | 59 | 69 | 78 | 90 | 102 | |
| | DIAGONAL | 29 1/8 | 34 1/4 | 39 7/16 | 49 | 57 7/8 | 66 1/16 | 76 3/8 | 86 11/16 | |
| | "A" OFFSET | 20 9/16 | 24 1/4 | 27 7/8 | 34 5/8 | 40 15/16 | 46 3/4 | 54 | 61 5/16 | |
| | "B" STUB HEIGHT | 20 9/16 | 24 1/4 | 27 7/8 | 34 5/8 | 40 15/16 | 46 3/4 | 54 | 61 5/16 | |
| 2 1/2 | LEG LENGTH | 8 9/16 | 9 1/4 | 9 7/8 | 10 5/8 | 10 15/16 | 10 3/4 | 12 | 13 5/16 | |
| | UNBENT LENGTH | 36 | 42 | 48 | 59 | 69 | 78 | 90 | 102 | |
| | DIAGONAL | 29 1/8 | 34 1/4 | 39 7/16 | 49 | 57 7/8 | 66 1/16 | 76 3/8 | 86 11/16 | |
| | "A" OFFSET | 20 9/16 | 24 1/4 | 27 7/8 | 34 5/8 | 40 15/16 | 46 3/4 | 54 | 61 5/16 | |
| | "B" STUB HEIGHT | 20 9/16 | 24 1/4 | 27 7/8 | 34 5/8 | 40 15/16 | 46 3/4 | 54 | 61 5/16 | |
| 3 | LEG LENGTH | | 9 1/4 | 9 7/8 | 10 5/8 | 10 15/16 | 10 3/4 | 12 | 13 5/16 | |
| | UNBENT LENGTH | | 42 | 48 | 59 | 69 | 78 | 90 | 102 | |
| | DIAGONAL | | 34 1/4 | 39 7/16 | 49 | 57 7/8 | 66 1/16 | 76 3/8 | 86 11/16 | |
| | "A" OFFSET | | 24 1/4 | 27 7/8 | 34 5/8 | 40 15/16 | 46 3/4 | 54 | 61 5/16 | |
| | "B" STUB HEIGHT | | 24 1/4 | 27 7/8 | 34 5/8 | 40 15/16 | 46 3/4 | 54 | 61 5/16 | |
| 3 1/2 | LEG LENGTH | | | 9 7/8 | 10 5/8 | 10 15/16 | 10 3/4 | 12 | 13 5/16 | |
| | UNBENT LENGTH | | | 48 | 59 | 69 | 78 | 90 | 102 | |
| | DIAGONAL | | | 39 7/16 | 49 | 57 7/8 | 66 1/16 | 76 3/8 | 86 11/16 | |
| | "A" OFFSET | | | 27 7/8 | 34 5/8 | 40 15/16 | 46 3/4 | 54 | 61 5/16 | |
| | "B" STUB HEIGHT | | | 27 7/8 | 34 5/8 | 40 15/16 | 46 3/4 | 54 | 61 5/16 | |
| 4 | LEG LENGTH | | | | 9 7/8 | 10 15/16 | 10 3/4 | 12 | 13 5/16 | |
| | UNBENT LENGTH | | | | 48 | 59 | 69 | 78 | 90 | 102 |
| | DIAGONAL | | | | 39 7/16 | 49 | 57 7/8 | 66 1/16 | 76 3/8 | 86 11/16 |
| | "A" OFFSET | | | | 27 7/8 | 34 5/8 | 40 15/16 | 46 3/4 | 54 | 61 5/16 |
| | "B" STUB HEIGHT | | | | 27 7/8 | 34 5/8 | 40 15/16 | 46 3/4 | 54 | 61 5/16 |
| 5 | LEG LENGTH | | | | | 10 15/16 | 10 3/4 | 12 | 13 5/16 | 11 7/8 |
| | UNBENT LENGTH | | | | | 69 | 78 | 90 | 102 | 118 |
| | DIAGONAL | | | | | 57 7/8 | 66 1/16 | 76 3/8 | 86 11/16 | 101 1/2 |
| | "A" OFFSET | | | | | 40 15/16 | 46 3/4 | 54 | 61 5/16 | 71 7/8 |
| | "B" STUB HEIGHT | | | | | 40 15/16 | 46 3/4 | 54 | 61 5/16 | 71 7/8 |
| 6 | LEG LENGTH | | | | | | 10 3/4 | 12 | 13 5/16 | 11 7/8 |
| | UNBENT LENGTH | | | | | | 78 | 90 | 102 | 118 |
| | DIAGONAL | | | | | | 66 1/16 | 76 3/8 | 86 11/16 | 101 1/2 |
| | "A" OFFSET | | | | | | 46 3/4 | 54 | 61 5/16 | 71 7/8 |
| | "B" STUB HEIGHT | | | | | | 46 3/4 | 54 | 61 5/16 | 71 7/8 |

GALVANIZED YARD LIGHT ELBOWS • METER RISERS • PRICE GUIDE

UL Listed and Labeled

GALVANIZED YARD LIGHT ELBOWS

| CATALOG NUMBER | DESCRIPTION | WEIGHT PER 100 PIECES (lbs) | STANDARD CARTON | LIST PRICE PER 100 PIECES |
|--------------------|---|-----------------------------|-----------------|---------------------------|
| GALELB-YD-1/2X90 | 1/2" HOT DIP GALVANIZED YARD LIGHT ELBOWS | 145 | 25 | 2,601.18 |
| GALELB-YD-3/4X90 | 3/4" HOT DIP GALVANIZED YARD LIGHT ELBOWS | 197 | 25 | 3,018.87 |
| GALELB-YD-1X90 | 1" HOT DIP GALVANIZED YARD LIGHT ELBOWS | 316 | 25 | 4,339.79 |
| GALELB-YD-1-1/4X90 | 1-1/4" HOT DIP GALVANIZED YARD LIGHT ELBOWS | 495 | 10 | 5,399.78 |
| GALELB-YD-1-1/2X90 | 1-1/2" HOT DIP GALVANIZED YARD LIGHT ELBOWS | 615 | BLK | 6,607.36 |
| GALELB-YD-2X90 | 2" HOT DIP GALVANIZED YARD LIGHT ELBOWS | 975 | BLK | 9,671.81 |
| GALELB-YD-2-1/2X90 | 2-1/2" HOT DIP GALVANIZED YARD LIGHT ELBOWS | 1590 | BLK | 14,178.25 |
| GALELB-YD-3X90 | 3" HOT DIP GALVANIZED YARD LIGHT ELBOWS | 2380 | BLK | 22,157.26 |
| GALELB-YD-3-1/2X90 | 3-1/2" HOT DIP GALVANIZED YARD LIGHT ELBOWS | 3250 | BLK | 38,892.05 |
| GALELB-YD-4X90 | 4" HOT DIP GALVANIZED YARD LIGHT ELBOWS | 4030 | BLK | 49,258.74 |



| Nominal Size | 1/2" | 3/4" | 1" | 1 1/4" | 1 1/2" | 2" | 2 1/2" | 3" | 3 1/2" | 4" |
|--------------|--------|---------|---------|---------|---------|---------|---------|---------|---------|-----|
| A | 4" | 4 1/2" | 5 3/4" | 7 1/4" | 8 3/4" | 9 1/2" | 10 1/2" | 13" | 15" | 16" |
| B | 18" | 18" | 18" | 19 1/4" | 20 1/2" | 21 1/2" | 22 1/2" | 25" | 27" | 28" |
| C | 6 5/8" | 6 3/4" | 8 5/8" | 10 1/4" | 11 5/8" | 14 1/2" | 16" | 19 1/4" | 22 3/4" | 24" |
| D | 2 5/8" | 2 1/4" | 2 3/8" | 3 1/4" | 3 3/8" | 5" | 5 1/2" | 6 1/4" | 7 3/4" | 8" |
| E | 14" | 13 1/2" | 12 1/4" | 12 1/4" | 12 1/4" | 12" | 12" | 12" | 12" | 12" |

METER RISERS

| CATALOG NUMBER | DESCRIPTION | LIST PRICE EACH |
|----------------------|---|-----------------|
| GALRISERST-TBE-2 | 2"X7' GALVANIZED RIGID, THREADED BOTH ENDS | 46.44 |
| GALRISERST-TOE-2 | 2"X7' GALVANIZED RIGID, THREADED ONE END | 46.44 |
| GALRISERST-TBE-2-1/2 | 2-1/2"X7' GALVANIZED RIGID, THREADED BOTH ENDS | 72.74 |
| GALRISERST-TOE-2-1/2 | 2-1/2"X7' GALVANIZED RIGID, THREADED ONE ENDS | 72.74 |
| GALRISER45-TBE-2 | 2"X7' 45 DEGREE, GALVANIZED RIGID, THREADED BOTH ENDS | consult factory |
| GALRISER45-TOE-2 | 2"X7' 45 DEGREE, GALVANIZED RIGID, THREADED ONE END | consult factory |
| GALRISERMI-2 | 2"X7" OFFSET, GALVANIZED RIGID, THREADED BOTH ENDS | 61.42 |

Yard light elbows and Meter risers are noncancelable and nonreturnable.



GALVANIZED CONDUIT NIPPLES • PRICE GUIDE

UL Listed and Labeled

GALVANIZED CONDUIT NIPPLES

For list prices on lengths not shown up to 12" take next longer length listed. For nipple lengths longer than 12" — prices upon application.

*** For broken carton nipple quantities add 20% to list price.** Exception: no broken carton penalty on nipples longer than 6".

| CATALOG NUMBER | DESCRIPTION | WEIGHT PER 100 PIECES (lbs) | STANDARD CARTON | LIST PRICE PER 100 PIECES |
|-------------------|-------------------------------------|-----------------------------|-----------------|---------------------------|
| GALNIP1/2XCL | 1/2X1 1/8 CLOSE GALVANIZED NIPPLE | 6 | 25 | 245.44 |
| GALNIP3/4XCL | 3/4X1 3/8 CLOSE GALVANIZED NIPPLE | 9 | 25 | 316.84 |
| GALNIP1XCL | 1X1 1/2 CLOSE GALVANIZED NIPPLE | 16 | 25 | 474.93 |
| GALNIP1-1/4XCL | 1 1/4X1 5/8 CLOSE GALVANIZED NIPPLE | 22 | 25 | 618.11 |
| GALNIP1-1/2XCL | 1 1/2X1 3/4 CLOSE GALVANIZED NIPPLE | 28 | 25 | 746.13 |
| GALNIP2XCL | 2X2 CLOSE GALVANIZED NIPPLE | 44 | 25 | 915.06 |
| GALNIP2-1/2XCL | 2 1/2X2 1/2 CLOSE GALVANIZED NIPPLE | 84 | 10 | 2,537.91 |
| GALNIP3XCL | 3X2 5/8 CLOSE GALVANIZED NIPPLE | 118 | 10 | 2,977.58 |
| GALNIP3-1/2XCL | 3 1/2X2 3/4 CLOSE GALVANIZED NIPPLE | 160 | 10 | 3,668.38 |
| GALNIP4XCL | 4X2 7/8 CLOSE GALVANIZED NIPPLE | 180 | 10 | 4,332.85 |
| GALNIP5XCL | 5X3 CLOSE GALVANIZED NIPPLE | 240 | BLK | 8,242.99 |
| GALNIP6XCL | 6X3 1/8 CLOSE GALVANIZED NIPPLE | 350 | BLK | 10,838.90 |
| GALNIP1/2X1-1/2 | 1/2X1 1/2 GALVANIZED NIPPLE | 8 | 25 | 292.84 |
| GALNIP3/4X1-1/2 | 3/4X1 1/2 GALVANIZED NIPPLE | 10 | 25 | 364.81 |
| GALNIP1/2X2 | 1/2X2 GALVANIZED NIPPLE | 12 | 25 | 332.78 |
| GALNIP3/4X2 | 3/4X2 GALVANIZED NIPPLE | 14 | 25 | 374.31 |
| GALNIP1X2 | 1X2 GALVANIZED NIPPLE | 22 | 25 | 522.94 |
| GALNIP1-1/4X2 | 1 1/4X2 GALVANIZED NIPPLE | 28 | 25 | 664.84 |
| GALNIP1-1/2X2 | 1 1/2X2 GALVANIZED NIPPLE | 34 | 25 | 788.55 |
| GALNIP1/2X2-1/2 | 1/2X2 1/2 GALVANIZED NIPPLE | 15 | 25 | 359.39 |
| GALNIP3/4X2-1/2 | 3/4X2 1/2 GALVANIZED NIPPLE | 19 | 25 | 416.63 |
| GALNIP1X2-1/2 | 1X2 1/2 GALVANIZED NIPPLE | 28 | 25 | 568.35 |
| GALNIP1-1/4X2-1/2 | 1 1/4X2 1/2 GALVANIZED NIPPLE | 37 | 25 | 728.30 |
| GALNIP1-1/2X2-1/2 | 1 1/2X2 1/2 GALVANIZED NIPPLE | 44 | 25 | 889.13 |
| GALNIP2X2-1/2 | 2X2 1/2 GALVANIZED NIPPLE | 59 | 25 | 1,074.07 |
| GALNIP1/2X3 | 1/2X3 GALVANIZED NIPPLE | 19 | 25 | 388.68 |
| GALNIP3/4X3 | 3/4X3 GALVANIZED NIPPLE | 24 | 25 | 454.05 |
| GALNIP1X3 | 1X3 GALVANIZED NIPPLE | 36 | 25 | 633.44 |
| GALNIP1-1/4X3 | 1 1/4X3 GALVANIZED NIPPLE | 47 | 25 | 784.92 |
| GALNIP1-1/2X3 | 1 1/2X3 GALVANIZED NIPPLE | 56 | 25 | 957.24 |
| GALNIP2X3 | 2X3 GALVANIZED NIPPLE | 72 | 25 | 1,242.55 |
| GALNIP2-1/2X3 | 2 1/2X3 GALVANIZED NIPPLE | 100 | 10 | 2,565.22 |
| GALNIP3X3 | 3X3 GALVANIZED NIPPLE | 130 | 10 | 3,153.51 |
| GALNIP1/2X3-1/2 | 1/2X3 1/2 GALVANIZED NIPPLE | 22 | 25 | 425.79 |
| GALNIP3/4X3-1/2 | 3/4X3 1/2 GALVANIZED NIPPLE | 28 | 25 | 473.42 |
| GALNIP1X3-1/2 | 1X3 1/2 GALVANIZED NIPPLE | 43 | 25 | 718.46 |
| GALNIP1-1/4X3-1/2 | 1 1/4X3 1/2 GALVANIZED NIPPLE | 55 | 25 | 892.63 |
| GALNIP1-1/2X3-1/2 | 1 1/2X3 1/2 GALVANIZED NIPPLE | 68 | 25 | 1,099.92 |
| GALNIP2X3-1/2 | 2X3 1/2 GALVANIZED NIPPLE | 88 | 25 | 1,414.90 |
| GALNIP2-1/2X3-1/2 | 2 1/2X3 1/2 GALVANIZED NIPPLE | 120 | 10 | 3,032.27 |
| GALNIP3X3-1/2 | 3X3 1/2 GALVANIZED NIPPLE | 157 | 10 | 3,558.11 |

Continued next page



GALVANIZED CONDUIT NIPPLES • PRICE GUIDE

GALVANIZED CONDUIT NIPPLES

| CATALOG NUMBER | DESCRIPTION | WEIGHT PER 100 PIECES (lbs) | STANDARD CARTON | LIST PRICE PER 100 PIECES |
|----------------|---------------------------|-----------------------------|-----------------|---------------------------|
| GALNIP1/2X4 | 1/2X4 GALVANIZED NIPPLE | 26 | 25 | 461.45 |
| GALNIP3/4X4 | 3/4X4 GALVANIZED NIPPLE | 34 | 25 | 537.83 |
| GALNIP1X4 | 1X4 GALVANIZED NIPPLE | 49 | 25 | 770.47 |
| GALNIP1-1/4X4 | 1 1/4X4 GALVANIZED NIPPLE | 66 | 25 | 944.87 |
| GALNIP1-1/2X4 | 1 1/2X4 GALVANIZED NIPPLE | 80 | 25 | 1,197.27 |
| GALNIP2X4 | 2X4 GALVANIZED NIPPLE | 103 | 25 | 1,561.97 |
| GALNIP2-1/2X4 | 2 1/2X4 GALVANIZED NIPPLE | 150 | 10 | 3,175.76 |
| GALNIP3X4 | 3X4 GALVANIZED NIPPLE | 200 | 10 | 3,857.33 |
| GALNIP3-1/2X4 | 3 1/2X4 GALVANIZED NIPPLE | 240 | 5 | 4,694.95 |
| GALNIP4X4 | 4X4 GALVANIZED NIPPLE | 285 | 6 | 5,271.04 |
| GALNIP1/2X5 | 1/2X5 GALVANIZED NIPPLE | 33 | 25 | 516.26 |
| GALNIP3/4X5 | 3/4X5 GALVANIZED NIPPLE | 43 | 25 | 618.24 |
| GALNIP1X5 | 1X5 GALVANIZED NIPPLE | 64 | 25 | 873.47 |
| GALNIP1-1/4X5 | 1 1/4X5 GALVANIZED NIPPLE | 84 | 25 | 1,094.61 |
| GALNIP1-1/2X5 | 1 1/2X5 GALVANIZED NIPPLE | 103 | 25 | 1,343.19 |
| GALNIP2X5 | 2X5 GALVANIZED NIPPLE | 132 | 25 | 1,822.69 |
| GALNIP2-1/2X5 | 2 1/2X5 GALVANIZED NIPPLE | 197 | 10 | 3,753.59 |
| GALNIP3X5 | 3X5 GALVANIZED NIPPLE | 260 | 10 | 4,483.91 |
| GALNIP3-1/2X5 | 3 1/2X5 GALVANIZED NIPPLE | 320 | 5 | 5,317.69 |
| GALNIP4X5 | 4X5 GALVANIZED NIPPLE | 380 | 6 | 6,180.51 |
| GALNIP5X5 | 5X5 GALVANIZED NIPPLE | 480 | BLK | 11,996.96 |
| GALNIP6X5 | 6X5 GALVANIZED NIPPLE | 660 | BLK | 14,951.47 |
| GALNIP1/2X6 | 1/2X6 GALVANIZED NIPPLE | 40 | 25 | 616.51 |
| GALNIP3/4X6 | 3/4X6 GALVANIZED NIPPLE | 52 | 25 | 720.78 |
| GALNIP1X6 | 1X6 GALVANIZED NIPPLE | 78 | 25 | 954.88 |
| GALNIP1-1/4X6 | 1 1/4X6 GALVANIZED NIPPLE | 100 | 25 | 1,231.66 |
| GALNIP1-1/2X6 | 1 1/2X6 GALVANIZED NIPPLE | 122 | 25 | 1,651.26 |
| GALNIP2X6 | 2X6 GALVANIZED NIPPLE | 160 | 25 | 2,083.82 |
| GALNIP2-1/2X6 | 2 1/2X6 GALVANIZED NIPPLE | 240 | 10 | 4,260.07 |
| GALNIP3X6 | 3X6 GALVANIZED NIPPLE | 300 | 10 | 5,120.42 |
| GALNIP3-1/2X6 | 3 1/2X6 GALVANIZED NIPPLE | 373 | 5 | 6,077.61 |
| GALNIP4X6 | 4X6 GALVANIZED NIPPLE | 440 | 5 | 6,902.54 |
| GALNIP5X6 | 5X6 GALVANIZED NIPPLE | 600 | BLK | 13,054.05 |
| GALNIP6X6 | 6X6 GALVANIZED NIPPLE | 820 | BLK | 16,498.91 |
| GALNIP1/2X8 | 1/2X8 GALVANIZED NIPPLE | 54 | 25 | 1,072.95 |
| GALNIP3/4X8 | 3/4X8 GALVANIZED NIPPLE | 73 | 25 | 1,189.57 |
| GALNIP1X8 | 1X8 GALVANIZED NIPPLE | 109 | 25 | 1,505.78 |
| GALNIP1-1/4X8 | 1 1/4X8 GALVANIZED NIPPLE | 136 | 10 | 2,016.89 |
| GALNIP1-1/2X8 | 1 1/2X8 GALVANIZED NIPPLE | 170 | 10 | 2,525.76 |
| GALNIP2X8 | 2X8 GALVANIZED NIPPLE | 220 | 10 | 3,006.21 |
| GALNIP2-1/2X8 | 2 1/2X8 GALVANIZED NIPPLE | 329 | 5 | 5,603.41 |
| GALNIP3X8 | 3X8 GALVANIZED NIPPLE | 411 | 5 | 6,663.05 |
| GALNIP3-1/2X8 | 3 1/2X8 GALVANIZED NIPPLE | 510 | 5 | 7,615.39 |
| GALNIP4X8 | 4X8 GALVANIZED NIPPLE | 600 | 3 | 8,601.91 |
| GALNIP5X8 | 5X8 GALVANIZED NIPPLE | 825 | BLK | 15,505.32 |
| GALNIP6X8 | 6X8 GALVANIZED NIPPLE | 1125 | BLK | 19,251.28 |

Continued next page



GALVANIZED CONDUIT NIPPLES • PRICE GUIDE

UL Listed and Labeled

GALVANIZED CONDUIT NIPPLES

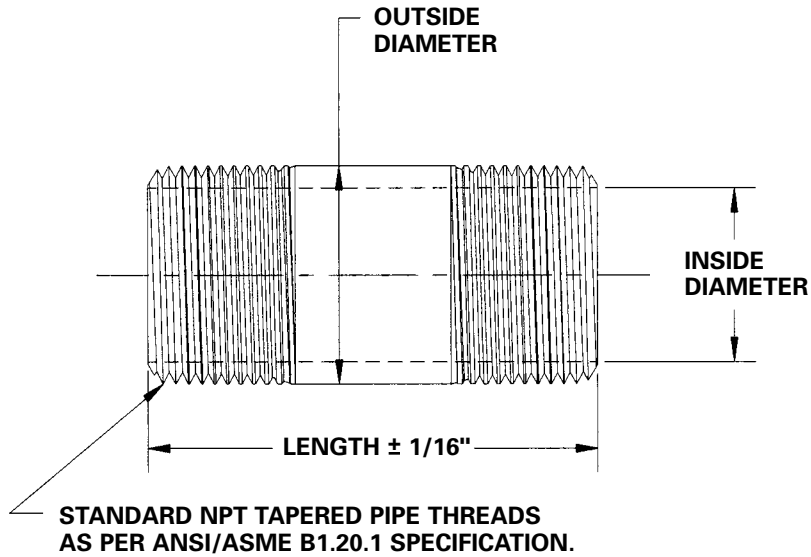
| CATALOG NUMBER | DESCRIPTION | WEIGHT PER 100 PIECES (lbs) | STANDARD CARTON | LIST PRICE PER 100 PIECES |
|----------------|----------------------------|-----------------------------|-----------------|---------------------------|
| GALNIP1/2X10 | 1/2X10 GALVANIZED NIPPLE | 68 | 25 | 1,229.91 |
| GALNIP3/4X10 | 3/4X10 GALVANIZED NIPPLE | 89 | 25 | 1,428.38 |
| GALNIP1X10 | 1X10 GALVANIZED NIPPLE | 138 | 25 | 1,944.02 |
| GALNIP1-1/4X10 | 1 1/4X10 GALVANIZED NIPPLE | 176 | 10 | 2,537.61 |
| GALNIP1-1/2X10 | 1 1/2X10 GALVANIZED NIPPLE | 216 | 10 | 3,038.20 |
| GALNIP2X10 | 2X10 GALVANIZED NIPPLE | 285 | 10 | 3,600.24 |
| GALNIP2-1/2X10 | 2 1/2X10 GALVANIZED NIPPLE | 422 | 5 | 6,505.94 |
| GALNIP3X10 | 3X10 GALVANIZED NIPPLE | 528 | 5 | 7,874.45 |
| GALNIP3-1/2X10 | 3 1/2X10 GALVANIZED NIPPLE | 655 | 4 | 9,211.83 |
| GALNIP4X10 | 4X10 GALVANIZED NIPPLE | 775 | 4 | 10,624.28 |
| GALNIP5X10 | 5X10 GALVANIZED NIPPLE | 1055 | BLK | 18,178.30 |
| GALNIP6X10 | 6X10 GALVANIZED NIPPLE | 1440 | BLK | 24,059.97 |
| GALNIP1/2X12 | 1/2X12 GALVANIZED NIPPLE | 82 | 25 | 1,417.62 |
| GALNIP3/4X12 | 3/4X12 GALVANIZED NIPPLE | 109 | 25 | 1,605.01 |
| GALNIP1X12 | 1X12 GALVANIZED NIPPLE | 166 | 25 | 2,207.33 |
| GALNIP1-1/4X12 | 1 1/4X12 GALVANIZED NIPPLE | 216 | 10 | 2,954.59 |
| GALNIP1-1/2X12 | 1 1/2X12 GALVANIZED NIPPLE | 260 | 10 | 3,296.03 |
| GALNIP2X12 | 2X12 GALVANIZED NIPPLE | 335 | 10 | 4,099.42 |
| GALNIP2-1/2X12 | 2 1/2X12 GALVANIZED NIPPLE | 505 | 5 | 7,567.81 |
| GALNIP3X12 | 3X12 GALVANIZED NIPPLE | 630 | 5 | 9,561.21 |
| GALNIP3-1/2X12 | 3 1/2X12 GALVANIZED NIPPLE | 785 | 4 | 10,766.57 |
| GALNIP4X12 | 4X12 GALVANIZED NIPPLE | 925 | 4 | 12,648.37 |
| GALNIP5X12 | 5X12 GALVANIZED NIPPLE | 1260 | BLK | 22,019.91 |
| GALNIP6X12 | 6X12 GALVANIZED NIPPLE | 1720 | BLK | 26,732.81 |

APPROVED CONDUCTIVE THREAD COMPOUND

| CATALOG NUMBER | DESCRIPTION | APP WEIGHT (lbs) | STANDARD CARTON | LIST PRICE PER EACH |
|-----------------|--|------------------|-----------------|---------------------|
| THREAD-COMPOUND | APPROVED CONDUCTIVE COMPOUND-BRUSHTOP PINT | 1 | 1 | 67.34 |

RIGID CONDUIT NIPPLES

RIGID CONDUIT NIPPLES • TYPE - RIGID STEEL AND ALUMINUM



Material - Rigid Steel Conduit - (UL6)
 Aluminum Conduit - (UL6A)

Applicable Specification:
 Underwriters Laboratories - UL 6 for Rigid
 UL 6A for Aluminum

| Pipe Size (in.) | Pipe O.D. (in.) | Length Close (in.) | Pipe Nipple Lengths | | | | | | | | | | | | | | | |
|-----------------|-----------------|--------------------|---------------------|---|-------|---|-------|---|-------|---|-------|---|---|---|---|----|----|----|
| | | | 1 1/2 | 2 | 2 1/2 | 3 | 3 1/2 | 4 | 4 1/2 | 5 | 5 1/2 | 6 | 7 | 8 | 9 | 10 | 11 | 12 |
| 1/2 | 0.84 | 1 1/8 | 1 1/2 | 2 | 2 1/2 | 3 | 3 1/2 | 4 | 4 1/2 | 5 | 5 1/2 | 6 | 7 | 8 | 9 | 10 | 11 | 12 |
| 3/4 | 1.05 | 1 3/8 | 1 1/2 | 2 | 2 1/2 | 3 | 3 1/2 | 4 | 4 1/2 | 5 | 5 1/2 | 6 | 7 | 8 | 9 | 10 | 11 | 12 |
| 1 | 1.315 | 1 1/2 | | 2 | 2 1/2 | 3 | 3 1/2 | 4 | 4 1/2 | 5 | 5 1/2 | 6 | 7 | 8 | 9 | 10 | 11 | 12 |
| 1 1/4 | 1.66 | 1 5/8 | | 2 | 2 1/2 | 3 | 3 1/2 | 4 | 4 1/2 | 5 | 5 1/2 | 6 | 7 | 8 | 9 | 10 | 11 | 12 |
| 1 1/2 | 1.9 | 1 3/4 | | 2 | 2 1/2 | 3 | 3 1/2 | 4 | 4 1/2 | 5 | 5 1/2 | 6 | 7 | 8 | 9 | 10 | 11 | 12 |
| 2 | 2.375 | 2 | | | 2 1/2 | 3 | 3 1/2 | 4 | 4 1/2 | 5 | 5 1/2 | 6 | 7 | 8 | 9 | 10 | 11 | 12 |
| 2 1/2 | 2.875 | 2 1/2 | | | | 3 | 3 1/2 | 4 | 4 1/2 | 5 | 5 1/2 | 6 | 7 | 8 | 9 | 10 | 11 | 12 |
| 3 | 3.5 | 2 5/8 | | | | 3 | 3 1/2 | 4 | 4 1/2 | 5 | 5 1/2 | 6 | 7 | 8 | 9 | 10 | 11 | 12 |
| 3 1/2 | 4 | 2 3/4 | | | | | | 4 | 4 1/2 | 5 | 5 1/2 | 6 | 7 | 8 | 9 | 10 | 11 | 12 |
| 4 | 4.5 | 2 7/8 | | | | | | 4 | 4 1/2 | 5 | 5 1/2 | 6 | 7 | 8 | 9 | 10 | 11 | 12 |
| 5 | 5.563 | 3 | | | | | | | 4 1/2 | 5 | 5 1/2 | 6 | 7 | 8 | 9 | 10 | 11 | 12 |
| 6 | 6.625 | 3 1/8 | | | | | | | 4 1/2 | 5 | 5 1/2 | 6 | 7 | 8 | 9 | 10 | 11 | 12 |



EMT STANDARD AND SPECIAL RADIUS ELBOWS • PRICE GUIDE

EMT STANDARD RADIUS ELBOWS

| CATALOG NUMBER | DESCRIPTION | WEIGHT PER 100 PIECES (lbs) | STANDARD CARTON | LIST PRICE PER 100 PIECES |
|----------------|--------------------|-----------------------------|-----------------|---------------------------|
| EMTELB1/2X90 | 1/2X90 EMT ELBOW | 28 | 50 | 757.34 |
| EMTELB3/4X90 | 3/4X90 EMT ELBOW | 46 | 50 | 831.51 |
| EMTELB1X90 | 1X 90 EMT ELBOW | 86 | 25 | 1,267.50 |
| EMTELB1-1/4X90 | 1 1/4X90 EMT ELBOW | 148 | 25 | 1,571.08 |
| EMTELB1-1/2X90 | 1 1/2X90 EMT ELBOW | 198 | 15 | 1,827.15 |
| EMTELB2X90 | 2X90 EMT ELBOW | 286 | 10 | 2,683.84 |
| EMTELB2-1/2X90 | 2 1/2X90 EMT ELBOW | 536 | BLK | 6,534.50 |
| EMTELB3X90 | 3X90 EMT ELBOW | 720 | BLK | 9,742.77 |
| EMTELB3-1/2X90 | 3 1/2X90 EMT ELBOW | 1080 | BLK | 13,058.52 |
| EMTELB4X90 | 4X90 EMT ELBOW | 1333 | BLK | 15,363.03 |
| EMTELB1/2X45 | 1/2X45 EMT ELBOW | 24 | 50 | 757.34 |
| EMTELB3/4X45 | 3/4X45 EMT ELBOW | 39 | 50 | 831.51 |
| EMTELB1X45 | 1X 45 EMT ELBOW | 73 | 25 | 1,267.50 |
| EMTELB1-1/4X45 | 1 1/4X45 EMT ELBOW | 126 | 25 | 1,571.08 |
| EMTELB1-1/2X45 | 1 1/2X45 EMT ELBOW | 168 | 15 | 1,827.15 |
| EMTELB2X45 | 2X45 EMT ELBOW | 243 | 10 | 2,683.84 |
| EMTELB2-1/2X45 | 2 1/2X45 EMT ELBOW | 456 | BLK | 6,534.50 |
| EMTELB3X45 | 3X45 EMT ELBOW | 612 | BLK | 9,742.77 |
| EMTELB3-1/2X45 | 3 1/2X45 EMT ELBOW | 918 | BLK | 13,058.52 |
| EMTELB4X45 | 4X45 EMT ELBOW | 1133 | BLK | 15,363.03 |

NOTE: Weights shown are approximate for 90° elbows. To arrive at weights for 45° elbows deduct 15%.
 Sizes 2-1/2" and larger shipped in palletized cartons or bulk, with ECN-Korns identifying label.

EMT SPECIAL RADIUS ELBOWS

All E.M.T. special radius elbows are noncancelable and nonreturnable.

| CATALOG NUMBER | DESCRIPTION | APP WEIGHT (lbs) | STANDARD CARTON | LIST PRICE EACH |
|-------------------|-----------------------|------------------|-----------------|-----------------|
| EMTELB1-1/2X90X18 | 1 1/2X90X18 EMT ELBOW | 4 | BLK | 149.02 |
| EMTELB2X90X18 | 2X90X18 EMT ELBOW | 6 | BLK | 175.72 |
| EMTELB2-1/2X90X18 | 2 1/2X90X18 EMT ELBOW | 9 | BLK | 321.95 |
| EMTELB3-1/2X90X18 | 3 1/2X90X18 EMT ELBOW | 14 | BLK | 605.16 |
| EMTELB1-1/2X45X18 | 1 1/2X45X18 EMT ELBOW | 3 | BLK | 149.02 |
| EMTELB2X45X18 | 2X45X18 EMT ELBOW | 5 | BLK | 175.72 |
| EMTELB2-1/2X45X18 | 2 1/2X45X18 EMT ELBOW | 5 | BLK | 321.95 |
| EMTELB3-1/2X45X18 | 3 1/2X45X18 EMT ELBOW | 10 | BLK | 605.16 |
| EMTELB1-1/2X60X18 | 1 1/2X60X18 EMT ELBOW | 4 | BLK | 149.02 |
| EMTELB2X60X18 | 2X60X18 EMT ELBOW | 5 | BLK | 175.72 |
| EMTELB2-1/2X60X18 | 2 1/2X60X18 EMT ELBOW | 9 | BLK | 321.95 |
| EMTELB3-1/2X60X18 | 3 1/2X60X18 EMT ELBOW | 14 | BLK | 605.16 |
| EMTELB1-1/2X30X18 | 1 1/2X30X18 EMT ELBOW | 3 | BLK | 149.02 |
| EMTELB2X30X18 | 2X30X18 EMT ELBOW | 5 | BLK | 175.72 |
| EMTELB2-1/2X30X18 | 2 1/2X30X18 EMT ELBOW | 5 | BLK | 321.95 |
| EMTELB3-1/2X30X18 | 3 1/2X30X18 EMT ELBOW | 10 | BLK | 605.16 |

Continued next page



EMT SPECIAL RADIUS ELBOWS • PRICE GUIDE

EMT SPECIAL RADIUS ELBOWS

| CATALOG NUMBER | DESCRIPTION | APP WEIGHT (lbs) | STANDARD CARTON | LIST PRICE EACH |
|-------------------|-----------------------|------------------|-----------------|-----------------|
| EMTELB1-1/4X90X24 | 1 1/4X90X24 EMT ELBOW | 5 | BLK | 148.42 |
| EMTELB1-1/2X90X24 | 1 1/2X90X24 EMT ELBOW | 5 | BLK | 195.33 |
| EMTELB2X90X24 | 2X90X24 EMT ELBOW | 7 | BLK | 215.42 |
| EMTELB2-1/2X90X24 | 2 1/2X90X24 EMT ELBOW | 11 | BLK | 318.76 |
| EMTELB3X90X24 | 3X90X24 EMT ELBOW | 13 | BLK | 380.17 |
| EMTELB3-1/2X90X24 | 3 1/2X90X24 EMT ELBOW | 17 | BLK | 605.16 |
| EMTELB4X90X24 | 4X90X24 EMT ELBOW | 17 | BLK | 599.17 |
| EMTELB1-1/4X45X24 | 1 1/4X45X24 EMT ELBOW | 4 | BLK | 148.42 |
| EMTELB1-1/2X45X24 | 1 1/2X45X24 EMT ELBOW | 4 | BLK | 195.33 |
| EMTELB2X45X24 | 2X45X24 EMT ELBOW | 6 | BLK | 215.42 |
| EMTELB2-1/2X45X24 | 2 1/2X45X24 EMT ELBOW | 9 | BLK | 318.76 |
| EMTELB3X45X24 | 3X45X24 EMT ELBOW | 11 | BLK | 380.17 |
| EMTELB3-1/2X45X24 | 3 1/2X45X24 EMT ELBOW | 10 | BLK | 605.16 |
| EMTELB4X45X24 | 4X45X24 EMT ELBOW | 14 | BLK | 599.17 |
| EMTELB1-1/4X60X24 | 1 1/4X60X24 EMT ELBOW | 5 | BLK | 148.42 |
| EMTELB1-1/2X60X24 | 1 1/2X60X24 EMT ELBOW | 5 | BLK | 195.33 |
| EMTELB2X60X24 | 2X60X24 EMT ELBOW | 6 | BLK | 215.42 |
| EMTELB2-1/2X60X24 | 2 1/2X60X24 EMT ELBOW | 10 | BLK | 318.76 |
| EMTELB3X60X24 | 3X60X24 EMT ELBOW | 12 | BLK | 380.17 |
| EMTELB3-1/2X60X24 | 3 1/2X60X24 EMT ELBOW | 17 | BLK | 605.16 |
| EMTELB4X60X24 | 4X60X24 EMT ELBOW | 15 | BLK | 599.17 |
| EMTELB1-1/4X30X24 | 1 1/4X30X24 EMT ELBOW | 4 | BLK | 148.42 |
| EMTELB1-1/2X30X24 | 1 1/2X30X24 EMT ELBOW | 4 | BLK | 195.33 |
| EMTELB2X30X24 | 2X30X24 EMT ELBOW | 6 | BLK | 215.42 |
| EMTELB2-1/2X30X24 | 2 1/2X30X24 EMT ELBOW | 9 | BLK | 318.76 |
| EMTELB3X30X24 | 3X30X24 EMT ELBOW | 10 | BLK | 380.17 |
| EMTELB3-1/2X30X24 | 3 1/2X30X24 EMT ELBOW | 10 | BLK | 605.16 |
| EMTELB4X30X24 | 4X30X24 EMT ELBOW | 14 | BLK | 599.17 |
| EMTELB2X90X30 | 2X90X30 EMT ELBOW | 8 | BLK | 251.61 |
| EMTELB3X90X30 | 3X90X30 EMT ELBOW | 14 | BLK | 447.16 |
| EMTELB3-1/2X90X30 | 3 1/2X90X30 EMT ELBOW | 19 | BLK | 696.64 |
| EMTELB4X90X30 | 4X90X30 EMT ELBOW | 21 | BLK | 726.94 |
| EMTELB2X45X30 | 2X45X30 EMT ELBOW | 7 | BLK | 251.61 |
| EMTELB3X45X30 | 3X45X30 EMT ELBOW | 12 | BLK | 447.16 |
| EMTELB3-1/2X45X30 | 3 1/2X45X30 EMT ELBOW | 16 | BLK | 696.64 |
| EMTELB4X45X30 | 4X45X30 EMT ELBOW | 18 | BLK | 726.94 |
| EMTELB2X60X30 | 2X60X30 EMT ELBOW | 7 | BLK | 251.61 |
| EMTELB3X60X30 | 3X60X30 EMT ELBOW | 13 | BLK | 447.16 |
| EMTELB3-1/2X60X30 | 3 1/2X60X30 EMT ELBOW | 17 | BLK | 696.64 |
| EMTELB4X60X30 | 4X60X30 EMT ELBOW | 19 | BLK | 726.94 |
| EMTELB2X30X30 | 2X30X30 EMT ELBOW | 6 | BLK | 251.61 |
| EMTELB3X30X30 | 3X30X30 EMT ELBOW | 11 | BLK | 447.16 |
| EMTELB3-1/2X30X30 | 3 1/2X30X30 EMT ELBOW | 15 | BLK | 696.64 |
| EMTELB4X30X30 | 4X30X30 EMT ELBOW | 17 | BLK | 726.94 |

Continued next page

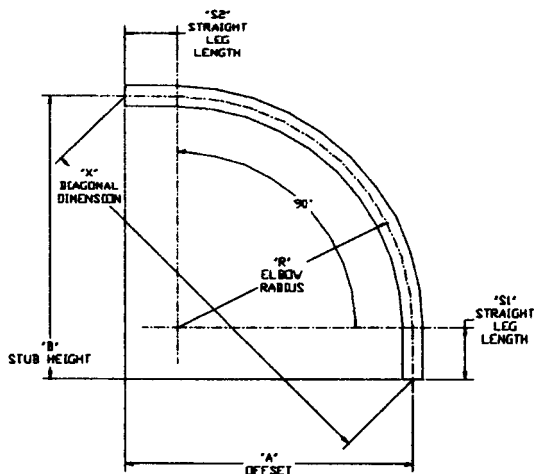


EMT SPECIAL RADIUS ELBOWS • PRICE GUIDE

EMT SPECIAL RADIUS ELBOWS

| CATALOG NUMBER | DESCRIPTION | APP WEIGHT (lbs) | STANDARD CARTON | LIST PRICE EACH |
|-------------------|-----------------------|------------------|-----------------|-----------------|
| EMTELB1-1/2X90X36 | 1 1/2X90X36 EMT ELBOW | 7 | BLK | 243.94 |
| EMTELB2X90X36 | 2X90X36 EMT ELBOW | 9 | BLK | 349.46 |
| EMTELB2-1/2X90X36 | 2 1/2X90X36 EMT ELBOW | 13 | BLK | 398.58 |
| EMTELB3X90X36 | 3X90X36 EMT ELBOW | 16 | BLK | 524.80 |
| EMTELB3-1/2X90X36 | 3 1/2X90X36 EMT ELBOW | 22 | BLK | 728.00 |
| EMTELB4X90X36 | 4X90X36 EMT ELBOW | 24 | BLK | 759.67 |
| EMTELB1-1/2X45X36 | 1 1/2X45X36 EMT ELBOW | 6 | BLK | 243.94 |
| EMTELB2X45X36 | 2X45X36 EMT ELBOW | 8 | BLK | 349.46 |
| EMTELB2-1/2X45X36 | 2 1/2X45X36 EMT ELBOW | 11 | BLK | 398.58 |
| EMTELB3X45X36 | 3X45X36 EMT ELBOW | 14 | BLK | 524.80 |
| EMTELB3-1/2X45X36 | 3 1/2X45X36 EMT ELBOW | 19 | BLK | 728.00 |
| EMTELB4X45X36 | 4X45X36 EMT ELBOW | 20 | BLK | 759.67 |
| EMTELB1-1/2X60X36 | 1 1/2X60X36 EMT ELBOW | 6 | BLK | 243.94 |
| EMTELB2X60X36 | 2X60X36 EMT ELBOW | 8 | BLK | 349.46 |
| EMTELB2-1/2X60X36 | 2 1/2X60X36 EMT ELBOW | 12 | BLK | 398.58 |
| EMTELB3X60X36 | 3X60X36 EMT ELBOW | 14 | BLK | 524.80 |
| EMTELB3-1/2X60X36 | 3 1/2X60X36 EMT ELBOW | 20 | BLK | 728.00 |
| EMTELB4X60X36 | 4X60X36 EMT ELBOW | 22 | BLK | 759.67 |
| EMTELB1-1/2X30X36 | 1 1/2X30X36 EMT ELBOW | 6 | BLK | 243.94 |
| EMTELB2X30X36 | 2X30X36 EMT ELBOW | 7 | BLK | 349.46 |
| EMTELB2-1/2X30X36 | 2 1/2X30X36 EMT ELBOW | 10 | BLK | 398.58 |
| EMTELB3X30X36 | 3X30X36 EMT ELBOW | 13 | BLK | 524.80 |
| EMTELB3-1/2X30X36 | 3 1/2X30X36 EMT ELBOW | 18 | BLK | 728.00 |
| EMTELB4X30X36 | 4X30X36 EMT ELBOW | 19 | BLK | 759.67 |
| EMTELB4X90X42 | 4X90X42 EMT ELBOW | 28 | BLK | 893.57 |
| EMTELB4X45X42 | 4X45X42 EMT ELBOW | 24 | BLK | 893.57 |
| EMTELB4X60X42 | 4X60X42 EMT ELBOW | 25 | BLK | 893.57 |
| EMTELB4X30X42 | 4X30X42 EMT ELBOW | 22 | BLK | 893.57 |
| EMTELB1-1/2X90X48 | 1 1/2X90X48 EMT ELBOW | 9 | BLK | 301.63 |
| EMTELB2X90X48 | 2X90X48 EMT ELBOW | 12 | BLK | 363.56 |
| EMTELB3X90X48 | 3X90X48 EMT ELBOW | 21 | BLK | 576.08 |
| EMTELB3-1/2X90X48 | 3 1/2X90X48 EMT ELBOW | 28 | BLK | 916.89 |
| EMTELB4X90X48 | 4X90X48 EMT ELBOW | 31 | BLK | 956.78 |
| EMTELB1-1/2X45X48 | 1 1/2X45X48 EMT ELBOW | 8 | BLK | 301.63 |
| EMTELB2X45X48 | 2X45X48 EMT ELBOW | 10 | BLK | 363.56 |
| EMTELB3X45X48 | 3X45X48 EMT ELBOW | 18 | BLK | 576.08 |
| EMTELB3-1/2X45X48 | 3 1/2X45X48 EMT ELBOW | 24 | BLK | 916.89 |
| EMTELB4X45X48 | 4X45X48 EMT ELBOW | 26 | BLK | 956.78 |
| EMTELB1-1/2X60X48 | 1 1/2X60X48 EMT ELBOW | 8 | BLK | 301.63 |
| EMTELB2X60X48 | 2X60X48 EMT ELBOW | 11 | BLK | 363.56 |
| EMTELB3X60X48 | 3X60X48 EMT ELBOW | 19 | BLK | 576.08 |
| EMTELB3-1/2X60X48 | 3 1/2X60X48 EMT ELBOW | 25 | BLK | 916.89 |
| EMTELB4X60X48 | 4X60X48 EMT ELBOW | 28 | BLK | 956.78 |
| EMTELB1-1/2X30X48 | 1 1/2X30X48 EMT ELBOW | 7 | BLK | 301.63 |
| EMTELB2X30X48 | 2X30X48 EMT ELBOW | 10 | BLK | 363.56 |
| EMTELB3X30X48 | 3X30X48 EMT ELBOW | 17 | BLK | 576.08 |
| EMTELB3-1/2X30X48 | 3 1/2X30X48 EMT ELBOW | 22 | BLK | 916.89 |
| EMTELB4X30X48 | 4X30X48 EMT ELBOW | 25 | BLK | 956.78 |

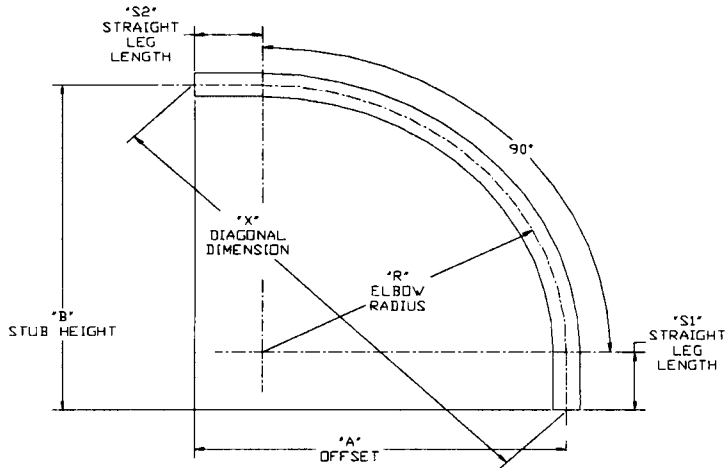
EMT STANDARD RADIUS ELBOWS



STANDARD RADIUS ELBOWS • EMT

| Degree | Radius (in.) | 4 | 4 1/2 | 5 3/4 | 7 1/4 | 8 1/4 | 9 1/2 | 10 1/2 | 13 | 15 | 16 |
|--------|-----------------|---------|---------|---------|--------|----------|----------|----------|----------|----------|----------|
| | Size | 1/2 | 3/4 | 1 | 1 1/4 | 1 1/2 | 2 | 2 1/2 | 3 | 3 1/2 | 4 |
| 11 1/4 | Leg Length | 2 | 2 | 2 | 2 3/4 | 3 | 4 1/4 | 5 1/4 | 5 7/8 | 6 3/4 | 7 |
| | Unbent Length | 4 13/16 | 4 7/8 | 5 1/8 | 6 7/8 | 8 1/4 | 10 3/8 | 12 9/16 | 14 3/16 | 16 3/8 | 17 |
| | Diagonal | 4 3/4 | 4 7/8 | 5 1/8 | 6 7/8 | 8 1/4 | 10 3/8 | 12 1/2 | 14 1/4 | 16 1/4 | 16 15/16 |
| | "A" Offset | 1/2 | 1/2 | 1/2 | 11/16 | 3/4 | 1 | 1 1/4 | 1 3/8 | 1 1/2 | 1 3/4 |
| | "B" Stub Height | 4 3/4 | 4 13/16 | 5 | 6 7/8 | 8 3/16 | 10 1/2 | 12 1/2 | 14 1/16 | 16 1/4 | 17 |
| 15 | Leg Length | 2 | 2 | 2 | 2 3/4 | 3 1/4 | 4 5/16 | 5 1/4 | 5 7/8 | 6 3/4 | 7 |
| | Unbent Length | 5 1/16 | 5 3/16 | 5 1/2 | 7 1/4 | 8 5/8 | 11 1/16 | 13 11/32 | 15 1/8 | 17 15/32 | 18 5/32 |
| | Diagonal | 5 | 5 1/8 | 5 | 7 1/4 | 8 5/8 | 11 | 13 1/4 | 15 | 17 5/16 | 18 |
| | "A" Offset | 5/8 | 11/16 | 11/16 | 1 | 1 1/8 | 1 1/2 | 1 3/4 | 2 | 2 1/4 | 2 3/8 |
| | "B" Stub Height | 5 | 5 1/8 | 5 3/8 | 7 1/8 | 8 1/2 | 10 7/8 | 13 1/8 | 15 | 17 1/4 | 17 7/8 |
| 22 1/2 | Leg Length | 2 | 2 1/16 | 2 | 2 3/4 | 3 | 4 1/4 | 5 1/4 | 5 7/8 | 6 3/4 | 7 |
| | Unbent Length | 5 21/32 | 5 27/32 | 6 11/32 | 8 5/16 | 9 27/32 | 12 5/16 | 14 23/32 | 16 13/16 | 19 13/32 | 20 1/4 |
| | Diagonal | 6 | 5 3/4 | 6 1/4 | 8 1/4 | 9 3/4 | 12 1/8 | 14 1/2 | 16 1/2 | 19 1/8 | 19 15/16 |
| | "A" Offset | 1 1/8 | 1 | 1 | 1 5/8 | 2 | 2 3/8 | 2 3/4 | 3 1/4 | 3 1/2 | 4 |
| | "B" Stub Height | 5 7/16 | 5 5/8 | 6 | 8 | 9 1/2 | 11 7/8 | 14 1/4 | 16 1/4 | 18 1/2 | 19 9/16 |
| 30 | Leg Length | 2 | 2 | 2 | 2 3/4 | 3 5/16 | 4 1/4 | 5 1/4 | 5 7/8 | 6 3/4 | 7 |
| | Unbent Length | 6 3/16 | 6 7/16 | 7 1/8 | 9 1/4 | 10 29/32 | 13 9/16 | 16 3/32 | 18 1/2 | 21 3/8 | 22 11/32 |
| | Diagonal | 6 | 6 1/4 | 7 | 9 | 10 5/8 | 13 1/4 | 15 5/8 | 18 | 20 13/16 | 21 3/4 |
| | "A" Offset | 1 1/2 | 1 5/8 | 1 3/4 | 2 3/8 | 2 3/4 | 3 1/2 | 4 | 4 11/16 | 5 3/8 | 5 3/4 |
| | "B" Stub Height | 5 7/8 | 6 | 7 | 8 3/4 | 10 1/4 | 12 3/4 | 15 1/8 | 17 7/16 | 20 1/8 | 21 |
| 45 | Leg Length | 2 1/16 | 2 | 2 | 2 5/8 | 3 1/2 | 4 1/4 | 5 1/8 | 5 7/8 | 6 3/4 | 7 1/4 |
| | Unbent Length | 7 1/4 | 7 1/2 | 8 1/2 | 11 | 13 | 16 | 18 1/2 | 22 | 25 1/4 | 27 |
| | Diagonal | 6 7/8 | 7 1/8 | 8 1/8 | 10 1/2 | 12 5/16 | 15 1/8 | 17 1/2 | 20 7/8 | 24 | 25 5/8 |
| | "A" Offset | 2 1/2 | 2 3/4 | 3 | 4 | 4 3/4 | 5 3/4 | 6 3/4 | 8 | 9 1/4 | 9 13/16 |
| | "B" Stub Height | 6 1/2 | 6 5/8 | 7 1/2 | 9 1/2 | 11 3/8 | 14 | 16 3/16 | 19 1/4 | 22 1/8 | 23 5/8 |
| 60 | Leg Length | 2 | 2 | 2 | 2 3/4 | 3 | 4 1/4 | 5 1/4 | 5 7/8 | 6 3/4 | 7 |
| | Unbent Length | 8 3/16 | 8 3/4 | 10 | 13 | 15 1/8 | 18 7/16 | 21 19/32 | 25 5/16 | 29 7/32 | 30 23/32 |
| | Diagonal | 7 1/2 | 8 | 9 | 12 | 13 7/8 | 16 7/8 | 19 5/8 | 23 1/4 | 26 3/4 | 28 |
| | "A" Offset | 3 3/4 | 4 | 4 1/2 | 6 | 7 | 8 7/16 | 9 13/16 | 11 5/8 | 13 3/8 | 14 |
| | "B" Stub Height | 6 7/16 | 6 15/16 | 8 | 10 3/8 | 12 | 14 5/8 | 17 1/16 | 20 | 23 3/8 | 24 5/16 |
| 90 | Leg Length | 2 | 2 | 2 | 2 3/4 | 3 1/4 | 4 5/16 | 5 1/4 | 5 13/16 | 6 3/4 | 6 15/16 |
| | Unbent Length | 10 5/16 | 11 1/16 | 13 | 16 3/4 | 19 1/2 | 23 1/2 | 27 | 32 | 37 | 39 |
| | Diagonal | 8 1/2 | 9 | 11 | 14 | 16 5/16 | 19 1/2 | 22 1/4 | 26 5/8 | 30 3/4 | 32 7/16 |
| | "A" Offset | 6 | 6 1/2 | 7 3/4 | 10 | 11 1/2 | 13 13/16 | 15 3/4 | 18 13/16 | 21 3/4 | 22 15/16 |
| | "B" Stub Height | 6 | 6 1/2 | 7 3/4 | 10 | 11 1/2 | 13 13/16 | 15 3/4 | 18 13/16 | 21 3/4 | 22 15/16 |

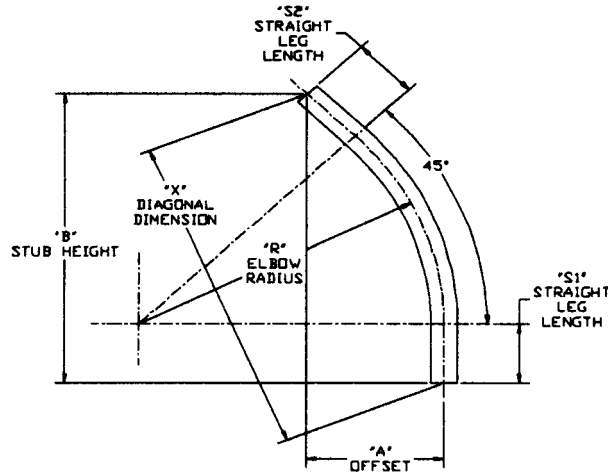
EMT SPECIAL RADIUS ELBOWS • 90 DEGREES



EMT SPECIAL RADIUS ELBOWS • 90 DEGREES

| SIZE | RADIUS | 12 | 15 | 18 | 24 | 30 | 36 | 42 | 48 | 60 | |
|-------|-----------------|---------|--------|---------|---------|----------|----------|--------|---------|-----------|-----------|
| 1 | Leg Length | 8 9/16 | 9 1/4 | 9 7/8 | 10 5/8 | 10 15/16 | 10 3/4 | 12 | 12 5/16 | | |
| | Unbent Length | 36 | 42 | 48 | 59 | 69 | 78 | 90 | 100 | | |
| | Diagonal | 29 1/8 | 34 1/4 | 39 7/16 | 49 | 57 7/8 | 66 1/6 | 76 3/8 | 85 5/16 | | |
| | "A" Offset | 20 9/16 | 24 1/4 | 27 7/8 | 34 5/8 | 40 15/16 | 46 3/4 | 54 | 60 5/16 | | |
| | "B" Stub Height | 20 9/16 | 24 1/4 | 27 7/8 | 34 5/8 | 40 15/16 | 46 3/4 | 54 | 60 5/16 | | |
| 1 1/4 | Leg Length | 8 9/16 | 9 1/4 | 9 7/8 | 10 5/8 | 10 15/16 | 10 3/4 | 12 | 12 5/16 | | |
| | Unbent Length | 36 | 42 | 48 | 59 | 69 | 78 | 90 | 100 | | |
| | Diagonal | 29 1/8 | 34 1/4 | 39 7/16 | 49 | 57 7/8 | 66 1/6 | 76 3/8 | 85 5/16 | | |
| | "A" Offset | 20 9/16 | 24 1/4 | 27 7/8 | 34 5/8 | 40 15/16 | 46 3/4 | 54 | 60 5/16 | | |
| | "B" Stub Height | 20 9/16 | 24 1/4 | 27 7/8 | 34 5/8 | 40 15/16 | 46 3/4 | 54 | 60 5/16 | | |
| 1 1/2 | Leg Length | 8 9/16 | 9 1/4 | 9 7/8 | 10 5/8 | 10 15/16 | 10 3/4 | 12 | 12 5/16 | | |
| | Unbent Length | 36 | 42 | 48 | 59 | 69 | 78 | 90 | 100 | | |
| | Diagonal | 29 1/8 | 34 1/4 | 39 7/16 | 49 | 57 7/8 | 66 1/6 | 76 3/8 | 85 5/16 | | |
| | "A" Offset | 20 9/16 | 24 1/4 | 27 7/8 | 34 5/8 | 40 15/16 | 46 3/4 | 54 | 60 5/16 | | |
| | "B" Stub Height | 20 9/16 | 24 1/4 | 27 7/8 | 34 5/8 | 40 15/16 | 46 3/4 | 54 | 60 5/16 | | |
| 2 | Leg Length | 8 9/16 | 9 1/4 | 9 7/8 | 10 5/8 | 10 15/16 | 10 3/4 | 12 | 12 5/16 | | |
| | Unbent Length | 36 | 42 | 48 | 59 | 69 | 78 | 90 | 100 | | |
| | Diagonal | 29 1/8 | 34 1/4 | 39 7/16 | 49 | 57 7/8 | 66 1/6 | 76 3/8 | 85 5/16 | | |
| | "A" Offset | 20 9/16 | 24 1/4 | 27 7/8 | 34 5/8 | 40 15/16 | 46 3/4 | 54 | 60 5/16 | | |
| | "B" Stub Height | 20 9/16 | 24 1/4 | 27 7/8 | 34 5/8 | 40 15/16 | 46 3/4 | 54 | 60 5/16 | | |
| 2 1/2 | Leg Length | 8 9/16 | 9 1/4 | 9 7/8 | 10 5/8 | 10 15/16 | 10 3/4 | 12 | 12 5/16 | | |
| | Unbent Length | 36 | 42 | 48 | 59 | 69 | 78 | 90 | 100 | | |
| | Diagonal | 29 1/8 | 34 1/4 | 39 7/16 | 49 | 57 7/8 | 66 1/6 | 76 3/8 | 85 5/16 | | |
| | "A" Offset | 20 9/16 | 24 1/4 | 27 7/8 | 34 5/8 | 40 15/16 | 46 3/4 | 54 | 60 5/16 | | |
| | "B" Stub Height | 20 9/16 | 24 1/4 | 27 7/8 | 34 5/8 | 40 15/16 | 46 3/4 | 54 | 60 5/16 | | |
| 3 | Leg Length | | 9 1/4 | 9 7/8 | 10 5/8 | 10 15/16 | 10 3/4 | 12 | 12 5/16 | | |
| | Unbent Length | | 42 | 48 | 59 | 69 | 78 | 90 | 100 | | |
| | Diagonal | | 34 1/4 | 39 7/16 | 49 | 57 7/8 | 66 1/6 | 76 3/8 | 85 5/16 | | |
| | "A" Offset | | 24 1/4 | 27 7/8 | 34 5/8 | 40 15/16 | 46 3/4 | 54 | 60 5/16 | | |
| | "B" Stub Height | | 24 1/4 | 27 7/8 | 34 5/8 | 40 15/16 | 46 3/4 | 54 | 60 5/16 | | |
| 3 1/2 | Leg Length | | | 9 7/8 | 10 5/8 | 10 15/16 | 10 3/4 | 12 | 12 5/16 | | |
| | Unbent Length | | | 48 | 59 | 69 | 78 | 90 | 100 | | |
| | Diagonal | | | 39 7/16 | 49 | 57 7/8 | 66 1/6 | 76 3/8 | 85 5/16 | | |
| | "A" Offset | | | 27 7/8 | 34 5/8 | 40 15/16 | 46 3/4 | 54 | 60 5/16 | | |
| | "B" Stub Height | | | 27 7/8 | 34 5/8 | 40 15/16 | 46 3/4 | 54 | 60 5/16 | | |
| 4 | Leg Length | | | | 9 7/8 | 10 5/8 | 10 15/16 | 10 3/4 | 12 | 12 5/16 | 11 7/8 |
| | Unbent Length | | | | 48 | 59 | 69 | 78 | 90 | 100 | 118 |
| | Diagonal | | | | 39 7/16 | 49 | 57 7/8 | 66 1/6 | 76 3/8 | 85 5/16 | 101 11/16 |
| | "A" Offset | | | | 27 7/8 | 34 5/8 | 40 15/16 | 46 3/4 | 54 | 60 5/16 | 71 7/8 |
| | "B" Stub Height | | | | 27 7/8 | 34 5/8 | 40 15/16 | 46 3/4 | 54 | 60 5/16 | 71 7/8 |
| 5 | Leg Length | | | | | 10 15/16 | 10 3/4 | 12 | 12 5/16 | 11 7/8 | |
| | Unbent Length | | | | | 69 | 78 | 90 | 100 | 118 | |
| | Diagonal | | | | | 57 7/8 | 66 1/6 | 76 3/8 | 85 5/16 | 101 11/16 | |
| | "A" Offset | | | | | 40 15/16 | 46 3/4 | 54 | 60 5/16 | 71 7/8 | |
| | "B" Stub Height | | | | | 40 15/16 | 46 3/4 | 54 | 60 5/16 | 71 7/8 | |
| 6 | Leg Length | | | | | | 10 3/4 | 12 | 12 5/16 | 11 7/8 | |
| | Unbent Length | | | | | | 78 | 90 | 100 | 118 | |
| | Diagonal | | | | | | 66 1/6 | 76 3/8 | 85 5/16 | 101 11/16 | |
| | "A" Offset | | | | | | 46 3/4 | 54 | 60 5/16 | 71 7/8 | |
| | "B" Stub Height | | | | | | 46 3/4 | 54 | 60 5/16 | 71 7/8 | |

EMT SPECIAL RADIUS ELBOWS • 45 DEGREES



EMT SPECIAL RADIUS ELBOWS • 45 DEGREES

| SIZE | RADIUS | 12 | 15 | 18 | 24 | 30 | 36 | 42 | 48 | 60 |
|-------|-----------------|----------|----------|----------|----------|---------|---------|----------|--------|----------|
| 1 | Leg Length | 9 | 9 | 10 | 11 | 11 | 11 | 12 | 12 | |
| | Unbent Length | 27 7/16 | 29 3/4 | 34 1/8 | 40 7/8 | 45 9/16 | 50 1/4 | 56 15/16 | 61 5/8 | |
| | Diagonal | 25 13/16 | 28 1/16 | 32 1/4 | 38 3/4 | 43 5/16 | 47 7/8 | 54 1/4 | 58 7/8 | |
| | "A" Offset | 9 7/8 | 10 3/4 | 12 5/16 | 14 13/16 | 16 9/16 | 18 5/16 | 20 3/4 | 22 1/2 | |
| | "B" Stub Height | 23 7/8 | 25 15/16 | 29 13/16 | 35 3/4 | 40 | 44 3/16 | 50 1/8 | 54 3/8 | |
| 1 1/4 | Leg Length | 9 | 9 | 10 | 11 | 11 | 11 | 12 | 12 | |
| | Unbent Length | 27 7/16 | 29 3/4 | 34 1/8 | 40 7/8 | 45 9/16 | 50 1/4 | 56 15/16 | 61 5/8 | |
| | Diagonal | 25 13/16 | 28 1/16 | 32 1/4 | 38 3/4 | 43 5/16 | 47 7/8 | 54 1/4 | 58 7/8 | |
| | "A" Offset | 9 7/8 | 10 3/4 | 12 5/16 | 14 13/16 | 16 9/16 | 18 5/16 | 20 3/4 | 22 1/2 | |
| | "B" Stub Height | 23 7/8 | 25 15/16 | 29 13/16 | 35 3/4 | 40 | 44 3/16 | 50 1/8 | 54 3/8 | |
| 1 1/2 | Leg Length | 9 | 9 | 10 | 11 | 11 | 11 | 12 | 12 | |
| | Unbent Length | 27 7/16 | 29 3/4 | 34 1/8 | 40 7/8 | 45 9/16 | 50 1/4 | 56 15/16 | 61 5/8 | |
| | Diagonal | 25 13/16 | 28 1/16 | 32 1/4 | 38 3/4 | 43 5/16 | 47 7/8 | 54 1/4 | 58 7/8 | |
| | "A" Offset | 9 7/8 | 10 3/4 | 12 5/16 | 14 13/16 | 16 9/16 | 18 5/16 | 20 3/4 | 22 1/2 | |
| | "B" Stub Height | 23 7/8 | 25 15/16 | 29 13/16 | 35 3/4 | 40 | 44 3/16 | 50 1/8 | 54 3/8 | |
| 2 | Leg Length | 9 | 9 | 10 | 11 | 11 | 11 | 12 | 12 | |
| | Unbent Length | 27 7/16 | 29 3/4 | 34 1/8 | 40 7/8 | 45 9/16 | 50 1/4 | 56 15/16 | 61 5/8 | |
| | Diagonal | 25 13/16 | 28 1/16 | 32 1/4 | 38 3/4 | 43 5/16 | 47 7/8 | 54 1/4 | 58 7/8 | |
| | "A" Offset | 9 7/8 | 10 3/4 | 12 5/16 | 14 13/16 | 16 9/16 | 18 5/16 | 20 3/4 | 22 1/2 | |
| | "B" Stub Height | 23 7/8 | 25 15/16 | 29 13/16 | 35 3/4 | 40 | 44 3/16 | 50 1/8 | 54 3/8 | |
| 2 1/2 | Leg Length | 9 | 9 | 10 | 11 | 11 | 11 | 12 | 12 | |
| | Unbent Length | 27 7/16 | 29 3/4 | 34 1/8 | 40 7/8 | 45 9/16 | 50 1/4 | 56 15/16 | 61 5/8 | |
| | Diagonal | 25 13/16 | 28 1/16 | 32 1/4 | 38 3/4 | 43 5/16 | 47 7/8 | 54 1/4 | 58 7/8 | |
| | "A" Offset | 9 7/8 | 10 3/4 | 12 5/16 | 14 13/16 | 16 9/16 | 18 5/16 | 20 3/4 | 22 1/2 | |
| | "B" Stub Height | 23 7/8 | 25 15/16 | 29 13/16 | 35 3/4 | 40 | 44 3/16 | 50 1/8 | 54 3/8 | |
| 3 | Leg Length | | 9 | 10 | 11 | 11 | 11 | 12 | 12 | |
| | Unbent Length | | 29 3/4 | 34 1/8 | 40 7/8 | 45 9/16 | 50 1/4 | 56 15/16 | 61 5/8 | |
| | Diagonal | | 28 1/16 | 32 1/4 | 38 3/4 | 43 5/16 | 47 7/8 | 54 1/4 | 58 7/8 | |
| | "A" Offset | | 10 3/4 | 12 5/16 | 14 13/16 | 16 9/16 | 18 5/16 | 20 3/4 | 22 1/2 | |
| | "B" Stub Height | | 25 15/16 | 29 13/16 | 35 3/4 | 40 | 44 3/16 | 50 1/8 | 54 3/8 | |
| 3 1/2 | Leg Length | | | 10 | 11 | 11 | 11 | 12 | 12 | |
| | Unbent Length | | | 34 1/8 | 40 7/8 | 45 9/16 | 50 1/4 | 56 15/16 | 61 5/8 | |
| | Diagonal | | | 32 1/4 | 38 3/4 | 43 5/16 | 47 7/8 | 54 1/4 | 58 7/8 | |
| | "A" Offset | | | 12 5/16 | 14 13/16 | 16 9/16 | 18 5/16 | 20 3/4 | 22 1/2 | |
| | "B" Stub Height | | | 29 13/16 | 35 3/4 | 40 | 44 3/16 | 50 1/8 | 54 3/8 | |
| 4 | Leg Length | | | 10 | 11 | 11 | 11 | 12 | 12 | 12 |
| | Unbent Length | | | 34 1/8 | 40 7/8 | 45 9/16 | 50 1/4 | 56 15/16 | 61 5/8 | 71 1/8 |
| | Diagonal | | | 32 1/4 | 38 3/4 | 43 5/16 | 47 7/8 | 54 1/4 | 58 7/8 | 68 1/8 |
| | "A" Offset | | | 12 5/16 | 14 13/16 | 16 9/16 | 18 5/16 | 20 3/4 | 22 1/2 | 26 1/16 |
| | "B" Stub Height | | | 29 13/16 | 35 3/4 | 40 | 44 3/16 | 50 1/8 | 54 3/8 | 62 15/16 |
| 5 | Leg Length | | | | | 11 | 11 | 12 | 12 | 12 |
| | Unbent Length | | | | | 45 9/16 | 50 1/4 | 56 15/16 | 61 5/8 | 71 1/8 |
| | Diagonal | | | | | 43 5/16 | 47 7/8 | 54 1/4 | 58 7/8 | 68 1/8 |
| | "A" Offset | | | | | 16 9/16 | 18 5/16 | 20 3/4 | 22 1/2 | 26 1/16 |
| | "B" Stub Height | | | | | 40 | 44 3/16 | 50 1/8 | 54 3/8 | 62 15/16 |
| 6 | Leg Length | | | | | | 11 | 12 | 12 | 12 |
| | Unbent Length | | | | | | 50 1/4 | 56 15/16 | 61 5/8 | 71 1/8 |
| | Diagonal | | | | | | 47 7/8 | 54 1/4 | 58 7/8 | 68 1/8 |
| | "A" Offset | | | | | | 18 5/16 | 20 3/4 | 22 1/2 | 26 1/16 |
| | "B" Stub Height | | | | | | 44 3/16 | 50 1/8 | 54 3/8 | 62 15/16 |



ALUMINUM CONDUIT COUPLINGS & STANDARD RADIUS ELBOWS • PRICE GUIDE

ALUMINUM CONDUIT COUPLINGS

| CATALOG NUMBER | DESCRIPTION | WEIGHT PER 100 PIECES (lbs) | STANDARD CARTON | LIST PRICE PER 100 PIECES |
|----------------|-------------------------|-----------------------------|-----------------|---------------------------|
| ALUCPLG-1/2 | 1/2 ALUMINUM COUPLING | 6 | 50 | 619.92 |
| ALUCPLG-3/4 | 3/4 ALUMINUM COUPLING | 9 | 50 | 938.02 |
| ALUCPLG-1 | 1 ALUMINUM COUPLING | 13 | 50 | 1,237.53 |
| ALUCPLG-1-1/4 | 1 1/4 ALUMINUM COUPLING | 19 | 50 | 1,512.51 |
| ALUCPLG-1-1/2 | 1 1/2 ALUMINUM COUPLING | 23 | 50 | 1,747.80 |
| ALUCPLG-2 | 2 ALUMINUM COUPLING | 35 | 20 | 2,481.93 |
| ALUCPLG-2-1/2 | 2 1/2 ALUMINUM COUPLING | 68 | 12 | 5,590.02 |
| ALUCPLG-3 | 3 ALUMINUM COUPLING | 91 | 12 | 7,293.61 |
| ALUCPLG-3-1/2 | 3 1/2 ALUMINUM COUPLING | 108 | 12 | 10,020.40 |
| ALUCPLG-4 | 4 ALUMINUM COUPLING | 142 | 12 | 12,064.05 |
| ALUCPLG-5 | 5 ALUMINUM COUPLING | 242 | BLK | 40,736.75 |
| ALUCPLG-6 | 6 ALUMINUM COUPLING | 320 | BLK | 63,582.70 |

ALUMINUM CONDUIT STANDARD RADIUS ELBOWS

| CATALOG NUMBER | DESCRIPTION | WEIGHT PER 100 PIECES (lbs) | STANDARD CARTON | LIST PRICE PER 100 PIECES |
|----------------|-------------------------|-----------------------------|-----------------|---------------------------|
| ALUELB1/2X90 | 1/2X90 ALUMINUM ELBOW | 26 | 10 | 1,882.32 |
| ALUELB3/4X90 | 3/4X90 ALUMINUM ELBOW | 36 | 10 | 2,557.25 |
| ALUELB1X90 | 1X90 ALUMINUM ELBOW | 63 | 10 | 3,563.25 |
| ALUELB1-1/4X90 | 1 1/4X90 ALUMINUM ELBOW | 101 | 10 | 5,664.73 |
| ALUELB1-1/2X90 | 1 1/2X90 ALUMINUM ELBOW | 140 | 10 | 7,535.61 |
| ALUELB2X90 | 2X90 ALUMINUM ELBOW | 230 | 10 | 11,092.18 |
| ALUELB2-1/2X90 | 2 1/2X90 ALUMINUM ELBOW | 408 | BLK | 18,695.99 |
| ALUELB3X90 | 3X90 ALUMINUM ELBOW | 641 | BLK | 28,878.39 |
| ALUELB3-1/2X90 | 3 1/2X90 ALUMINUM ELBOW | 893 | BLK | 45,039.92 |
| ALUELB4X90 | 4X90 ALUMINUM ELBOW | 1114 | BLK | 53,404.28 |
| ALUELB5X90 | 5X90 ALUMINUM ELBOW | 2472 | BLK | 157,905.96 |
| ALUELB6X90 | 6X90 ALUMINUM ELBOW | 3872 | BLK | 218,475.90 |
| ALUELB1/2X45 | 1/2X45 ALUMINUM ELBOW | 22 | 10 | 1,882.32 |
| ALUELB3/4X45 | 3/4X45 ALUMINUM ELBOW | 31 | 10 | 2,557.25 |
| ALUELB1X45 | 1X45 ALUMINUM ELBOW | 54 | 10 | 3,563.25 |
| ALUELB1-1/4X45 | 1 1/4X45 ALUMINUM ELBOW | 86 | 10 | 5,664.73 |
| ALUELB1-1/2X45 | 1 1/2X45 ALUMINUM ELBOW | 119 | 10 | 7,535.61 |
| ALUELB2X45 | 2X45 ALUMINUM ELBOW | 196 | 10 | 11,092.18 |
| ALUELB2-1/2X45 | 2 1/2X45 ALUMINUM ELBOW | 347 | BLK | 18,695.99 |
| ALUELB3X45 | 3X45 ALUMINUM ELBOW | 545 | BLK | 28,878.39 |
| ALUELB3-1/2X45 | 3 1/2X45 ALUMINUM ELBOW | 759 | BLK | 45,039.92 |
| ALUELB4X45 | 4X45 ALUMINUM ELBOW | 947 | BLK | 53,404.28 |
| ALUELB5X45 | 5X45 ALUMINUM ELBOW | 2101 | BLK | 157,905.96 |
| ALUELB6X45 | 6X45 ALUMINUM ELBOW | 3291 | BLK | 218,475.90 |



ALUMINUM SPECIAL RADIUS ELBOWS • PRICE GUIDE

ALUMINUM SPECIAL RADIUS ELBOWS

| CATALOG NUMBER | DESCRIPTION | APP WEIGHT (lbs) | STANDARD CARTON | LIST PRICE EACH |
|-------------------|----------------------------|------------------|-----------------|-----------------|
| ALUELB1X90X12 | 1X90X12 ALUMINUM ELBOW | 2 | BLK | 140.58 |
| ALUELB1-1/4X90X12 | 1 1/4X90X12 ALUMINUM ELBOW | 2 | BLK | 162.00 |
| ALUELB1-1/2X90X12 | 1 1/2X90X12 ALUMINUM ELBOW | 3 | BLK | 208.31 |
| ALUELB2X90X12 | 2X90X12 ALUMINUM ELBOW | 4 | BLK | 256.63 |
| ALUELB2-1/2X90X12 | 2 1/2X90X12 ALUMINUM ELBOW | 6 | BLK | 308.77 |
| ALUELB1X45X12 | 1X45X12 ALUMINUM ELBOW | 2 | BLK | 140.58 |
| ALUELB1-1/4X45X12 | 1 1/4X45X12 ALUMINUM ELBOW | 2 | BLK | 162.00 |
| ALUELB1-1/2X45X12 | 1 1/2X45X12 ALUMINUM ELBOW | 3 | BLK | 208.31 |
| ALUELB2X45X12 | 2X45X12 ALUMINUM ELBOW | 3 | BLK | 256.63 |
| ALUELB2-1/2X45X12 | 2 1/2X45X12 ALUMINUM ELBOW | 5 | BLK | 308.77 |
| ALUELB1X60X12 | 1X60X12 ALUMINUM ELBOW | 2 | BLK | 140.58 |
| ALUELB1-1/4X60X12 | 1 1/4X60X12 ALUMINUM ELBOW | 2 | BLK | 162.00 |
| ALUELB1-1/2X60X12 | 1 1/2X60X12 ALUMINUM ELBOW | 3 | BLK | 208.31 |
| ALUELB2X60X12 | 2X60X12 ALUMINUM ELBOW | 4 | BLK | 256.63 |
| ALUELB2-1/2X60X12 | 2 1/2X60X12 ALUMINUM ELBOW | 5 | BLK | 308.77 |
| ALUELB1X30X12 | 1X30X12 ALUMINUM ELBOW | 2 | BLK | 140.58 |
| ALUELB1-1/4X30X12 | 1 1/4X30X12 ALUMINUM ELBOW | 2 | BLK | 162.00 |
| ALUELB1-1/2X30X12 | 1 1/2X30X12 ALUMINUM ELBOW | 2 | BLK | 208.31 |
| ALUELB2X30X12 | 2X30X12 ALUMINUM ELBOW | 3 | BLK | 256.63 |
| ALUELB2-1/2X30X12 | 2 1/2X30X12 ALUMINUM ELBOW | 5 | BLK | 308.77 |
| ALUELB1-1/4X90X15 | 1 1/4X90X15 ALUMINUM ELBOW | 3 | BLK | 241.80 |
| ALUELB1-1/2X90X15 | 1 1/2X90X15 ALUMINUM ELBOW | 3 | BLK | 294.68 |
| ALUELB2X90X15 | 2X90X15 ALUMINUM ELBOW | 4 | BLK | 305.38 |
| ALUELB2-1/2X90X15 | 2 1/2X90X15 ALUMINUM ELBOW | 7 | BLK | 408.47 |
| ALUELB3X90X15 | 3X90X15 ALUMINUM ELBOW | 9 | BLK | 544.29 |
| ALUELB1-1/4X45X15 | 1 1/4X45X15 ALUMINUM ELBOW | 3 | BLK | 241.80 |
| ALUELB1-1/2X45X15 | 1 1/2X45X15 ALUMINUM ELBOW | 3 | BLK | 294.68 |
| ALUELB2X45X15 | 2X45X15 ALUMINUM ELBOW | 3 | BLK | 305.38 |
| ALUELB2-1/2X45X15 | 2 1/2X45X15 ALUMINUM ELBOW | 6 | BLK | 408.47 |
| ALUELB3X45X15 | 3X45X15 ALUMINUM ELBOW | 8 | BLK | 544.29 |
| ALUELB1-1/4X60X15 | 1 1/4X60X15 ALUMINUM ELBOW | 3 | BLK | 241.80 |
| ALUELB1-1/2X60X15 | 1 1/2X60X15 ALUMINUM ELBOW | 3 | BLK | 294.68 |
| ALUELB2X60X15 | 2X60X15 ALUMINUM ELBOW | 4 | BLK | 305.38 |
| ALUELB2-1/2X60X15 | 2 1/2X60X15 ALUMINUM ELBOW | 6 | BLK | 408.47 |
| ALUELB3X60X15 | 3X60X15 ALUMINUM ELBOW | 8 | BLK | 544.29 |

Continued next page

NOTES: Prices are available upon request for special sizes, bends, and lengths. Prices shown are for 90° elbows. Weights shown are approximate for 90° elbows. To arrive at weights for 60° elbows deduct 10%, for 45° elbows deduct 15%, and for 30° elbows deduct 20%.

**All products on this page are made to order. Consult factory for lead times.
All Aluminum elbows are noncancelable and nonreturnable.**



ALUMINUM SPECIAL RADIUS ELBOWS • PRICE GUIDE

ALUMINUM SPECIAL RADIUS ELBOWS

| CATALOG NUMBER | DESCRIPTION | APP WEIGHT (lbs) | STANDARD CARTON | LIST PRICE EACH |
|-------------------|----------------------------|------------------|-----------------|-----------------|
| ALUELB1-1/4X30X15 | 1 1/4X30X15 ALUMINUM ELBOW | 2 | BLK | 241.80 |
| ALUELB1-1/2X30X15 | 1 1/2X30X15 ALUMINUM ELBOW | 2 | BLK | 294.68 |
| ALUELB2X30X15 | 2X30X15 ALUMINUM ELBOW | 3 | BLK | 305.38 |
| ALUELB2-1/2X30X15 | 2 1/2X30X15 ALUMINUM ELBOW | 6 | BLK | 408.47 |
| ALUELB3X30X15 | 3X30X15 ALUMINUM ELBOW | 7 | BLK | 544.29 |
| ALUELB1X90X18 | 1X90X18 ALUMINUM ELBOW | 2 | BLK | 203.95 |
| ALUELB1-1/4X90X18 | 1 1/4X90X18 ALUMINUM ELBOW | 3 | BLK | 241.82 |
| ALUELB1-1/2X90X18 | 1 1/2X90X18 ALUMINUM ELBOW | 4 | BLK | 294.71 |
| ALUELB2X90X18 | 2X90X18 ALUMINUM ELBOW | 5 | BLK | 363.31 |
| ALUELB2-1/2X90X18 | 2 1/2X90X18 ALUMINUM ELBOW | 8 | BLK | 492.61 |
| ALUELB3X90X18 | 3X90X18 ALUMINUM ELBOW | 10 | BLK | 626.41 |
| ALUELB3-1/2X90X18 | 3 1/2X90X18 ALUMINUM ELBOW | 12 | BLK | 928.48 |
| ALUELB4X90X18 | 4X90X18 ALUMINUM ELBOW | 14 | BLK | 1,035.57 |
| ALUELB1X45X18 | 1X45X18 ALUMINUM ELBOW | 2 | BLK | 203.95 |
| ALUELB1-1/4X45X18 | 1 1/4X45X18 ALUMINUM ELBOW | 3 | BLK | 241.82 |
| ALUELB1-1/2X45X18 | 1 1/2X45X18 ALUMINUM ELBOW | 3 | BLK | 294.71 |
| ALUELB2X45X18 | 2X45X18 ALUMINUM ELBOW | 4 | BLK | 363.31 |
| ALUELB2-1/2X45X18 | 2 1/2X45X18 ALUMINUM ELBOW | 7 | BLK | 492.61 |
| ALUELB3X45X18 | 3X45X18 ALUMINUM ELBOW | 9 | BLK | 626.41 |
| ALUELB3-1/2X45X18 | 3 1/2X45X18 ALUMINUM ELBOW | 10 | BLK | 928.48 |
| ALUELB4X45X18 | 4X45X18 ALUMINUM ELBOW | 12 | BLK | 1,035.57 |
| ALUELB1X60X18 | 1X60X18 ALUMINUM ELBOW | 2 | BLK | 203.95 |
| ALUELB1-1/4X60X18 | 1 1/4X60X18 ALUMINUM ELBOW | 3 | BLK | 241.82 |
| ALUELB1-1/2X60X18 | 1 1/2X60X18 ALUMINUM ELBOW | 4 | BLK | 294.71 |
| ALUELB2X60X18 | 2X60X18 ALUMINUM ELBOW | 5 | BLK | 363.31 |
| ALUELB2-1/2X60X18 | 2 1/2X60X18 ALUMINUM ELBOW | 7 | BLK | 492.61 |
| ALUELB3X60X18 | 3X60X18 ALUMINUM ELBOW | 9 | BLK | 626.41 |
| ALUELB3-1/2X60X18 | 3 1/2X60X18 ALUMINUM ELBOW | 11 | BLK | 928.48 |
| ALUELB4X60X18 | 4X60X18 ALUMINUM ELBOW | 13 | BLK | 1,035.57 |
| ALUELB1X30X18 | 1X30X18 ALUMINUM ELBOW | 2 | BLK | 203.95 |
| ALUELB1-1/4X30X18 | 1 1/4X30X18 ALUMINUM ELBOW | 2 | BLK | 241.82 |
| ALUELB1-1/2X30X18 | 1 1/2X30X18 ALUMINUM ELBOW | 3 | BLK | 294.71 |
| ALUELB2X30X18 | 2X30X18 ALUMINUM ELBOW | 4 | BLK | 363.31 |
| ALUELB2-1/2X30X18 | 2 1/2X30X18 ALUMINUM ELBOW | 6 | BLK | 492.61 |
| ALUELB3X30X18 | 3X30X18 ALUMINUM ELBOW | 8 | BLK | 626.41 |
| ALUELB3-1/2X30X18 | 3 1/2X30X18 ALUMINUM ELBOW | 10 | BLK | 928.48 |
| ALUELB4X30X18 | 4X30X18 ALUMINUM ELBOW | 11 | BLK | 1,035.57 |

Continued next page

NOTES: Prices are available upon request for special sizes, bends, and lengths. Prices shown are for 90° elbows. Weights shown are approximate for 90° elbows. To arrive at weights for 60° elbows deduct 10%, for 45° elbows deduct 15%, and for 30° elbows deduct 20%.

**All products on this page are made to order. Consult factory for lead times.
All Aluminum elbows are noncancelable and nonreturnable.**



ALUMINUM SPECIAL RADIUS ELBOWS • PRICE GUIDE

ALUMINUM SPECIAL RADIUS ELBOWS

| CATALOG NUMBER | DESCRIPTION | APP WEIGHT (lbs) | STANDARD CARTON | LIST PRICE EACH |
|-------------------|----------------------------|------------------|-----------------|-----------------|
| ALUELB1X90X24 | 1X90X24 ALUMINUM ELBOW | 3 | BLK | 245.26 |
| ALUELB1-1/4X90X24 | 1 1/4X90X24 ALUMINUM ELBOW | 4 | BLK | 289.84 |
| ALUELB1-1/2X90X24 | 1 1/2X90X24 ALUMINUM ELBOW | 5 | BLK | 346.65 |
| ALUELB2X90X24 | 2X90X24 ALUMINUM ELBOW | 6 | BLK | 447.64 |
| ALUELB2-1/2X90X24 | 2 1/2X90X24 ALUMINUM ELBOW | 9 | BLK | 595.98 |
| ALUELB3X90X24 | 3X90X24 ALUMINUM ELBOW | 12 | BLK | 790.86 |
| ALUELB3-1/2X90X24 | 3 1/2X90X24 ALUMINUM ELBOW | 14 | BLK | 1,094.17 |
| ALUELB4X90X24 | 4X90X24 ALUMINUM ELBOW | 17 | BLK | 1,223.39 |
| ALUELB1X45X24 | 1X45X24 ALUMINUM ELBOW | 3 | BLK | 245.26 |
| ALUELB1-1/4X45X24 | 1 1/4X45X24 ALUMINUM ELBOW | 3 | BLK | 289.84 |
| ALUELB1-1/2X45X24 | 1 1/2X45X24 ALUMINUM ELBOW | 4 | BLK | 346.65 |
| ALUELB2X45X24 | 2X45X24 ALUMINUM ELBOW | 5 | BLK | 447.64 |
| ALUELB2-1/2X45X24 | 2 1/2X45X24 ALUMINUM ELBOW | 8 | BLK | 595.98 |
| ALUELB3X45X24 | 3X45X24 ALUMINUM ELBOW | 10 | BLK | 790.86 |
| ALUELB3-1/2X45X24 | 3 1/2X45X24 ALUMINUM ELBOW | 12 | BLK | 1,094.17 |
| ALUELB4X45X24 | 4X45X24 ALUMINUM ELBOW | 14 | BLK | 1,223.39 |
| ALUELB1X60X24 | 1X60X24 ALUMINUM ELBOW | 3 | BLK | 245.26 |
| ALUELB1-1/4X60X24 | 1 1/4X60X24 ALUMINUM ELBOW | 4 | BLK | 289.84 |
| ALUELB1-1/2X60X24 | 1 1/2X60X24 ALUMINUM ELBOW | 5 | BLK | 346.65 |
| ALUELB2X60X24 | 2X60X24 ALUMINUM ELBOW | 5 | BLK | 447.64 |
| ALUELB2-1/2X60X24 | 2 1/2X60X24 ALUMINUM ELBOW | 8 | BLK | 595.98 |
| ALUELB3X60X24 | 3X60X24 ALUMINUM ELBOW | 11 | BLK | 790.86 |
| ALUELB3-1/2X60X24 | 3 1/2X60X24 ALUMINUM ELBOW | 13 | BLK | 1,094.17 |
| ALUELB4X60X24 | 4X60X24 ALUMINUM ELBOW | 15 | BLK | 1,223.39 |
| ALUELB1X30X24 | 1X30X24 ALUMINUM ELBOW | 2 | BLK | 245.26 |
| ALUELB1-1/4X30X24 | 1 1/4X30X24 ALUMINUM ELBOW | 3 | BLK | 289.84 |
| ALUELB1-1/2X30X24 | 1 1/2X30X24 ALUMINUM ELBOW | 4 | BLK | 346.65 |
| ALUELB2X30X24 | 2X30X24 ALUMINUM ELBOW | 5 | BLK | 447.64 |
| ALUELB2-1/2X30X24 | 2 1/2X30X24 ALUMINUM ELBOW | 7 | BLK | 595.98 |
| ALUELB3X30X24 | 3X30X24 ALUMINUM ELBOW | 10 | BLK | 790.86 |
| ALUELB3-1/2X30X24 | 3 1/2X30X24 ALUMINUM ELBOW | 11 | BLK | 1,094.17 |
| ALUELB4X30X24 | 4X30X24 ALUMINUM ELBOW | 14 | BLK | 1,223.39 |
| ALUELB1X90X30 | 1X90X30 ALUMINUM ELBOW | 3 | BLK | 322.90 |
| ALUELB1-1/4X90X30 | 1 1/4X90X30 ALUMINUM ELBOW | 4 | BLK | 394.42 |
| ALUELB1-1/2X90X30 | 1 1/2X90X30 ALUMINUM ELBOW | 5 | BLK | 471.27 |
| ALUELB2X90X30 | 2X90X30 ALUMINUM ELBOW | 7 | BLK | 447.64 |
| ALUELB2-1/2X90X30 | 2 1/2X90X30 ALUMINUM ELBOW | 11 | BLK | 811.04 |
| ALUELB3X90X30 | 3X90X30 ALUMINUM ELBOW | 14 | BLK | 918.31 |
| ALUELB3-1/2X90X30 | 3 1/2X90X30 ALUMINUM ELBOW | 17 | BLK | 1,307.86 |
| ALUELB4X90X30 | 4X90X30 ALUMINUM ELBOW | 20 | BLK | 1,408.94 |
| ALUELB5X90X30 | 5X90X30 ALUMINUM ELBOW | 29 | BLK | 2,392.35 |

Continued next page

NOTES: Prices are available upon request for special sizes, bends, and lengths. Prices shown are for 90° elbows. Weights shown are approximate for 90° elbows. To arrive at weights for 60° elbows deduct 10%, for 45° elbows deduct 15%, and for 30° elbows deduct 20%.

**All products on this page are made to order. Consult factory for lead times.
All Aluminum elbows are noncancelable and nonreturnable.**



ALUMINUM SPECIAL RADIUS ELBOWS • PRICE GUIDE

ALUMINUM SPECIAL RADIUS ELBOWS

| CATALOG NUMBER | DESCRIPTION | APP WEIGHT (lbs) | STANDARD CARTON | LIST PRICE EACH |
|------------------|----------------------------|------------------|-----------------|-----------------|
| ALUEL1X45X30 | 1X45X30 ALUMINUM ELBOW | 3 | BLK | 322.90 |
| ALUEL1-1/4X45X30 | 1 1/4X45X30 ALUMINUM ELBOW | 3 | BLK | 394.42 |
| ALUEL1-1/2X45X30 | 1 1/2X45X30 ALUMINUM ELBOW | 4 | BLK | 471.27 |
| ALUEL2X45X30 | 2X45X30 ALUMINUM ELBOW | 6 | BLK | 447.64 |
| ALUEL2-1/2X45X30 | 2 1/2X45X30 ALUMINUM ELBOW | 9 | BLK | 811.04 |
| ALUEL3X45X30 | 3X45X30 ALUMINUM ELBOW | 12 | BLK | 918.31 |
| ALUEL3-1/2X45X30 | 3 1/2X45X30 ALUMINUM ELBOW | 14 | BLK | 1,307.86 |
| ALUEL4X45X30 | 4X45X30 ALUMINUM ELBOW | 17 | BLK | 1,408.94 |
| ALUEL5X45X30 | 5X45X30 ALUMINUM ELBOW | 25 | BLK | 2,392.35 |
| ALUEL1X60X30 | 1X60X30 ALUMINUM ELBOW | 3 | BLK | 322.90 |
| ALUEL1-1/4X60X30 | 1 1/4X60X30 ALUMINUM ELBOW | 4 | BLK | 394.42 |
| ALUEL1-1/2X60X30 | 1 1/2X60X30 ALUMINUM ELBOW | 5 | BLK | 471.27 |
| ALUEL2X60X30 | 2X60X30 ALUMINUM ELBOW | 6 | BLK | 447.64 |
| ALUEL2-1/2X60X30 | 2 1/2X60X30 ALUMINUM ELBOW | 10 | BLK | 811.04 |
| ALUEL3X60X30 | 3X60X30 ALUMINUM ELBOW | 13 | BLK | 918.31 |
| ALUEL3-1/2X60X30 | 3 1/2X60X30 ALUMINUM ELBOW | 15 | BLK | 1,307.86 |
| ALUEL4X60X30 | 4X60X30 ALUMINUM ELBOW | 18 | BLK | 1,408.94 |
| ALUEL5X60X30 | 5X60X30 ALUMINUM ELBOW | 26 | BLK | 2,392.35 |
| ALUEL1X30X30 | 1X30X30 ALUMINUM ELBOW | 2 | BLK | 322.90 |
| ALUEL1-1/4X30X30 | 1 1/4X30X30 ALUMINUM ELBOW | 3 | BLK | 394.42 |
| ALUEL1-1/2X30X30 | 1 1/2X30X30 ALUMINUM ELBOW | 5 | BLK | 471.27 |
| ALUEL2X30X30 | 2X30X30 ALUMINUM ELBOW | 6 | BLK | 447.64 |
| ALUEL2-1/2X30X30 | 2 1/2X30X30 ALUMINUM ELBOW | 10 | BLK | 811.04 |
| ALUEL3X30X30 | 3X30X30 ALUMINUM ELBOW | 13 | BLK | 918.31 |
| ALUEL3-1/2X30X30 | 3 1/2X30X30 ALUMINUM ELBOW | 15 | BLK | 1,307.86 |
| ALUEL4X30X30 | 4X30X30 ALUMINUM ELBOW | 16 | BLK | 1,408.94 |
| ALUEL5X30X30 | 5X30X30 ALUMINUM ELBOW | 23 | BLK | 2,392.35 |
| ALUEL1X90X36 | 1X90X36 ALUMINUM ELBOW | 4 | BLK | 322.93 |
| ALUEL1-1/4X90X36 | 1 1/4X90X36 ALUMINUM ELBOW | 5 | BLK | 394.45 |
| ALUEL1-1/2X90X36 | 1 1/2X90X36 ALUMINUM ELBOW | 6 | BLK | 471.31 |
| ALUEL2X90X36 | 2X90X36 ALUMINUM ELBOW | 8 | BLK | 601.24 |
| ALUEL2-1/2X90X36 | 2 1/2X90X36 ALUMINUM ELBOW | 12 | BLK | 811.11 |
| ALUEL3X90X36 | 3X90X36 ALUMINUM ELBOW | 16 | BLK | 1,080.29 |
| ALUEL3-1/2X90X36 | 3 1/2X90X36 ALUMINUM ELBOW | 19 | BLK | 1,469.24 |
| ALUEL4X90X36 | 4X90X36 ALUMINUM ELBOW | 23 | BLK | 1,642.38 |
| ALUEL5X90X36 | 5X90X36 ALUMINUM ELBOW | 32 | BLK | 2,804.55 |
| ALUEL6X90X36 | 6X90X36 ALUMINUM ELBOW | 42 | BLK | 3,005.65 |

Continued next page

NOTES: Prices are available upon request for special sizes, bends, and lengths. Prices shown are for 90° elbows. Weights shown are approximate for 90° elbows. To arrive at weights for 60° elbows deduct 10%, for 45° elbows deduct 15%, and for 30° elbows deduct 20%.

**All products on this page are made to order. Consult factory for lead times.
All Aluminum elbows are noncancelable and nonreturnable.**



ALUMINUM SPECIAL RADIUS ELBOWS • PRICE GUIDE

ALUMINUM SPECIAL RADIUS ELBOWS

| CATALOG NUMBER | DESCRIPTION | APP WEIGHT (lbs) | STANDARD CARTON | LIST PRICE EACH |
|-------------------|----------------------------|------------------|-----------------|-----------------|
| ALUELB1X45X36 | 1X45X36 ALUMINUM ELBOW | 3 | BLK | 322.93 |
| ALUELB1-1/4X45X36 | 1 1/4X45X36 ALUMINUM ELBOW | 4 | BLK | 394.45 |
| ALUELB1-1/2X45X36 | 1 1/2X45X36 ALUMINUM ELBOW | 5 | BLK | 471.31 |
| ALUELB2X45X36 | 2X45X36 ALUMINUM ELBOW | 7 | BLK | 601.24 |
| ALUELB2-1/2X45X36 | 2 1/2X45X36 ALUMINUM ELBOW | 10 | BLK | 811.11 |
| ALUELB3X45X36 | 3X45X36 ALUMINUM ELBOW | 14 | BLK | 1,080.29 |
| ALUELB3-1/2X45X36 | 3 1/2X45X36 ALUMINUM ELBOW | 16 | BLK | 1,469.24 |
| ALUELB4X45X36 | 4X45X36 ALUMINUM ELBOW | 20 | BLK | 1,642.38 |
| ALUELB5X45X36 | 5X45X36 ALUMINUM ELBOW | 27 | BLK | 2,804.55 |
| ALUELB6X45X36 | 6X45X36 ALUMINUM ELBOW | 29 | BLK | 3,005.65 |
| ALUELB1X60X36 | 1X60X36 ALUMINUM ELBOW | 4 | BLK | 322.93 |
| ALUELB1-1/4X60X36 | 1 1/4X60X36 ALUMINUM ELBOW | 5 | BLK | 394.45 |
| ALUELB1-1/2X60X36 | 1 1/2X60X36 ALUMINUM ELBOW | 5 | BLK | 471.31 |
| ALUELB2X60X36 | 2X60X36 ALUMINUM ELBOW | 7 | BLK | 601.24 |
| ALUELB2-1/2X60X36 | 2 1/2X60X36 ALUMINUM ELBOW | 11 | BLK | 811.11 |
| ALUELB3X60X36 | 3X60X36 ALUMINUM ELBOW | 14 | BLK | 1,080.29 |
| ALUELB3-1/2X60X36 | 3 1/2X60X36 ALUMINUM ELBOW | 17 | BLK | 1,469.24 |
| ALUELB4X60X36 | 4X60X36 ALUMINUM ELBOW | 18 | BLK | 1,642.38 |
| ALUELB5X60X36 | 5X60X36 ALUMINUM ELBOW | 29 | BLK | 2,804.55 |
| ALUELB6X60X36 | 6X60X36 ALUMINUM ELBOW | 39 | BLK | 3,005.65 |
| ALUELB1X30X36 | 1X30X36 ALUMINUM ELBOW | 3 | BLK | 322.93 |
| ALUELB1-1/4X30X36 | 1 1/4X30X36 ALUMINUM ELBOW | 4 | BLK | 394.45 |
| ALUELB1-1/2X30X36 | 1 1/2X30X36 ALUMINUM ELBOW | 5 | BLK | 471.31 |
| ALUELB2X30X36 | 2X30X36 ALUMINUM ELBOW | 6 | BLK | 601.24 |
| ALUELB2-1/2X30X36 | 2 1/2X30X36 ALUMINUM ELBOW | 10 | BLK | 811.11 |
| ALUELB3X30X36 | 3X30X36 ALUMINUM ELBOW | 13 | BLK | 1,080.29 |
| ALUELB3-1/2X30X36 | 3 1/2X30X36 ALUMINUM ELBOW | 15 | BLK | 1,469.24 |
| ALUELB4X30X36 | 4X30X36 ALUMINUM ELBOW | 18 | BLK | 1,642.38 |
| ALUELB5X30X36 | 5X30X36 ALUMINUM ELBOW | 26 | BLK | 2,804.55 |
| ALUELB6X30X36 | 6X30X36 ALUMINUM ELBOW | 34 | BLK | 3,005.65 |
| ALUELB1X90X42 | 1X90X42 ALUMINUM ELBOW | 4 | BLK | 407.07 |
| ALUELB1-1/4X90X42 | 1 1/4X90X42 ALUMINUM ELBOW | 6 | BLK | 488.45 |
| ALUELB1-1/2X90X42 | 1 1/2X90X42 ALUMINUM ELBOW | 7 | BLK | 586.13 |
| ALUELB2X90X42 | 2X90X42 ALUMINUM ELBOW | 9 | BLK | 667.58 |
| ALUELB2-1/2X90X42 | 2 1/2X90X42 ALUMINUM ELBOW | 14 | BLK | 801.01 |
| ALUELB3X90X42 | 3X90X42 ALUMINUM ELBOW | 19 | BLK | 1,183.91 |
| ALUELB3-1/2X90X42 | 3 1/2X90X42 ALUMINUM ELBOW | 22 | BLK | 1,638.88 |
| ALUELB4X90X42 | 4X90X42 ALUMINUM ELBOW | 26 | BLK | 2,009.10 |
| ALUELB5X90X42 | 5X90X42 ALUMINUM ELBOW | 37 | BLK | 3,124.26 |
| ALUELB6X90X42 | 6X90X42 ALUMINUM ELBOW | 49 | BLK | 3,333.68 |

Continued next page

NOTES: Prices are available upon request for special sizes, bends, and lengths. Prices shown are for 90° elbows. Weights shown are approximate for 90° elbows. To arrive at weights for 60° elbows deduct 10%, for 45° elbows deduct 15%, and for 30° elbows deduct 20%.

**All products on this page are made to order. Consult factory for lead times.
All Aluminum elbows are noncancelable and nonreturnable.**



ALUMINUM SPECIAL RADIUS ELBOWS • PRICE GUIDE

ALUMINUM SPECIAL RADIUS ELBOWS

| CATALOG NUMBER | DESCRIPTION | APP WEIGHT (lbs) | STANDARD CARTON | LIST PRICE EACH |
|-------------------|----------------------------|------------------|-----------------|-----------------|
| ALUELB1X45X42 | 1X45X42 ALUMINUM ELBOW | 3 | BLK | 407.07 |
| ALUELB1-1/4X45X42 | 1 1/4X45X42 ALUMINUM ELBOW | 5 | BLK | 488.45 |
| ALUELB1-1/2X45X42 | 1 1/2X45X42 ALUMINUM ELBOW | 6 | BLK | 586.13 |
| ALUELB2X45X42 | 2X45X42 ALUMINUM ELBOW | 8 | BLK | 667.58 |
| ALUELB2-1/2X45X42 | 2 1/2X45X42 ALUMINUM ELBOW | 12 | BLK | 801.01 |
| ALUELB3X45X42 | 3X45X42 ALUMINUM ELBOW | 16 | BLK | 1,183.91 |
| ALUELB3-1/2X45X42 | 3 1/2X45X42 ALUMINUM ELBOW | 19 | BLK | 1,638.88 |
| ALUELB4X45X42 | 4X45X42 ALUMINUM ELBOW | 22 | BLK | 2,009.10 |
| ALUELB5X45X42 | 5X45X42 ALUMINUM ELBOW | 31 | BLK | 3,124.26 |
| ALUELB6X45X42 | 6X45X42 ALUMINUM ELBOW | 42 | BLK | 3,333.68 |
| ALUELB1X60X42 | 1X60X42 ALUMINUM ELBOW | 4 | BLK | 407.07 |
| ALUELB1-1/4X60X42 | 1 1/4X60X42 ALUMINUM ELBOW | 5 | BLK | 488.45 |
| ALUELB1-1/2X60X42 | 1 1/2X60X42 ALUMINUM ELBOW | 4 | BLK | 586.13 |
| ALUELB2X60X42 | 2X60X42 ALUMINUM ELBOW | 8 | BLK | 667.58 |
| ALUELB2-1/2X60X42 | 2 1/2X60X42 ALUMINUM ELBOW | 13 | BLK | 801.01 |
| ALUELB3X60X42 | 3X60X42 ALUMINUM ELBOW | 17 | BLK | 1,183.91 |
| ALUELB3-1/2X60X42 | 3 1/2X60X42 ALUMINUM ELBOW | 20 | BLK | 1,638.88 |
| ALUELB4X60X42 | 4X60X42 ALUMINUM ELBOW | 23 | BLK | 2,009.10 |
| ALUELB5X60X42 | 5X60X42 ALUMINUM ELBOW | 33 | BLK | 3,124.26 |
| ALUELB6X60X42 | 6X60X42 ALUMINUM ELBOW | 44 | BLK | 3,333.68 |
| ALUELB1X30X42 | 1X30X42 ALUMINUM ELBOW | 3 | BLK | 407.07 |
| ALUELB1-1/4X30X42 | 1 1/4X30X42 ALUMINUM ELBOW | 5 | BLK | 488.45 |
| ALUELB1-1/2X30X42 | 1 1/2X30X42 ALUMINUM ELBOW | 6 | BLK | 586.13 |
| ALUELB2X30X42 | 2X30X42 ALUMINUM ELBOW | 7 | BLK | 667.58 |
| ALUELB2-1/2X30X42 | 2 1/2X30X42 ALUMINUM ELBOW | 11 | BLK | 801.01 |
| ALUELB3X30X42 | 3X30X42 ALUMINUM ELBOW | 15 | BLK | 1,183.91 |
| ALUELB3-1/2X30X42 | 3 1/2X30X42 ALUMINUM ELBOW | 18 | BLK | 1,638.88 |
| ALUELB4X30X42 | 4X30X42 ALUMINUM ELBOW | 21 | BLK | 2,009.10 |
| ALUELB5X30X42 | 5X30X42 ALUMINUM ELBOW | 30 | BLK | 3,124.26 |
| ALUELB6X30X42 | 6X30X42 ALUMINUM ELBOW | 39 | BLK | 3,333.68 |
| ALUELB1X90X48 | 1X90X48 ALUMINUM ELBOW | 5 | BLK | 428.03 |
| ALUELB1-1/4X90X48 | 1 1/4X90X48 ALUMINUM ELBOW | 6 | BLK | 492.61 |
| ALUELB1-1/2X90X48 | 1 1/2X90X48 ALUMINUM ELBOW | 8 | BLK | 594.65 |
| ALUELB2X90X48 | 2X90X48 ALUMINUM ELBOW | 10 | BLK | 757.81 |
| ALUELB2-1/2X90X48 | 2 1/2X90X48 ALUMINUM ELBOW | 16 | BLK | 1,020.09 |
| ALUELB3X90X48 | 3X90X48 ALUMINUM ELBOW | 21 | BLK | 1,350.40 |
| ALUELB3-1/2X90X48 | 3 1/2X90X48 ALUMINUM ELBOW | 25 | BLK | 1,851.80 |
| ALUELB4X90X48 | 4X90X48 ALUMINUM ELBOW | 29 | BLK | 2,276.14 |
| ALUELB5X90X48 | 5X90X48 ALUMINUM ELBOW | 42 | BLK | 3,533.40 |
| ALUELB6X90X48 | 6X90X48 ALUMINUM ELBOW | 54 | BLK | 3,791.84 |

Continued next page

NOTES: Prices are available upon request for special sizes, bends, and lengths. Prices shown are for 90° elbows. Weights shown are approximate for 90° elbows. To arrive at weights for 60° elbows deduct 10%, for 45° elbows deduct 15%, and for 30° elbows deduct 20%.

**All products on this page are made to order. Consult factory for lead times.
All Aluminum elbows are noncancelable and nonreturnable.**



ALUMINUM SPECIAL RADIUS ELBOWS • PRICE GUIDE

ALUMINUM SPECIAL RADIUS ELBOWS

| CATALOG NUMBER | DESCRIPTION | APP WEIGHT (lbs) | STANDARD CARTON | LIST PRICE EACH |
|-------------------|----------------------------|------------------|-----------------|-----------------|
| ALUELB1X45X48 | 1X45X48 ALUMINUM ELBOW | 4 | BLK | 428.03 |
| ALUELB1-1/4X45X48 | 1 1/4X45X48 ALUMINUM ELBOW | 5 | BLK | 492.61 |
| ALUELB1-1/2X45X48 | 1 1/2X45X48 ALUMINUM ELBOW | 7 | BLK | 594.65 |
| ALUELB2X45X48 | 2X45X48 ALUMINUM ELBOW | 9 | BLK | 757.81 |
| ALUELB2-1/2X45X48 | 2 1/2X45X48 ALUMINUM ELBOW | 14 | BLK | 1,020.09 |
| ALUELB3X45X48 | 3X45X48 ALUMINUM ELBOW | 18 | BLK | 1,350.40 |
| ALUELB3-1/2X45X48 | 3 1/2X45X48 ALUMINUM ELBOW | 21 | BLK | 1,851.80 |
| ALUELB4X45X48 | 4X45X48 ALUMINUM ELBOW | 25 | BLK | 2,276.14 |
| ALUELB5X45X48 | 5X45X48 ALUMINUM ELBOW | 36 | BLK | 3,533.40 |
| ALUELB6X45X48 | 6X45X48 ALUMINUM ELBOW | 46 | BLK | 3,791.84 |
| ALUELB1X60X48 | 1X60X48 ALUMINUM ELBOW | 5 | BLK | 428.03 |
| ALUELB1-1/4X60X48 | 1 1/4X60X48 ALUMINUM ELBOW | 5 | BLK | 492.61 |
| ALUELB1-1/2X60X48 | 1 1/2X60X48 ALUMINUM ELBOW | 7 | BLK | 594.65 |
| ALUELB2X60X48 | 2X60X48 ALUMINUM ELBOW | 9 | BLK | 757.81 |
| ALUELB2-1/2X60X48 | 2 1/2X60X48 ALUMINUM ELBOW | 14 | BLK | 1,020.09 |
| ALUELB3X60X48 | 3X60X48 ALUMINUM ELBOW | 19 | BLK | 1,350.40 |
| ALUELB3-1/2X60X48 | 3 1/2X60X48 ALUMINUM ELBOW | 22 | BLK | 1,851.80 |
| ALUELB4X60X48 | 4X60X48 ALUMINUM ELBOW | 26 | BLK | 2,276.14 |
| ALUELB5X60X48 | 5X60X48 ALUMINUM ELBOW | 38 | BLK | 3,533.40 |
| ALUELB6X60X48 | 6X60X48 ALUMINUM ELBOW | 49 | BLK | 3,791.84 |
| ALUELB1X30X48 | 1X30X48 ALUMINUM ELBOW | 4 | BLK | 428.03 |
| ALUELB1-1/4X30X48 | 1 1/4X30X48 ALUMINUM ELBOW | 5 | BLK | 492.61 |
| ALUELB1-1/2X30X48 | 1 1/2X30X48 ALUMINUM ELBOW | 6 | BLK | 594.65 |
| ALUELB2X30X48 | 2X30X48 ALUMINUM ELBOW | 8 | BLK | 757.81 |
| ALUELB2-1/2X30X48 | 2 1/2X30X48 ALUMINUM ELBOW | 13 | BLK | 1,020.09 |
| ALUELB3X30X48 | 3X30X48 ALUMINUM ELBOW | 17 | BLK | 1,350.40 |
| ALUELB3-1/2X30X48 | 3 1/2X30X48 ALUMINUM ELBOW | 20 | BLK | 1,851.80 |
| ALUELB4X30X48 | 4X30X48 ALUMINUM ELBOW | 23 | BLK | 2,276.14 |
| ALUELB5X30X48 | 5X30X48 ALUMINUM ELBOW | 34 | BLK | 3,533.40 |
| ALUELB6X30X48 | 6X30X48 ALUMINUM ELBOW | 43 | BLK | 3,791.84 |

NOTES: Prices are available upon request for special sizes, bends, and lengths. Prices shown are for 90° elbows. Weights shown are approximate for 90° elbows. To arrive at weights for 60° elbows deduct 10%, for 45° elbows deduct 15%, and for 30° elbows deduct 20%.

**All products on this page are made to order. Consult factory for lead times.
All Aluminum elbows are noncancelable and nonreturnable.**



ALUMINUM CONDUIT NIPPLES • PRICE GUIDE

ALUMINUM CONDUIT NIPPLES

| CATALOG NUMBER | DESCRIPTION | WEIGHT PER 100 PIECES (lbs) | STANDARD CARTON | LIST PRICE PER 100 PIECES |
|-------------------|----------------------------------|-----------------------------|-----------------|---------------------------|
| ALUNIP1/2XCL | 1/2X1 1/8 (CL) ALUMINUM NIPPLE | 2 | 25 | 722.08 |
| ALUNIP3/4XCL | 3/4X13/8 (CL) ALUMINUM NIPPLE | 3 | 25 | 970.61 |
| ALUNIP1XCL | 1X1 1/2 (CL) ALUMINUM NIPPLE | 4 | 25 | 1,190.46 |
| ALUNIP1-1/4XCL | 1 1/4X1 5/8 (CL) ALUMINUM NIPPLE | 7 | 25 | 1,594.52 |
| ALUNIP1-1/2XCL | 1 1/2X1 3/4 (CL) ALUMINUM NIPPLE | 10 | 25 | 1,983.10 |
| ALUNIP2XCL | 2X2 (CL) ALUMINUM NIPPLE | 16 | 25 | 2,547.83 |
| ALUNIP2-1/2XCL | 2 1/2X2 1/2 (CL) ALUMINUM NIPPLE | 22 | 12 | 5,389.60 |
| ALUNIP3XCL | 3X2 5/8 (CL) ALUMINUM NIPPLE | 24 | 12 | 5,596.25 |
| ALUNIP3-1/2XCL | 3 1/2X2 3/4 (CL) ALUMINUM NIPPLE | 42 | 12 | 7,147.47 |
| ALUNIP4XCL | 4X2 7/8 (CL) ALUMINUM NIPPLE | 51 | 12 | 8,927.00 |
| ALUNIP5XCL | 5X3 (CL) ALUMINUM NIPPLE | 71 | BLK | 20,856.58 |
| ALUNIP6XCL | 6X3 1/8 (CL) ALUMINUM NIPPLE | 105 | BLK | 25,169.52 |
| ALUNIP1/2X1-1/2 | 1/2X1 1/2 ALUMINUM NIPPLE | 3 | 25 | 742.10 |
| ALUNIP3/4X1-1/2 | 3/4X1 1/2 ALUMINUM NIPPLE | 3 | 25 | 1,013.77 |
| ALUNIP1/2X2 | 1/2X2 ALUMINUM NIPPLE | 4 | 25 | 799.78 |
| ALUNIP3/4X2 | 3/4X2 ALUMINUM NIPPLE | 5 | 25 | 1,054.13 |
| ALUNIP1X2 | 1X2 ALUMINUM NIPPLE | 7 | 25 | 1,318.65 |
| ALUNIP1-1/4X2 | 1 1/4X2 ALUMINUM NIPPLE | 10 | 25 | 1,631.43 |
| ALUNIP1-1/2X2 | 1 1/2X2 ALUMINUM NIPPLE | 12 | 25 | 2,044.69 |
| ALUNIP1/2X2-1/2 | 1/2X2 1/2 ALUMINUM NIPPLE | 5 | 25 | 949.05 |
| ALUNIP3/4X2-1/2 | 3/4X2 1/2 ALUMINUM NIPPLE | 7 | 25 | 1,117.45 |
| ALUNIP1X2-1/2 | 1X2 1/2 ALUMINUM NIPPLE | 8 | 25 | 1,441.29 |
| ALUNIP1-1/4X2-1/2 | 1 1/4X2 1/2 ALUMINUM NIPPLE | 13 | 25 | 1,791.95 |
| ALUNIP1-1/2X2-1/2 | 1 1/2X2 1/2 ALUMINUM NIPPLE | 16 | 25 | 2,174.05 |
| ALUNIP2X2-1/2 | 2X2 1/2 ALUMINUM NIPPLE | 22 | 25 | 2,730.36 |
| ALUNIP1/2X3 | 1/2X3 ALUMINUM NIPPLE | 7 | 25 | 998.01 |
| ALUNIP3/4X3 | 3/4X3 ALUMINUM NIPPLE | 8 | 25 | 1,209.66 |
| ALUNIP1X3 | 1X3 ALUMINUM NIPPLE | 12 | 25 | 1,552.12 |
| ALUNIP1-1/4X3 | 1 1/4X3 ALUMINUM NIPPLE | 16 | 25 | 2,030.38 |
| ALUNIP1-1/2X3 | 1 1/2X3 ALUMINUM NIPPLE | 20 | 25 | 2,470.86 |
| ALUNIP2X3 | 2X3 ALUMINUM NIPPLE | 27 | 25 | 3,054.22 |
| ALUNIP2-1/2X3 | 2 1/2X3 ALUMINUM NIPPLE | 30 | 12 | 5,535.23 |
| ALUNIP3X3 | 3X3 ALUMINUM NIPPLE | 42 | 12 | 6,286.64 |
| ALUNIP1/2X3-1/2 | 1/2X3 1/2 ALUMINUM NIPPLE | 8 | 25 | 1,082.44 |
| ALUNIP3/4X3-1/2 | 3/4X3 1/2 ALUMINUM NIPPLE | 10 | 25 | 1,255.53 |
| ALUNIP1X3-1/2 | 1X3 1/2 ALUMINUM NIPPLE | 14 | 25 | 1,763.39 |
| ALUNIP1-1/4X3-1/2 | 1 1/4X3 1/2 ALUMINUM NIPPLE | 20 | 25 | 2,311.31 |
| ALUNIP1-1/2X3-1/2 | 1 1/2X3 1/2 ALUMINUM NIPPLE | 24 | 25 | 3,101.85 |
| ALUNIP2X3-1/2 | 2X3 1/2 ALUMINUM NIPPLE | 32 | 25 | 3,523.04 |
| ALUNIP2-1/2X3-1/2 | 2 1/2X3 1/2 ALUMINUM NIPPLE | 39 | 12 | 6,143.33 |
| ALUNIP3X3-1/2 | 3X3 1/2 ALUMINUM NIPPLE | 53 | 12 | 7,493.09 |

Continued next page

NOTES: For list prices on lengths up to 12" take next longer length listed.
 For broken carton nipple quantities add 20% to list price.
 For special length nipples longer than 12", contact factory for pricing.
 Nipples packed in carton quantities as shown and should be ordered accordingly.
 Bulk sizes are stocked and shipped in any quantities ordered.



ALUMINUM CONDUIT NIPPLES • PRICE GUIDE

ALUMINUM CONDUIT NIPPLES

| CATALOG NUMBER | DESCRIPTION | WEIGHT PER 100 PIECES (lbs) | STANDARD CARTON | LIST PRICE PER 100 PIECES |
|----------------|-------------------------|-----------------------------|-----------------|---------------------------|
| ALUNIP1/2X4 | 1/2 X4 ALUMINUM NIPPLE | 9 | 25 | 1,159.30 |
| ALUNIP3/4X4 | 3/4X4 ALUMINUM NIPPLE | 12 | 25 | 1,325.12 |
| ALUNIP1X4 | 1X4 ALUMINUM NIPPLE | 16 | 25 | 1,916.87 |
| ALUNIP1-1/4X4 | 1 1/4X4 ALUMINUM NIPPLE | 23 | 25 | 2,537.78 |
| ALUNIP1-1/2X4 | 1 1/2X4 ALUMINUM NIPPLE | 28 | 25 | 3,117.43 |
| ALUNIP2X4 | 2X4 ALUMINUM NIPPLE | 38 | 25 | 3,753.37 |
| ALUNIP2-1/2X4 | 2 1/2X4 ALUMINUM NIPPLE | 47 | 12 | 6,509.18 |
| ALUNIP3X4 | 3X4 ALUMINUM NIPPLE | 64 | 12 | 7,815.50 |
| ALUNIP3-1/2X4 | 3 1/2X4 ALUMINUM NIPPLE | 75 | 12 | 9,600.17 |
| ALUNIP4X4 | 4X4 ALUMINUM NIPPLE | 87 | 12 | 11,190.30 |
| ALUNIP1/2X5 | 1/2X5 ALUMINUM NIPPLE | 12 | 25 | 1,328.62 |
| ALUNIP3/4X5 | 3/4X5 ALUMINUM NIPPLE | 15 | 25 | 1,585.06 |
| ALUNIP1X5 | 1X5 ALUMINUM NIPPLE | 21 | 25 | 2,265.78 |
| ALUNIP1-1/4X5 | 1 1/4X5 ALUMINUM NIPPLE | 29 | 25 | 2,987.98 |
| ALUNIP1-1/2X5 | 1 1/2X5 ALUMINUM NIPPLE | 36 | 25 | 3,576.27 |
| ALUNIP2X5 | 2X5 ALUMINUM NIPPLE | 48 | 25 | 4,485.86 |
| ALUNIP2-1/2X5 | 2 1/2X5 ALUMINUM NIPPLE | 64 | 12 | 7,343.18 |
| ALUNIP3X5 | 3X5 ALUMINUM NIPPLE | 86 | 12 | 8,928.72 |
| ALUNIP3-1/2X5 | 3 1/2X5 ALUMINUM NIPPLE | 101 | 12 | 10,847.70 |
| ALUNIP4X5 | 4X5 ALUMINUM NIPPLE | 118 | 12 | 12,845.11 |
| ALUNIP5X5 | 5X5 ALUMINUM NIPPLE | 155 | BLK | 24,438.27 |
| ALUNIP6X5 | 6X5 ALUMINUM NIPPLE | 208 | BLK | 31,842.02 |
| ALUNIP1/2X6 | 1/2X6 ALUMINUM NIPPLE | 14 | 25 | 1,401.98 |
| ALUNIP3/4X6 | 3/4X6 ALUMINUM NIPPLE | 18 | 25 | 1,799.11 |
| ALUNIP1X6 | 1X6 ALUMINUM NIPPLE | 26 | 25 | 2,675.42 |
| ALUNIP1-1/4X6 | 1 1/4X6 ALUMINUM NIPPLE | 36 | 25 | 3,463.30 |
| ALUNIP1-1/2X6 | 1 1/2X6 ALUMINUM NIPPLE | 44 | 25 | 4,126.90 |
| ALUNIP2X6 | 2X6 ALUMINUM NIPPLE | 58 | 25 | 5,175.74 |
| ALUNIP2-1/2X6 | 2 1/2X6 ALUMINUM NIPPLE | 80 | 10 | 8,059.44 |
| ALUNIP3X6 | 3X6 ALUMINUM NIPPLE | 108 | 10 | 10,246.09 |
| ALUNIP3-1/2X6 | 3 1/2X6 ALUMINUM NIPPLE | 128 | 5 | 12,509.33 |
| ALUNIP4X6 | 4X6 ALUMINUM NIPPLE | 149 | 5 | 14,892.35 |
| ALUNIP5X6 | 5X6 ALUMINUM NIPPLE | 197 | BLK | 25,634.97 |
| ALUNIP6X6 | 6X6 ALUMINUM NIPPLE | 263 | BLK | 34,283.63 |

Continued next page

NOTES: For list prices on lengths up to 12" take next longer length listed.
 For broken carton nipple quantities add 20% to list price.
 For special length nipples longer than 12", contact factory for pricing.
 Nipples packed in carton quantities as shown and should be ordered accordingly.
 Bulk sizes are stocked and shipped in any quantities ordered.



ALUMINUM CONDUIT NIPPLES • PRICE GUIDE

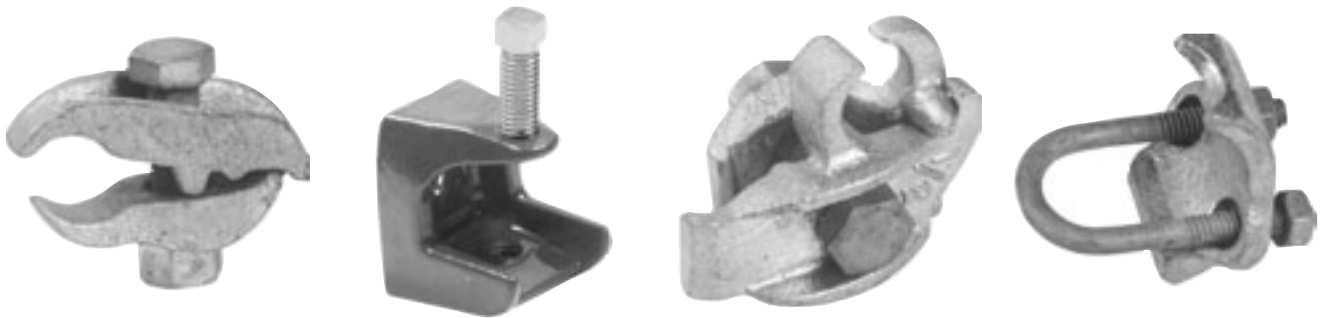
ALUMINUM CONDUIT NIPPLES

| CATALOG NUMBER | DESCRIPTION | WEIGHT PER 100 PIECES (lbs) | STANDARD CARTON | LIST PRICE PER 100 PIECES |
|----------------|--------------------------|-----------------------------|-----------------|---------------------------|
| ALUNIP1/2X8 | 1/2X8 ALUMINUM NIPPLE | 19 | 25 | 1,876.75 |
| ALUNIP3/4X8 | 3/4X8 ALUMINUM NIPPLE | 25 | 25 | 2,368.49 |
| ALUNIP1X8 | 1X8 ALUMINUM NIPPLE | 36 | 25 | 3,322.11 |
| ALUNIP1-1/4X8 | 1 1/4X8 ALUMINUM NIPPLE | 49 | 10 | 4,410.71 |
| ALUNIP1-1/2X8 | 1 1/2X8 ALUMINUM NIPPLE | 59 | 10 | 5,309.50 |
| ALUNIP2X8 | 2X8 ALUMINUM NIPPLE | 78 | 10 | 6,612.53 |
| ALUNIP2-1/2X8 | 2 1/2X8 ALUMINUM NIPPLE | 114 | 5 | 10,193.09 |
| ALUNIP3X8 | 3X8 ALUMINUM NIPPLE | 152 | 5 | 13,042.18 |
| ALUNIP3-1/2X8 | 3 1/2X8 ALUMINUM NIPPLE | 180 | 5 | 15,573.30 |
| ALUNIP4X8 | 4X8 ALUMINUM NIPPLE | 212 | 3 | 18,912.34 |
| ALUNIP5X8 | 5X8 ALUMINUM NIPPLE | 281 | BLK | 32,679.31 |
| ALUNIP6X8 | 6X8 ALUMINUM NIPPLE | 372 | BLK | 43,708.25 |
| ALUNIP1/2X10 | 1/2X10 ALUMINUM NIPPLE | 24 | 25 | 2,283.25 |
| ALUNIP3/4X10 | 3/4X10 ALUMINUM NIPPLE | 31 | 25 | 2,772.30 |
| ALUNIP1X10 | 1X10 ALUMINUM NIPPLE | 45 | 25 | 4,178.67 |
| ALUNIP1-1/4X10 | 1 1/4X10 ALUMINUM NIPPLE | 62 | 10 | 5,377.16 |
| ALUNIP1-1/2X10 | 1 1/2X10 ALUMINUM NIPPLE | 74 | 10 | 6,473.71 |
| ALUNIP2X10 | 2X10 ALUMINUM NIPPLE | 100 | 10 | 8,054.48 |
| ALUNIP2-1/2X10 | 2 1/2X10 ALUMINUM NIPPLE | 148 | 5 | 12,335.77 |
| ALUNIP3X10 | 3X10 ALUMINUM NIPPLE | 196 | 5 | 15,885.10 |
| ALUNIP3-1/2X10 | 3 1/2X10 ALUMINUM NIPPLE | 234 | 4 | 19,243.14 |
| ALUNIP4X10 | 4X10 ALUMINUM NIPPLE | 274 | 4 | 22,974.57 |
| ALUNIP5X10 | 5X10 ALUMINUM NIPPLE | 366 | BLK | 39,245.01 |
| ALUNIP6X10 | 6X10 ALUMINUM NIPPLE | 481 | BLK | 52,482.23 |
| ALUNIP1/2X12 | 1/2X12 ALUMINUM NIPPLE | 29 | 25 | 2,635.80 |
| ALUNIP3/4X12 | 3/4X12 ALUMINUM NIPPLE | 38 | 25 | 3,402.57 |
| ALUNIP1X12 | 1X12 ALUMINUM NIPPLE | 55 | 25 | 4,947.12 |
| ALUNIP1-1/4X12 | 1 1/4X12 ALUMINUM NIPPLE | 75 | 10 | 6,306.21 |
| ALUNIP1-1/2X12 | 1 1/2X12 ALUMINUM NIPPLE | 90 | 10 | 7,583.36 |
| ALUNIP2X12 | 2X12 ALUMINUM NIPPLE | 120 | 10 | 9,514.14 |
| ALUNIP2-1/2X12 | 2 1/2X12 ALUMINUM NIPPLE | 180 | 5 | 14,334.85 |
| ALUNIP3X12 | 3X12 ALUMINUM NIPPLE | 240 | 5 | 18,642.27 |
| ALUNIP3-1/2X12 | 3 1/2X12 ALUMINUM NIPPLE | 286 | 4 | 22,468.86 |
| ALUNIP4X12 | 4X12 ALUMINUM NIPPLE | 336 | 4 | 26,941.84 |
| ALUNIP5X12 | 5X12 ALUMINUM NIPPLE | 450 | BLK | 45,117.39 |
| ALUNIP6X12 | 6X12 ALUMINUM NIPPLE | 591 | BLK | 57,826.48 |

NOTES: For list prices on lengths up to 12" take next longer length listed.
 For broken carton nipple quantities add 20% to list price.
 For special length nipples longer than 12", contact factory for pricing.
 Nipples packed in carton quantities as shown and should be ordered accordingly.
 Bulk sizes are stocked and shipped in any quantities ordered.

ORIGINAL KORNS CLAMPS

**FOR CONDUIT, STRUT, AND
CABLE TRAY SUPPORT SYSTEMS**



ECN KORNS
ROBROY INDUSTRIES

3159 Wilkes Power Plant Rd.
Avinger, Texas 75630
Telephone: 903/562-1342
Fax: 903/562-1711

HOT DIP GALVANIZED CLAMPS AND CONDUIT SUPPORT • PRICE GUIDE

THE ORIGINAL KORNS CLAMP

Malleable iron—

Hot dip galvanized—standard. Also available with various grades of stainless steel hardware. Contact Korn's representative or factory for pricing.



RIGHT ANGLE CONDUIT SUPPORTS

| CATALOG NUMBER | DESCRIPTION | WEIGHT PER 100 PIECES (lbs) | STANDARD CARTON | LIST PRICE PER 100 PIECES |
|----------------|-------------------------|-----------------------------|-----------------|---------------------------|
| KNRA-3/8 | 3/8 RIGHT ANGLE CLAMP | 25 | 50 | 229.40 |
| KNRA-1/2 | 1/2 RIGHT ANGLE CLAMP | 40 | 50 | 221.99 |
| KNRA-3/4 | 3/4 RIGHT ANGLE CLAMP | 43 | 50 | 231.98 |
| KNRA-1 | 1 RIGHT ANGLE CLAMP | 48 | 25 | 255.93 |
| KNRA-1-1/4 | 1 1/4 RIGHT ANGLE CLAMP | 53 | 25 | 287.39 |
| KNRA-1-1/2 | 1 1/2 RIGHT ANGLE CLAMP | 58 | 25 | 321.44 |
| KNRA-2 | 2 RIGHT ANGLE CLAMP | 85 | 25 | 467.78 |
| KNRA-2-1/2 | 2 1/2 RIGHT ANGLE CLAMP | 106 | 20 | 578.19 |
| KNRA-3 | 3 RIGHT ANGLE CLAMP | 110 | 15 | 628.64 |
| KNRA-3-1/2 | 3 1/2 RIGHT ANGLE CLAMP | 128 | 15 | 810.20 |
| KNRA-4 | 4 RIGHT ANGLE CLAMP | 140 | 10 | 880.78 |
| KNRA-5 | 5 RIGHT ANGLE CLAMP | 330 | 5 | 1,852.75 |
| KNRA-6 | 6 RIGHT ANGLE CLAMP | 375 | 5 | 2,774.81 |

PARALLEL CONDUIT SUPPORTS



| CATALOG NUMBER | DESCRIPTION | WEIGHT PER 100 PIECES (lbs) | STANDARD CARTON | LIST PRICE PER 100 PIECES |
|----------------|----------------------|-----------------------------|-----------------|---------------------------|
| KNPAR-3/8 | 3/8 PARALLEL CLAMP | 32 | 50 | 292.37 |
| KNPAR-1/2 | 1/2 PARALLEL CLAMP | 58 | 40 | 319.37 |
| KNPAR-3/4 | 3/4 PARALLEL CLAMP | 64 | 30 | 349.37 |
| KNPAR-1 | 1 PARALLEL CLAMP | 70 | 30 | 394.25 |
| KNPAR-1-1/4 | 1 1/4 PARALLEL CLAMP | 72 | 25 | 475.70 |
| KNPAR-1-1/2 | 1 1/2 PARALLEL CLAMP | 93 | 20 | 535.95 |
| KNPAR-2 | 2 PARALLEL CLAMP | 100 | 20 | 699.23 |
| KNPAR-2-1/2 | 2 1/2 PARALLEL CLAMP | 135 | 15 | 860.46 |
| KNPAR-3 | 3 PARALLEL CLAMP | 155 | 10 | 1,057.71 |
| KNPAR-3-1/2 | 3 1/2 PARALLEL CLAMP | 190 | 10 | 1,214.63 |
| KNPAR-4 | 4 PARALLEL CLAMP | 205 | 10 | 1,349.83 |

EDGE TYPE CONDUIT SUPPORTS



| CATALOG NUMBER | DESCRIPTION | WEIGHT PER 100 PIECES (lbs) | STANDARD CARTON | LIST PRICE PER 100 PIECES |
|----------------|------------------|-----------------------------|-----------------|---------------------------|
| KNET-1/2 | 1/2 EDGE CLAMP | 67 | 30 | 438.34 |
| KNET-3/4 | 3/4 EDGE CLAMP | 71 | 30 | 465.81 |
| KNET-1 | 1 EDGE CLAMP | 85 | 20 | 537.95 |
| KNET-1-1/4 | 1 1/4 EDGE CLAMP | 91 | 20 | 640.06 |
| KNET-1-1/2 | 1 1/2 EDGE CLAMP | 115 | 20 | 712.35 |
| KNET-2 | 2 EDGE CLAMP | 135 | 15 | 867.73 |
| KNET-2-1/2 | 2 1/2 EDGE CLAMP | 183 | 10 | 1,103.03 |
| KNET-3 | 3 EDGE CLAMP | 230 | 5 | 1,319.52 |

STAINLESS STEEL CLAMPS AND CONDUIT SUPPORT • PRICE GUIDE

THE ORIGINAL KORN'S CLAMPS WITH STAINLESS STEEL HARDWARE

Malleable iron—

Hot dip galvanized with 316 stainless steel hardware.



RIGHT ANGLE CONDUIT SUPPORTS – STAINLESS STEEL

| CATALOG NUMBER | DESCRIPTION | WEIGHT PER 100 PIECES (lbs) | STANDARD CARTON | LIST PRICE PER 100 PIECES |
|----------------|---|-----------------------------|-----------------|---------------------------|
| KNRA-1/2-GS | 1/2 STAINLESS STEEL RIGHT ANGLE CLAMP | 40 | 50 | 789.85 |
| KNRA-3/4-GS | 3/4 STAINLESS STEEL RIGHT ANGLE CLAMP | 43 | 50 | 810.88 |
| KNRA-1-GS | 1 STAINLESS STEEL RIGHT ANGLE CLAMP | 48 | 25 | 842.41 |
| KNRA-1-1/4-GS | 1 1/4 STAINLESS STEEL RIGHT ANGLE CLAMP | 53 | 25 | 889.69 |
| KNRA-1-1/2-GS | 1 1/2 STAINLESS STEEL RIGHT ANGLE CLAMP | 58 | 25 | 898.45 |
| KNRA-2-GS | 2 STAINLESS STEEL RIGHT ANGLE CLAMP | 85 | 25 | 1,350.30 |
| KNRA-2-1/2-GS | 2 1/2 STAINLESS STEEL RIGHT ANGLE CLAMP | 106 | 20 | 1,534.18 |
| KNRA-3-GS | 3 STAINLESS STEEL RIGHT ANGLE CLAMP | 110 | 15 | 1,649.76 |
| KNRA-3-1/2-GS | 3 1/2 STAINLESS STEEL RIGHT ANGLE CLAMP | 128 | 15 | 1,865.21 |
| KNRA-4-GS | 4 STAINLESS STEEL RIGHT ANGLE CLAMP | 140 | 10 | 2,015.80 |
| KNRA-5-GS | 5 STAINLESS STEEL RIGHT ANGLE CLAMP | 330 | 5 | 5,366.15 |
| KNRA-6-GS | 6 STAINLESS STEEL RIGHT ANGLE CLAMP | 375 | 5 | 6,621.86 |



PARALLEL CONDUIT SUPPORTS – STAINLESS STEEL

| CATALOG NUMBER | DESCRIPTION | WEIGHT PER 100 PIECES (lbs) | STANDARD CARTON | LIST PRICE PER 100 PIECES |
|----------------|--------------------------------------|-----------------------------|-----------------|---------------------------|
| KNPAR-1/2-GS | 1/2 STAINLESS STEEL PARALLEL CLAMP | 58 | 40 | 770.60 |
| KNPAR-3/4-GS | 3/4 STAINLESS STEEL PARALLEL CLAMP | 64 | 30 | 777.62 |
| KNPAR-1-GS | 1 STAINLESS STEEL PARALLEL CLAMP | 70 | 30 | 814.37 |
| KNPAR-1-1/4-GS | 1 1/4 STAINLESS STEEL PARALLEL CLAMP | 72 | 25 | 1,059.57 |
| KNPAR-1-1/2-GS | 1 1/2 STAINLESS STEEL PARALLEL CLAMP | 93 | 20 | 1,113.87 |
| KNPAR-2-GS | 2 STAINLESS STEEL PARALLEL CLAMP | 100 | 20 | 1,303.00 |
| KNPAR-2-1/2-GS | 2 1/2 STAINLESS STEEL PARALLEL CLAMP | 135 | 15 | 1,450.12 |
| KNPAR-3-GS | 3 STAINLESS STEEL PARALLEL CLAMP | 155 | 5 | 1,737.34 |
| KNPAR-3-1/2-GS | 3 1/2 STAINLESS STEEL PARALLEL CLAMP | 190 | 10 | 2,549.97 |
| KNPAR-4-GS | 4 STAINLESS STEEL PARALLEL CLAMP | 205 | 10 | 2,697.08 |



EDGE TYPE CONDUIT SUPPORTS – STAINLESS STEEL

| CATALOG NUMBER | DESCRIPTION | WEIGHT PER 100 PIECES (lbs) | STANDARD CARTON | LIST PRICE PER 100 PIECES |
|----------------|----------------------------------|-----------------------------|-----------------|---------------------------|
| KNET-1/2-GS | 1/2 STAINLESS STEEL EDGE CLAMP | 67 | 30 | 1,029.81 |
| KNET-3/4-GS | 3/4 STAINLESS STEEL EDGE CLAMP | 71 | 30 | 1,043.80 |
| KNET-1-GS | 1 STAINLESS STEEL EDGE CLAMP | 85 | 20 | 1,071.83 |
| KNET-1-1/4-GS | 1 1/4 STAINLESS STEEL EDGE CLAMP | 91 | 20 | 1,485.15 |
| KNET-1-1/2-GS | 1 1/2 STAINLESS STEEL EDGE CLAMP | 115 | 20 | 1,504.42 |
| KNET-2-GS | 2 STAINLESS STEEL EDGE CLAMP | 135 | 15 | 1,604.25 |
| KNET-2-1/2-GS | 2 1/2 STAINLESS STEEL EDGE CLAMP | 183 | 25 | 1,681.31 |
| KNET-3-GS | 3 STAINLESS STEEL EDGE CLAMP | 230 | 5 | 1,965.02 |

U-BOLTS • PRICE GUIDE

HOT DIP GALVANIZED U-BOLTS



One nut each leg—
Hot dip galvanized—standard.

| CATALOG NUMBER | DESCRIPTION | WEIGHT PER 100 PIECES (lbs) | STANDARD CARTON | LIST PRICE PER 100 PIECES |
|----------------|-------------|-----------------------------|-----------------|---------------------------|
| KNUB-3/8 | 3/8 UBOLT | 6 | 100 | 61.34 |
| KNUB-1/2 | 1/2 UBOLT | 13 | 100 | 73.91 |
| KNUB-3/4 | 3/4 UBOLT | 14 | 100 | 90.76 |
| KNUB-1 | 1 UBOLT | 15 | 100 | 100.90 |
| KNUB-1-1/4 | 1 1/4 UBOLT | 16 | 100 | 115.40 |
| KNUB-1-1/2 | 1 1/2 UBOLT | 18 | 100 | 120.81 |
| KNUB-2 | 2 UBOLT | 30 | 100 | 184.33 |
| KNUB-2-1/2 | 2 1/2 UBOLT | 34 | 100 | 207.70 |
| KNUB-3 | 3 UBOLT | 38 | 50 | 223.06 |
| KNUB-3-1/2 | 3 1/2 UBOLT | 40 | 25 | 246.91 |
| KNUB-4 | 4 UBOLT | 45 | 25 | 302.94 |
| KNUB-5 | 5 UBOLT | 95 | 25 | 632.72 |
| KNUB-6 | 6 UBOLT | 108 | 25 | 854.97 |

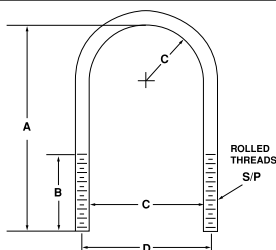
STAINLESS STEEL U-BOLTS



One stainless steel nut each leg

| CATALOG NUMBER | DESCRIPTION | WEIGHT PER 100 PIECES (lbs) | STANDARD CARTON | LIST PRICE PER 100 PIECES |
|----------------|-----------------------------|-----------------------------|-----------------|---------------------------|
| KNUB-3/8-SS | 3/8 STAINLESS STEEL UBOLT | 6 | 100 | 434.34 |
| KNUB-1/2-SS | 1/2 STAINLESS STEEL UBOLT | 13 | 100 | 556.93 |
| KNUB-3/4-SS | 3/4 STAINLESS STEEL UBOLT | 14 | 100 | 570.94 |
| KNUB-1-SS | 1 STAINLESS STEEL UBOLT | 15 | 100 | 581.45 |
| KNUB-1-1/4-SS | 1 1/4 STAINLESS STEEL UBOLT | 16 | 100 | 588.46 |
| KNUB-1-1/2-SS | 1 1/2 STAINLESS STEEL UBOLT | 18 | 100 | 595.46 |
| KNUB-2-SS | 2 STAINLESS STEEL UBOLT | 30 | 100 | 865.17 |
| KNUB-2-1/2-SS | 2 1/2 STAINLESS STEEL UBOLT | 34 | 100 | 935.23 |
| KNUB-3-SS | 3 STAINLESS STEEL UBOLT | 38 | 50 | 1,001.77 |
| KNUB-3-1/2-SS | 3 1/2 STAINLESS STEEL UBOLT | 40 | 25 | 1,056.07 |
| KNUB-4-SS | 4 STAINLESS STEEL UBOLT | 45 | 25 | 1,099.85 |
| KNUB-5-SS | 5 STAINLESS STEEL UBOLT | 95 | 25 | 3,436.16 |
| KNUB-6-SS | 6 STAINLESS STEEL UBOLT | 108 | 25 | 3,791.69 |

Stainless Steel U-Bolts are non-cancelable and non-returnable.



| Size | A | B | C | D | S/P * | R |
|--------|------|------|------|------|-----------|-------|
| 3/8" | N/A | N/A | N/A | N/A | 1/4 - 20 | N/A |
| 1/2" | 2.41 | 1.50 | .85 | 1.16 | 5/16 - 18 | .443 |
| 3/4" | 2.73 | 1.50 | 1.11 | 1.42 | 5/16 - 18 | .573 |
| 1" | 3.04 | 1.50 | 1.41 | 1.72 | 5/16 - 18 | .723 |
| 1 1/4" | 3.16 | 1.50 | 1.75 | 2.06 | 5/16 - 18 | .893 |
| 1 1/2" | 3.48 | 1.50 | 2.03 | 2.34 | 5/16 - 18 | 1.033 |
| 2" | 4.30 | 1.75 | 2.50 | 2.88 | 3/8 - 16 | 1.275 |
| 2 1/2" | 4.80 | 1.75 | 3.03 | 3.40 | 3/8 - 16 | 1.535 |
| 3" | 5.36 | 1.75 | 3.67 | 4.04 | 3/8 - 16 | 1.855 |
| 3 1/2" | 5.80 | 1.75 | 4.15 | 4.52 | 3/8 - 16 | 2.095 |
| 4" | 6.50 | 1.75 | 4.53 | 4.90 | 3/8 - 16 | 2.285 |
| 5" | 7.88 | 2.50 | 5.75 | 6.25 | 1/2 - 13 | 2.902 |
| 6" | 8.88 | 2.50 | 6.81 | 7.31 | 1/2 - 13 | 3.432 |

*thread size and pitch

CLAMPS AND CONDUIT SUPPORTS • PRICE GUIDE

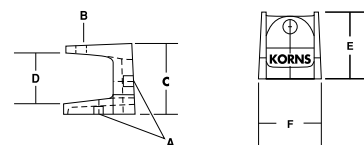
BEAM CLAMPS



Malleable iron with steel set screw—
Hot Dip Galvanized— Standard

| CATALOG NUMBER | DESCRIPTION | WEIGHT PER 100 PIECES (lbs) | STANDARD CARTON | LIST PRICE PER 100 PIECES |
|----------------|----------------|-----------------------------|-----------------|---------------------------|
| KNKBC-101 | 101 BEAM CLAMP | 25 | 25 | 124.66 |
| KNKBC-102 | 102 BEAM CLAMP | 50 | 25 | 352.41 |
| KNKBC-103 | 103 BEAM CLAMP | 95 | 10 | 482.59 |
| KNKBC-104 | 104 BEAM CLAMP | 195 | 10 | 717.53 |

| SIZE | TRADE DIMENSIONS (INCHES) | | | | | |
|-------|---------------------------|---------|-------|-------|-------|-------|
| | A | B | C | D | E | F |
| 1 | 1/4-20 | 5/16-18 | 1 1/2 | 1 | 1 1/4 | 1 |
| 1 1/2 | 5/16-18 | 3/8-16 | 1 3/4 | 1 | 1 5/8 | 1 1/2 |
| 2 | 3/8-16 | 1/2-13 | 2 1/8 | 1 3/8 | 2 | 2 |
| 2 1/2 | 1/2-13 | 1/2-13 | 2 1/4 | 1 3/8 | 2 1/2 | 2 3/4 |



ONE-HOLE STRAPS



Malleable iron—Rigid/IMC
Hot dip galvanized—standard.

| CATALOG NUMBER | DESCRIPTION | WEIGHT PER 100 PIECES (lbs) | STANDARD CARTON | LIST PRICE PER 100 PIECES |
|----------------|----------------------|-----------------------------|-----------------|---------------------------|
| KNOHK-1/2 | 1/2 ONE HOLE STRAP | 6 | 50 | 53.00 |
| KNOHK-3/4 | 3/4 ONE HOLE STRAP | 9 | 50 | 63.86 |
| KNOHK-1 | 1 ONE HOLE STRAP | 12 | 50 | 92.91 |
| KNOHK-1-1/4 | 1 1/4 ONE HOLE STRAP | 20 | 25 | 163.36 |
| KNOHK-1-1/2 | 1 1/2 ONE HOLE STRAP | 28 | 25 | 197.47 |
| KNOHK-2 | 2 ONE HOLE STRAP | 63 | 25 | 360.74 |
| KNOHK-2-1/2 | 2 1/2 ONE HOLE STRAP | 104 | 25 | 766.50 |
| KNOHK-3 | 3 ONE HOLE STRAP | 126 | 25 | 1,080.95 |
| KNOHK-3-1/2 | 3 1/2 ONE HOLE STRAP | 156 | 10 | 1,507.74 |
| KNOHK-4 | 4 ONE HOLE STRAP | 231 | 10 | 3,363.41 |

CLAMPBACK SPACERS



Malleable iron—Rigid/IMC
Hot dip galvanized—standard.

| CATALOG NUMBER | DESCRIPTION | WEIGHT PER 100 PIECES (lbs) | STANDARD CARTON | LIST PRICE PER 100 PIECES |
|----------------|------------------------|-----------------------------|-----------------|---------------------------|
| KNCSK-1/2 | 1/2 CLAMPBACK SPACER | 8 | 50 | 78.67 |
| KNCSK-3/4 | 3/4 CLAMPBACK SPACER | 9 | 50 | 90.30 |
| KNCSK-1 | 1 CLAMPBACK SPACER | 15 | 50 | 135.67 |
| KNCSK-1-1/4 | 1 1/4 CLAMPBACK SPACER | 16 | 25 | 202.44 |
| KNCSK-1-1/2 | 1 1/2 CLAMPBACK SPACER | 22 | 25 | 260.78 |
| KNCSK-2 | 2 CLAMPBACK SPACER | 43 | 25 | 423.61 |
| KNCSK-2-1/2 | 2 1/2 CLAMPBACK SPACER | 51 | 25 | 758.63 |
| KNCSK-3 | 3 CLAMPBACK SPACER | 71 | 25 | 1,190.98 |
| KNCSK-3-1/2 | 3 1/2 CLAMPBACK SPACER | 101 | 10 | 1,606.85 |
| KNCSK-4 | 4 CLAMPBACK SPACER | 124 | 10 | 3,589.01 |



APPENDIX

Article 310 – Conductors for General Wiring

Table 310.16 Allowable ampacities of insulated conductors rated 0 through 2000 volts, 60°C through 90°C (140°F through 194°F), not more than three current-carrying conductors in raceway, cable, or earth (directly buried), based on ambient temperature of 30°C (86°F)

| Size AWG or kcmil | Temperature Rating of Conductors | | | | | | Size AWG or kcmil |
|-------------------|----------------------------------|---|--|----------------------------------|---------------------------------------|--|-------------------|
| | 60°C - (140°F) | 75°C - (167°F) | 90°C - (194°F) | 60°C - (140°F) | 75°C - (167°F) | 90°C - (194°F) | |
| | Types TW, UF | Types RHW, THHW, THW, THWN, XHHW, USE, ZW | Types TBS, SA, SIS, FEP, FEPB, MI, RHH, RHW-2, THHN, THHW, THW-2, THWN-2, USE-2, XHH, XHHW, XHHW-2, ZW-2 | Types TW, UF | Types RHW, THHW, THW, THWN, XHHW, USE | Types TBS, SA SIS, THHN, THHW, THW-2, THWN-2, RHH, RHW-2, USE-2, XHH, XHHW, XHHW-2, ZW-2 | |
| | COPPER | | | ALUMINUM OR COPPER-CLAD ALUMINUM | | | |
| 18 | | | 14 | | | | |
| 16 | | | 18 | | | | |
| 14* | 20 | 20 | 25 | | | | |
| 12* | 25 | 25 | 30 | 20 | 20 | 25 | 12* |
| 10* | 30 | 35 | 40 | 25 | 30 | 35 | 10* |
| 8 | 40 | 50 | 55 | 30 | 40 | 45 | 8 |
| 6 | 55 | 65 | 75 | 40 | 50 | 60 | 6 |
| 4 | 70 | 85 | 95 | 55 | 65 | 75 | 4 |
| 3 | 85 | 100 | 110 | 65 | 75 | 85 | 3 |
| 2 | 95 | 115 | 130 | 75 | 90 | 100 | 2 |
| 1 | 110 | 130 | 150 | 85 | 100 | 115 | 1 |
| 1/0 | 125 | 150 | 170 | 100 | 120 | 135 | 1/0 |
| 2/0 | 145 | 175 | 195 | 115 | 135 | 150 | 2/0 |
| 3/0 | 165 | 200 | 225 | 130 | 155 | 175 | 3/0 |
| 4/0 | 195 | 230 | 260 | 150 | 180 | 205 | 4/0 |
| 250 | 215 | 255 | 290 | 170 | 205 | 230 | 250 |
| 300 | 240 | 285 | 320 | 190 | 230 | 255 | 300 |
| 350 | 260 | 310 | 350 | 210 | 250 | 280 | 350 |
| 400 | 280 | 335 | 380 | 225 | 270 | 305 | 400 |
| 500 | 320 | 380 | 430 | 260 | 310 | 350 | 500 |
| 600 | 355 | 420 | 475 | 285 | 340 | 385 | 600 |
| 700 | 385 | 460 | 520 | 310 | 375 | 420 | 700 |
| 750 | 400 | 475 | 535 | 320 | 385 | 435 | 750 |
| 800 | 410 | 490 | 555 | 330 | 395 | 450 | 800 |
| 900 | 435 | 520 | 585 | 355 | 425 | 480 | 900 |
| 1000 | 455 | 545 | 615 | 375 | 445 | 500 | 1000 |
| 1250 | 495 | 590 | 665 | 405 | 485 | 545 | 1250 |
| 1500 | 520 | 625 | 705 | 435 | 520 | 585 | 1500 |
| 1750 | 545 | 650 | 735 | 455 | 545 | 615 | 1750 |
| 2000 | 560 | 665 | 750 | 470 | 560 | 630 | 2000 |

CORRECTION FACTORS

| Ambient Temp.(oC) | For ambient temperatures other than 30°C (86°F), multiply the allowable ampacities shown above by the appropriate factor shown below. | | | | | | Ambient Temp.(oF) |
|--------------------|---|------|------|------|------|------|--------------------|
| | | | | | | | |
| 21 - 25 | 1.08 | 1.05 | 1.04 | 1.08 | 1.05 | 1.04 | 70 - 77 |
| 26 - 30 | 1.00 | 1.00 | 1.00 | 1.00 | 1.00 | 1.00 | 78 - 86 |
| 31 - 35 | 0.91 | 0.94 | 0.96 | 0.91 | 0.94 | 0.96 | 87 - 95 |
| 36 - 40 | 0.82 | 0.88 | 0.91 | 0.82 | 0.88 | 0.91 | 96 - 104 |
| 41 - 45 | 0.71 | 0.82 | 0.87 | 0.71 | 0.82 | 0.87 | 105 - 113 |
| 46 - 50 | 0.58 | 0.75 | 0.82 | 0.58 | 0.75 | 0.82 | 114 - 122 |
| 51 - 55 | 0.41 | 0.67 | 0.76 | 0.41 | 0.67 | 0.76 | 123 - 131 |
| 56 - 60 | | 0.58 | 0.71 | | 0.58 | 0.71 | 132 - 140 |
| 61 - 70 | | 0.33 | 0.58 | | 0.33 | 0.58 | 141 - 158 |
| 71 - 80 | | | 0.41 | | | 0.41 | 159 - 176 |

APPENDIX

Table C8 – Maximum Number of Conductors or Fixture Wires in Rigid Metal Conduit (RMC) (Based on Table 1, Chapter 9)

| Type | Conductor Size (AWG/kcmil) | Metric Designator (Trade Size) | | | | | | | | | | | | | |
|-------------------------------|----------------------------------|--------------------------------|-----|----|-------|-------|----|-------|-----|-------|-----|-----|-----|--|--|
| | | 16 | 21 | 27 | 35 | 41 | 53 | 63 | 78 | 91 | 103 | 129 | 155 | | |
| | | 1/2 | 3/4 | 1 | 1 1/4 | 1 1/2 | 2 | 2 1/2 | 3 | 3 1/2 | 4 | 5 | 6 | | |
| RHH, RHW, RHW-2 | 14 | 4 | 7 | 12 | 21 | 28 | 46 | 66 | 102 | 136 | 176 | 276 | 398 | | |
| | 12 | 3 | 6 | 10 | 17 | 23 | 38 | 55 | 85 | 113 | 146 | 229 | 330 | | |
| | 10 | 3 | 5 | 8 | 14 | 19 | 31 | 44 | 68 | 91 | 118 | 185 | 267 | | |
| | 8 | 1 | 2 | 4 | 7 | 10 | 16 | 23 | 36 | 48 | 61 | 97 | 139 | | |
| | 6 | 1 | 1 | 3 | 6 | 8 | 13 | 18 | 29 | 38 | 49 | 77 | 112 | | |
| | 4 | 1 | 1 | 2 | 4 | 6 | 10 | 14 | 22 | 30 | 38 | 60 | 87 | | |
| | 3 | 1 | 1 | 2 | 4 | 5 | 9 | 12 | 19 | 26 | 34 | 53 | 76 | | |
| | 2 | 1 | 1 | 1 | 3 | 4 | 7 | 11 | 17 | 23 | 29 | 46 | 66 | | |
| | 1 | 0 | 1 | 1 | 1 | 3 | 5 | 7 | 11 | 15 | 19 | 30 | 44 | | |
| | 1/0 | 0 | 1 | 1 | 1 | 2 | 4 | 6 | 10 | 13 | 17 | 26 | 38 | | |
| | 2/0 | 0 | 1 | 1 | 1 | 2 | 4 | 5 | 8 | 11 | 14 | 23 | 33 | | |
| | 3/0 | 0 | 0 | 1 | 1 | 1 | 3 | 4 | 7 | 10 | 12 | 20 | 28 | | |
| | 4/0 | 0 | 0 | 1 | 1 | 1 | 3 | 4 | 6 | 8 | 11 | 17 | 24 | | |
| | 250 | 0 | 0 | 0 | 1 | 1 | 1 | 3 | 4 | 6 | 8 | 13 | 18 | | |
| | 300 | 0 | 0 | 0 | 1 | 1 | 1 | 2 | 4 | 5 | 7 | 11 | 16 | | |
| | 350 | 0 | 0 | 0 | 1 | 1 | 1 | 2 | 4 | 5 | 6 | 10 | 15 | | |
| | 400 | 0 | 0 | 0 | 1 | 1 | 1 | 1 | 3 | 4 | 6 | 9 | 13 | | |
| | 500 | 0 | 0 | 0 | 1 | 1 | 1 | 1 | 3 | 4 | 5 | 8 | 11 | | |
| | 600 | 0 | 0 | 0 | 0 | 1 | 1 | 1 | 2 | 3 | 4 | 6 | 9 | | |
| | 700 | 0 | 0 | 0 | 0 | 1 | 1 | 1 | 1 | 3 | 4 | 6 | 8 | | |
| 750 | 0 | 0 | 0 | 0 | 0 | 1 | 1 | 1 | 3 | 3 | 5 | 8 | | | |
| 800 | 0 | 0 | 0 | 0 | 0 | 1 | 1 | 1 | 2 | 3 | 5 | 7 | | | |
| 900 | 0 | 0 | 0 | 0 | 0 | 1 | 1 | 1 | 2 | 3 | 5 | 7 | | | |
| 1000 | 0 | 0 | 0 | 0 | 0 | 1 | 1 | 1 | 1 | 3 | 4 | 6 | | | |
| TW, THHW, THW, THW-2 | 14 | 9 | 15 | 25 | 44 | 59 | 98 | 140 | 216 | 288 | 370 | 581 | 839 | | |
| | 12 | 7 | 12 | 19 | 33 | 45 | 75 | 107 | 165 | 221 | 284 | 446 | 644 | | |
| | 10 | 5 | 9 | 14 | 25 | 34 | 56 | 80 | 123 | 164 | 212 | 332 | 480 | | |
| | 8 | 3 | 5 | 8 | 14 | 19 | 31 | 44 | 68 | 91 | 118 | 185 | 267 | | |
| RHH*, RHW*, RHW-2* | 14 | 6 | 10 | 17 | 29 | 39 | 65 | 93 | 143 | 191 | 246 | 387 | 558 | | |
| | 12 | 5 | 8 | 13 | 23 | 32 | 52 | 75 | 115 | 154 | 198 | 311 | 448 | | |
| RHH*, RHW*, RHW-2* | 10 | 3 | 6 | 10 | 18 | 25 | 41 | 58 | 90 | 120 | 154 | 242 | 350 | | |
| | 8 | 1 | 4 | 6 | 11 | 15 | 24 | 35 | 54 | 72 | 92 | 145 | 209 | | |

| Type | Conductor Size (AWG/kcmil) | Metric Designator (Trade Size) | | | | | | | | | | | | | |
|---|----------------------------------|--------------------------------|-----|----|-------|-------|-----|-------|-----|-------|-----|-----|------|--|--|
| | | 16 | 21 | 27 | 35 | 41 | 53 | 63 | 78 | 91 | 103 | 129 | 155 | | |
| | | 1/2 | 3/4 | 1 | 1 1/4 | 1 1/2 | 2 | 2 1/2 | 3 | 3 1/2 | 4 | 5 | 6 | | |
| RHH*, RHW*, RHW-2*, TW, THW, THHW, THW-2 | 6 | 1 | 3 | 5 | 8 | 11 | 18 | 27 | 41 | 55 | 71 | 111 | 160 | | |
| | 4 | 1 | 1 | 3 | 6 | 8 | 14 | 20 | 31 | 41 | 53 | 83 | 120 | | |
| | 3 | 1 | 1 | 3 | 5 | 7 | 12 | 17 | 26 | 35 | 45 | 71 | 103 | | |
| | 2 | 1 | 1 | 2 | 4 | 6 | 10 | 14 | 22 | 30 | 38 | 60 | 87 | | |
| | 1 | 1 | 1 | 1 | 3 | 4 | 7 | 10 | 15 | 21 | 27 | 42 | 61 | | |
| | 1/0 | 0 | 1 | 1 | 2 | 3 | 6 | 8 | 13 | 18 | 23 | 36 | 52 | | |
| | 2/0 | 0 | 1 | 1 | 2 | 3 | 5 | 7 | 11 | 15 | 19 | 31 | 44 | | |
| | 3/0 | 0 | 1 | 1 | 1 | 2 | 4 | 6 | 9 | 13 | 16 | 26 | 37 | | |
| | 4/0 | 0 | 0 | 1 | 1 | 1 | 3 | 5 | 8 | 10 | 14 | 21 | 31 | | |
| | 250 | 0 | 0 | 1 | 1 | 1 | 3 | 4 | 6 | 8 | 11 | 17 | 25 | | |
| | 300 | 0 | 0 | 1 | 1 | 1 | 2 | 3 | 5 | 7 | 9 | 15 | 22 | | |
| | 350 | 0 | 0 | 0 | 1 | 1 | 1 | 3 | 5 | 6 | 8 | 13 | 19 | | |
| | 400 | 0 | 0 | 0 | 1 | 1 | 1 | 3 | 4 | 6 | 7 | 12 | 17 | | |
| | 500 | 0 | 0 | 0 | 1 | 1 | 1 | 2 | 3 | 5 | 6 | 10 | 14 | | |
| | 600 | 0 | 0 | 0 | 1 | 1 | 1 | 1 | 3 | 4 | 5 | 8 | 12 | | |
| | 700 | 0 | 0 | 0 | 0 | 1 | 1 | 1 | 2 | 3 | 4 | 7 | 10 | | |
| | 750 | 0 | 0 | 0 | 0 | 1 | 1 | 1 | 2 | 3 | 4 | 7 | 10 | | |
| | 800 | 0 | 0 | 0 | 0 | 1 | 1 | 1 | 2 | 3 | 4 | 6 | 9 | | |
| | 900 | 0 | 0 | 0 | 0 | 1 | 1 | 1 | 1 | 3 | 4 | 6 | 8 | | |
| | 1000 | 0 | 0 | 0 | 0 | 0 | 1 | 1 | 1 | 2 | 3 | 5 | 8 | | |
| THHN, THWN, THWN-2 | 14 | 13 | 22 | 36 | 63 | 85 | 140 | 200 | 309 | 412 | 531 | 833 | 1202 | | |
| | 12 | 9 | 16 | 26 | 46 | 62 | 102 | 146 | 225 | 301 | 387 | 608 | 877 | | |
| | 10 | 6 | 10 | 17 | 29 | 39 | 64 | 92 | 142 | 189 | 244 | 383 | 552 | | |
| | 8 | 3 | 6 | 9 | 16 | 22 | 37 | 53 | 82 | 109 | 140 | 221 | 318 | | |
| | 6 | 2 | 4 | 7 | 12 | 16 | 27 | 38 | 59 | 79 | 101 | 159 | 230 | | |
| | 4 | 1 | 2 | 4 | 7 | 10 | 16 | 23 | 36 | 48 | 62 | 98 | 141 | | |
| | 3 | 1 | 1 | 3 | 6 | 8 | 14 | 20 | 31 | 41 | 53 | 83 | 120 | | |
| | 2 | 1 | 1 | 3 | 5 | 7 | 11 | 17 | 26 | 34 | 44 | 70 | 100 | | |
| | 1 | 1 | 1 | 1 | 4 | 5 | 8 | 12 | 19 | 25 | 33 | 51 | 74 | | |
| | 1/0 | 1 | 1 | 1 | 3 | 4 | 7 | 10 | 16 | 21 | 27 | 43 | 63 | | |
| | 2/0 | 0 | 1 | 1 | 2 | 3 | 6 | 8 | 13 | 18 | 23 | 36 | 52 | | |
| | 3/0 | 0 | 1 | 1 | 1 | 3 | 5 | 7 | 11 | 15 | 19 | 30 | 43 | | |
| | 4/0 | 0 | 1 | 1 | 1 | 2 | 4 | 6 | 9 | 12 | 16 | 25 | 36 | | |
| | 250 | 0 | 0 | 1 | 1 | 1 | 3 | 5 | 7 | 10 | 13 | 20 | 29 | | |
| | 300 | 0 | 0 | 1 | 1 | 1 | 3 | 4 | 6 | 8 | 11 | 17 | 25 | | |
| | 350 | 0 | 0 | 1 | 1 | 1 | 2 | 3 | 5 | 7 | 10 | 15 | 22 | | |
| 400 | 0 | 0 | 1 | 1 | 1 | 2 | 3 | 5 | 7 | 8 | 13 | 20 | | | |
| 500 | 0 | 0 | 0 | 1 | 1 | 1 | 2 | 4 | 5 | 7 | 11 | 16 | | | |
| 600 | 0 | 0 | 0 | 1 | 1 | 1 | 1 | 3 | 4 | 6 | 9 | 13 | | | |
| 700 | 0 | 0 | 0 | 1 | 1 | 1 | 1 | 3 | 4 | 5 | 8 | 11 | | | |
| 750 | 0 | 0 | 0 | 0 | 1 | 1 | 1 | 2 | 3 | 4 | 7 | 11 | | | |
| 800 | 0 | 0 | 0 | 0 | 1 | 1 | 1 | 2 | 3 | 4 | 7 | 10 | | | |
| 900 | 0 | 0 | 0 | 0 | 1 | 1 | 1 | 2 | 3 | 4 | 6 | 9 | | | |
| 1000 | 0 | 0 | 0 | 0 | 1 | 1 | 1 | 1 | 3 | 4 | 6 | 8 | | | |

Reprinted with permission from NFPA 70-1999, National Electrical Code®, Copyright © 1998, National Fire Protection Association, Quincy, MA 02269. This reprinted material is not the complete and official position of the NFPA on the referenced subject, which is represented only by the standard in its entirety. National Electrical Code and NEC are registered trademarks of the National Fire Protection Association, Quincy, MA.

Note: This table is for concentric stranded conductors only. For compact stranded conductors, Table C8(A) should be used. *Types RHH, RHW, and RHW-2 without outer covering.

Robroy Conduit Pipe Fittings are manufactured in accordance with the provisions of the following specifications:

Galvanized Rigid Metal Conduit

Underwriters' Laboratories, Inc. Standard UL-6
American National Standards Institute, Inc. ANSI C80.1

Electrical Metallic Tubing

Underwriters' Laboratories, Inc. Standard UL-797
American National Standards Institute, Inc. ANSI C80.3

Aluminum Rigid Conduit

Underwriters' Laboratories, Inc. Standard UL-8
American National Standards Institute, Inc. ANSI C80.5

Intermediate Metal Conduit

Underwriters' Laboratories, Inc. Standard UL-1242
American National Standards Institute, Inc. ANSI C80.6

NEMA - NEMRA - NMG Group-NAED Associates

CSA APPROVED

- C 22.2 NO 45
- C22.2 NO 83



CONDUIT DIVISION

3159 Wilkes Power Plant Road
Avinger, Texas 75630
Telephone: 903/562-1342
Fax: 903/562-1711